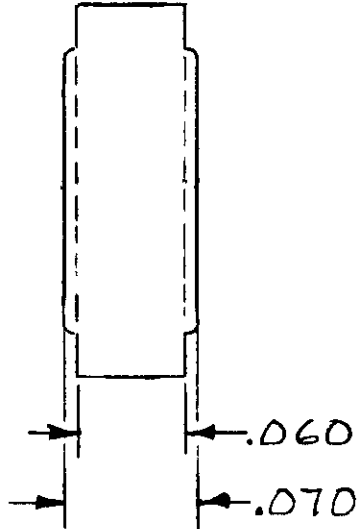
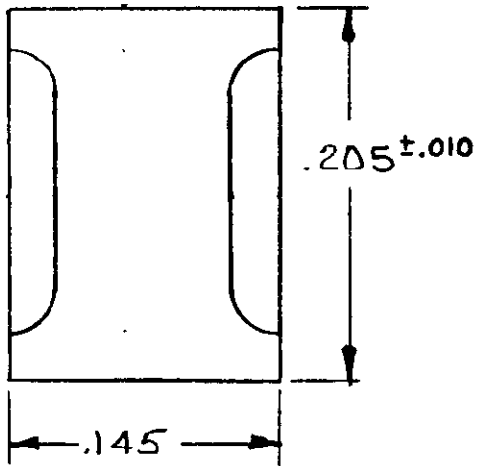


© COPYRIGHT 1975 BY AMP INCORPORATED, HARRISBURG, PA. ALL INTERNATIONAL RIGHTS RESERVED. AMP INCORPORATED PRODUCTS COVERED BY U. S. AND FOREIGN PATENTS AND /OR PATENTS PENDING.

| REVISIONS | | | |
|-----------|-------------|--------------|----------|
| LTR | DESCRIPTION | DATE | APPROVED |
| A | REV./AD0507 | SLP 11/30/84 | |

UNPUBLISHED COPY NOT TO BE REPRODUCED NOR PUBLISHED WITHOUT WRITTEN PERMISSION OF AMP INCORPORATED.

530533-1 I.A.S SHOWN



UNLESS OTHERWISE SPECIFIED DIMENSIONS ARE IN INCHES. TOLERANCES ON: DECIMALS ± .005 ANGLES ±

CONTRACT NO
 DR *Reynolds* 10-3-75
 CHK *W. Smith* 10-3-75
 APPD *W. Bushney* 10-3-75
 APPD *R. Showman* 10-6-75



MATERIAL NYLON: GLASS FILLED.

FINISH COLOR - NATURAL

NAME PLUG KEYING HI-CURRENT CONNECTOR

| | | |
|------------|---------------|---------------|
| SIZE | CODE IDENT NO | DRAWING NO |
| A | 00779 | 530533 |
| SCALE 10-1 | SHEET | |