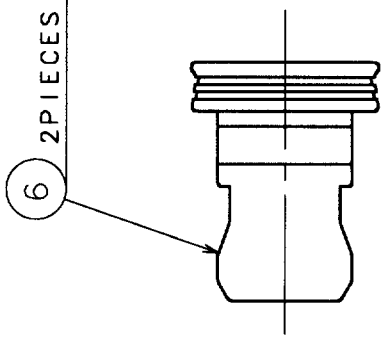
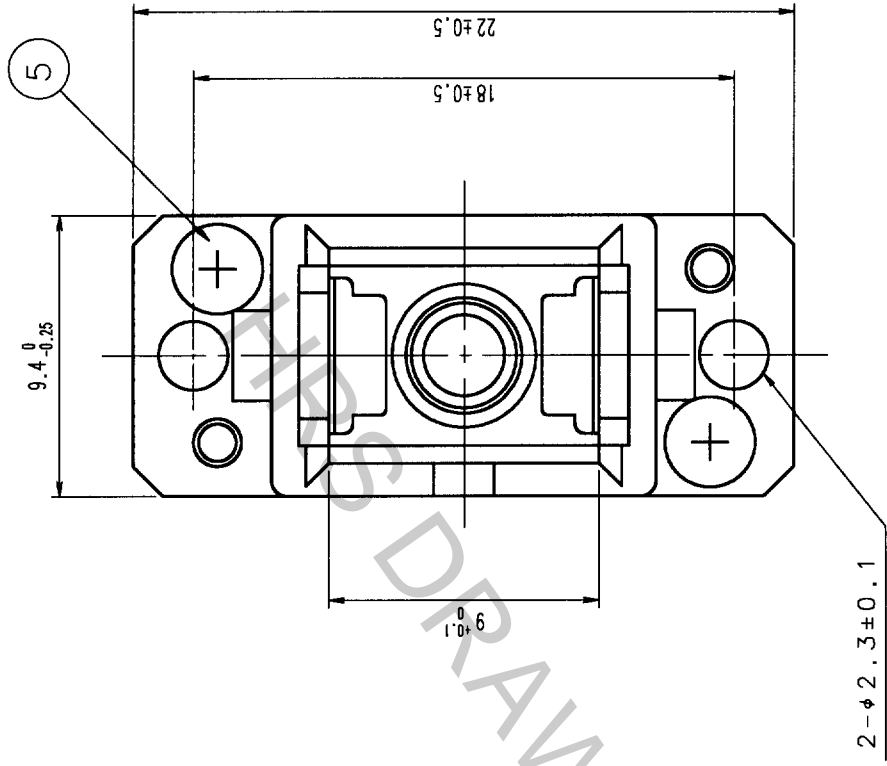
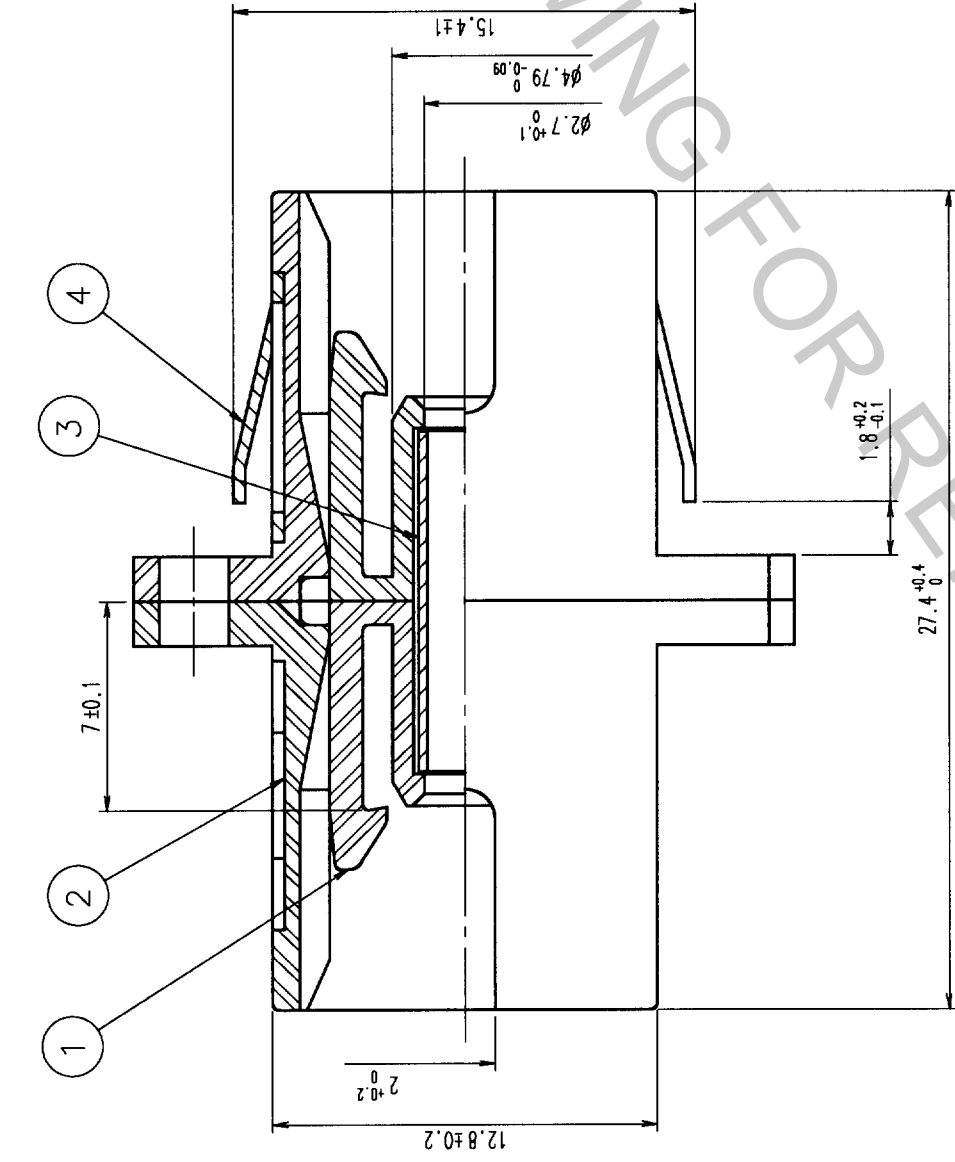
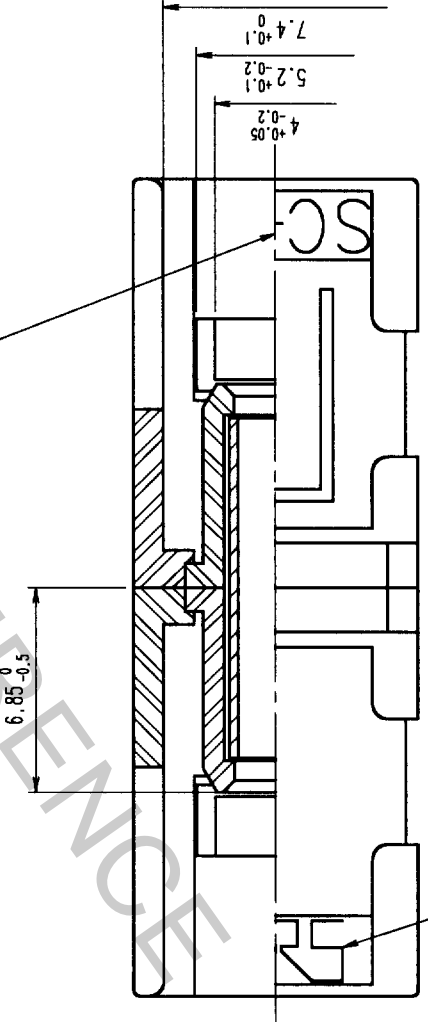


5	6	7	8
COUNT DESCRIPTION OF REVISIONS	BY CHKD	DATE	COUNT DESCRIPTION OF REVISIONS



(2:1)

ABBREVIATED MARKING OF PART NO. (SC-A)



ABBREVIATED MARKING OF CORPORATION NAME (HRS)

NOTE 1. Delivered with cap installed.

NO.	MATERIAL	FINISH, REMARKS	NO.	MATERIAL	FINISH, REMARKS
3	ZIRCONIA		6	SYNTHETIC RESIN	BLACK
2	ZINC ALLOY	NICKEL PLATED	5	BRASS	NICKEL PLATED
1	SYNTHETIC RESIN	BLUE	4	STAINLESS STEEL	

CODE NO. (OLD)	DRAWN	DESIGNED	CHECKED	APPROVED	RELEASED
	T. Ito	F. Yoshida	S. Gimm	F. Nagai	
	01.02.05	01.02.05	01.2.0	01.2.8	

DRAWING NO.	PART NO.
EDC3-170553-01	HSC-A2-D1 (01)
SCALE 4:1	CODE NO. CL704-0258-2-01
UNITS mm	

TO	
----	--