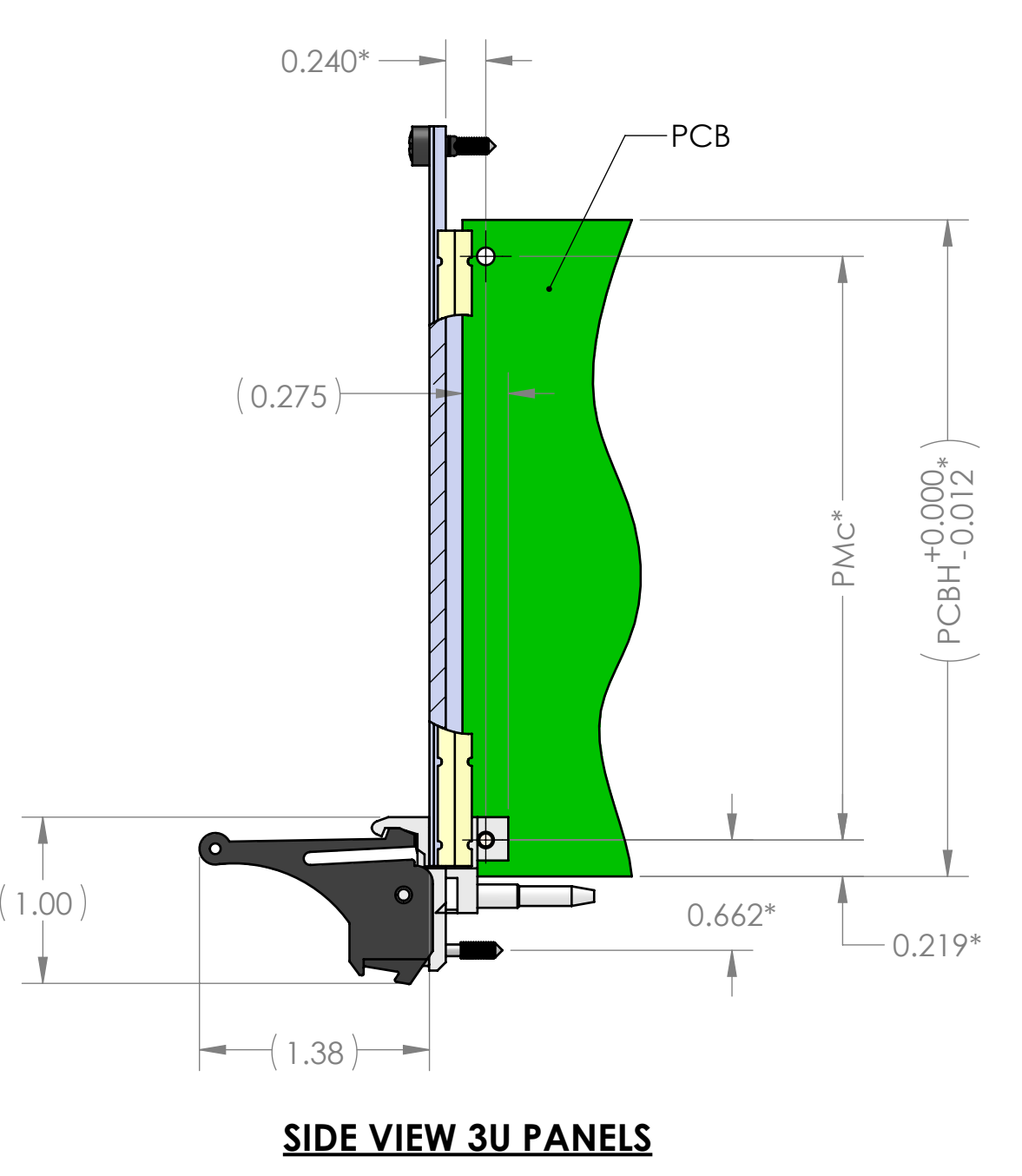
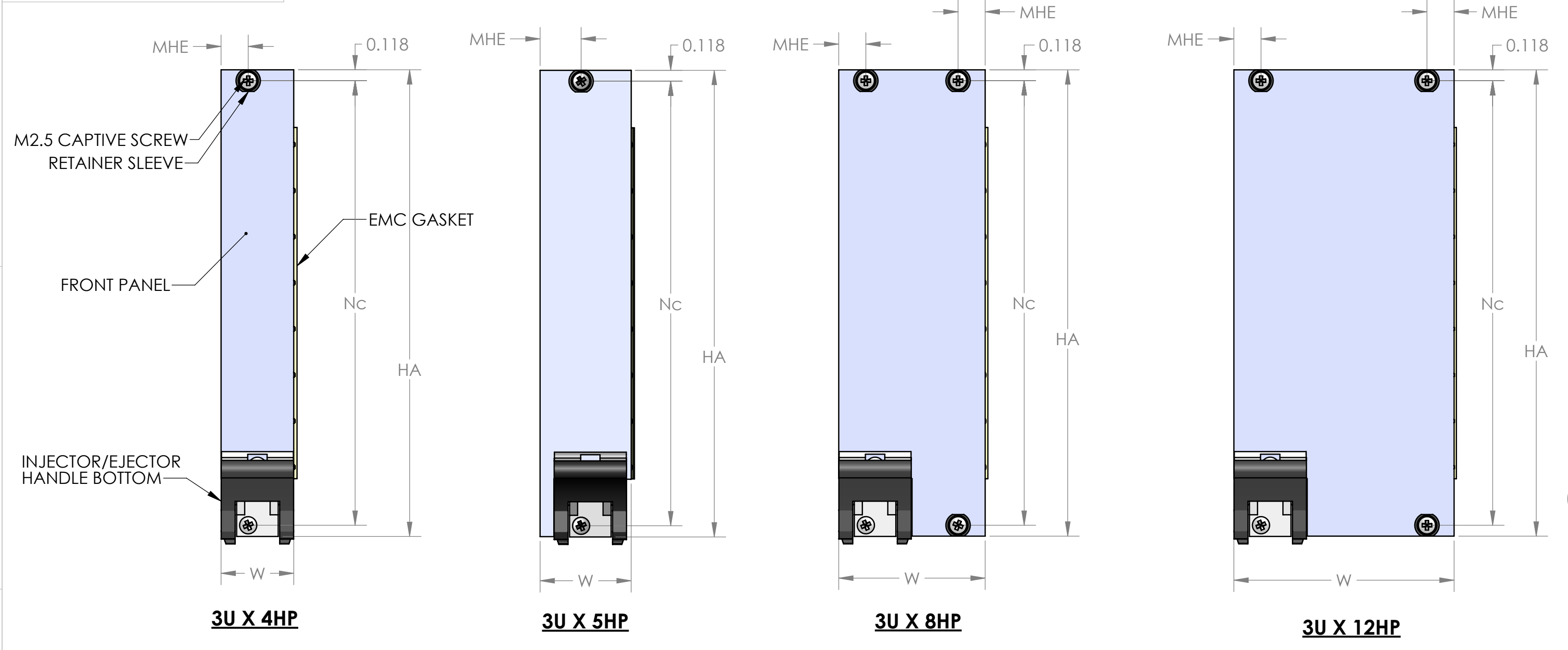


PROPRIETARY AND CONFIDENTIAL  
 THE INFORMATION CONTAINED IN THIS DRAWING IS THE SOLE PROPERTY OF VECTOR ELECTRONICS & TECHNOLOGY, INC. ANY REPRODUCTION IN PART OR AS A WHOLE WITHOUT THE WRITTEN PERMISSION OF VECTOR ELECTRONICS & TECHNOLOGY, INC. IS PROHIBITED.

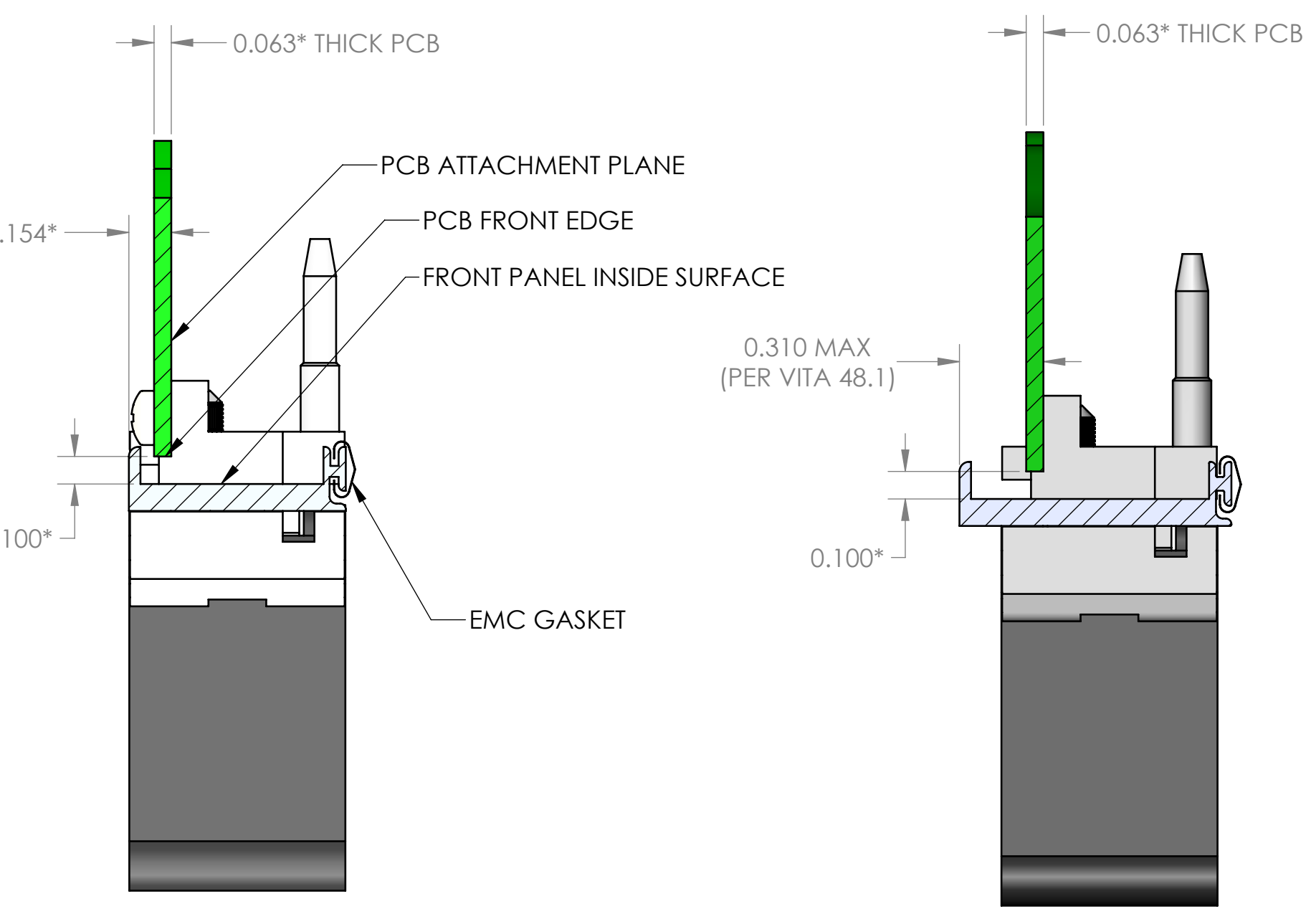
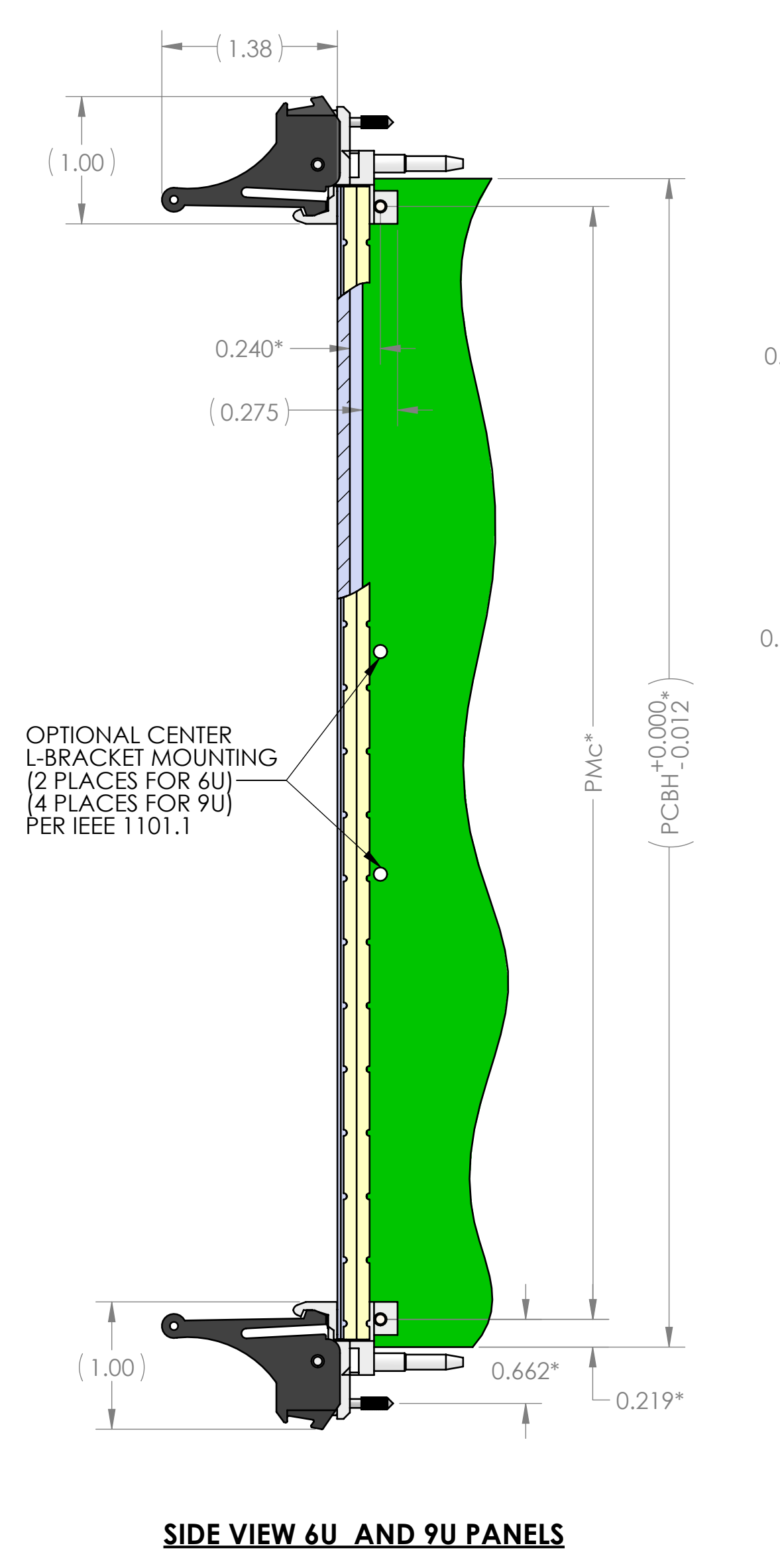
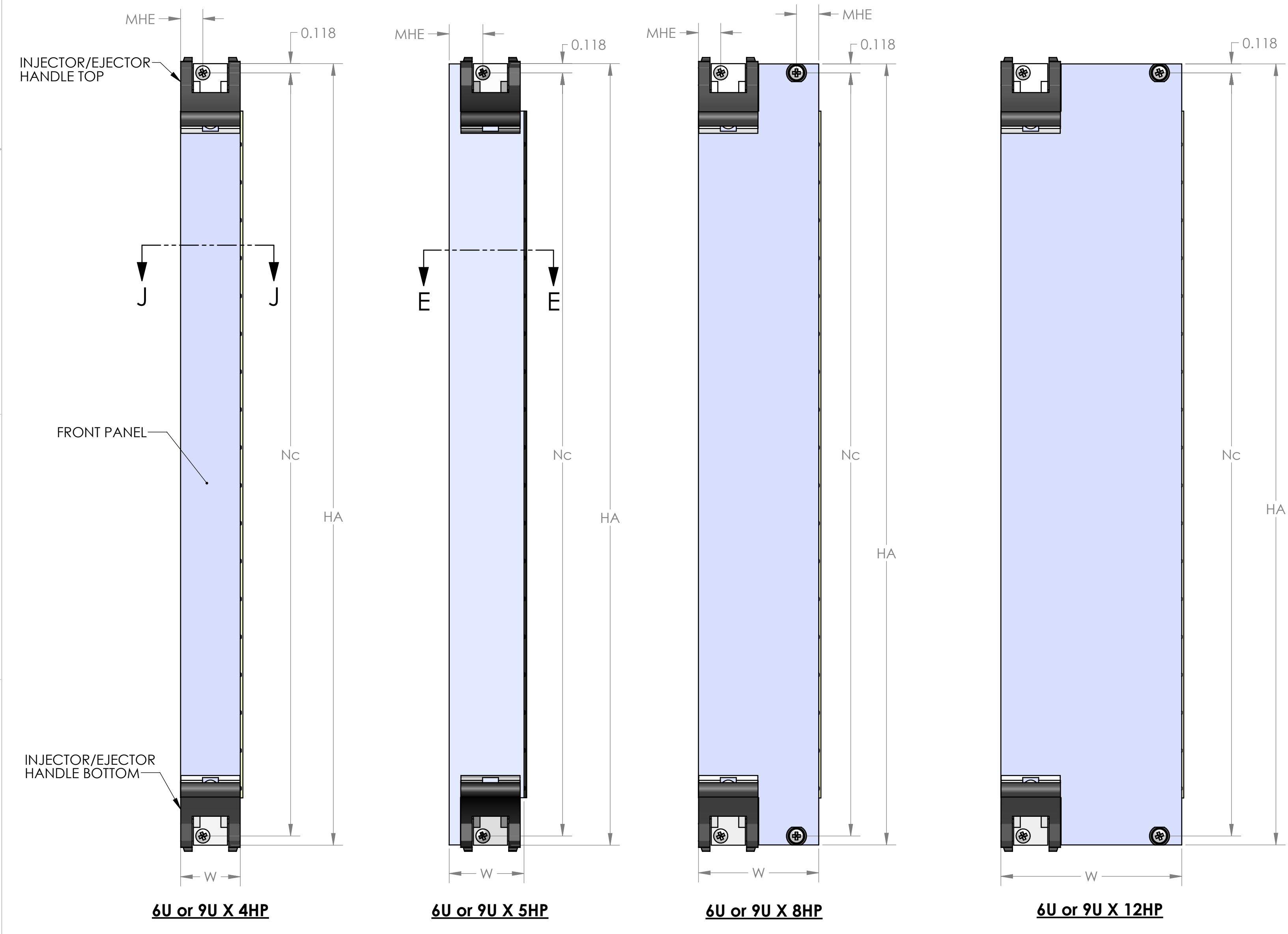
| REVISIONS |     |  |          |          |
|-----------|-----|--|----------|----------|
| ZONE      | REV | DESCRIPTION  | DATE     | APPROVED |
| ALL       | A   | INITIAL RELEASE  | 02/23/15 |          |
| SHEET 2   | B   | SHEET 2, DIM "A" FOR 3U X 4HP AND 4U OR 9U X 4HP, WAS NOTED AS DIM "H" | 04/01/15 |          |



- NOTES:  
 1. FRONT PANELS ARE SHOWN WITH TYPE IV INJECTOR/EJECTOR HANDLES  
 2. TOP/BOTTOM INJECTOR/EJECTOR HANDLES AND PCB SHOWN FOR REFERENCE ONLY. NOT PART OF FRONT PANEL KIT  
 3. \* INDICATES DIMENSIONS PER IEEE 1101.10  
 4. HEIGHT DIM "H" INCLUDES TYPE IV HANDLE'S KEYING BRACKET

DIMENSIONS TABULATION

| PART NO     | DESCRIPTION | HA     | WA    | Nc     | MHE   | PMC    | PCBH   |
|-------------|-------------|--------|-------|--------|-------|--------|--------|
| FP52B4HP-1  | 3U X 4HP    | 5.059  | 0.788 | 4.823  | 0.294 | 3.500  | 3.937  |
| FP52B5HP-1  | 3U X 5HP    |        | 0.988 |        | 0.445 |        |        |
| FP52B8HP-1  | 3U X 8HP    |        | 1.588 |        | 0.294 |        |        |
| FP52B12HP-1 | 3U X 12HP   |        | 2.388 |        | 0.294 |        |        |
| FP10B4HP-1  | 6U X 4HP    | 10.309 | 0.788 | 10.073 | 0.294 | 8.750  | 9.187  |
| FP10B5HP-1  | 6U X 5HP    |        | 0.988 |        | 0.445 |        |        |
| FP10B8HP-1  | 6U X 8HP    |        | 1.588 |        | 0.294 |        |        |
| FP10B12HP-1 | 6U X 12HP   |        | 2.388 |        | 0.294 |        |        |
| FP15B4HP-1  | 9U X 4HP    | 15.559 | 0.788 | 15.323 | 0.294 | 14.000 | 14.437 |
| FP15B5HP-1  | 9U X 5HP    |        | 0.988 |        | 0.445 |        |        |
| FP15B8HP-1  | 9U X 8HP    |        | 1.588 |        | 0.294 |        |        |
| FP15B12HP-1 | 9U X 12HP   |        | 2.388 |        | 0.294 |        |        |



**SECTION J-J**  
 FOR 3U, 6U, AND 9U  
 4HP, 8HP, 12HP WIDE PANELS  
 SCALE 2 : 1

**SECTION E-E**  
 FOR 3U, 6U, AND 9U  
 5HP WIDE PANELS  
 SCALE 2 : 1

UNLESS OTHERWISE SPECIFIED:  
 DIMENSIONS ARE IN INCHES  
 TOLERANCES:  
 DEC .X.X ±0.1  
 DEC .X.XX ±0.03  
 DEC .X.XXX ±0.010  
 FRACTIONS ±0.050  
 ANGLES ±1°  
 THIRD ANGLE PROJECTION

| NAME    | DATE     |
|---------|----------|
| TRISHAR | 02/23/15 |

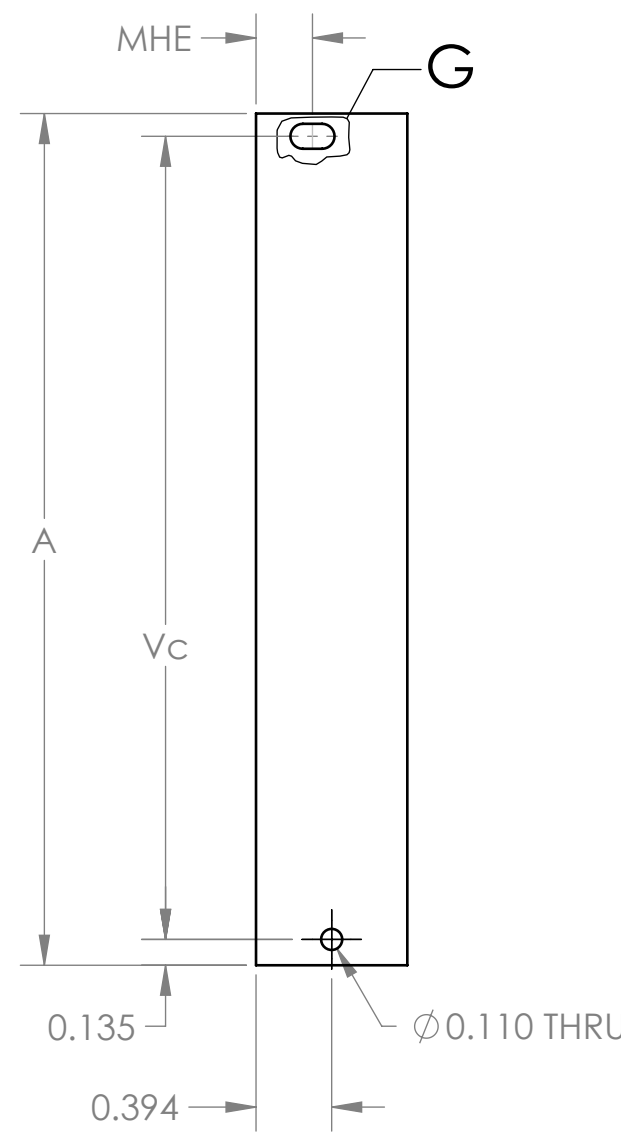
**VECTOR** ELECTRONICS & TECHNOLOGY, INC. 81115 VANOWEN ST., NORTH HOLLYWOOD, CA 91365

**EMC FRONT PANEL, 1101.10**

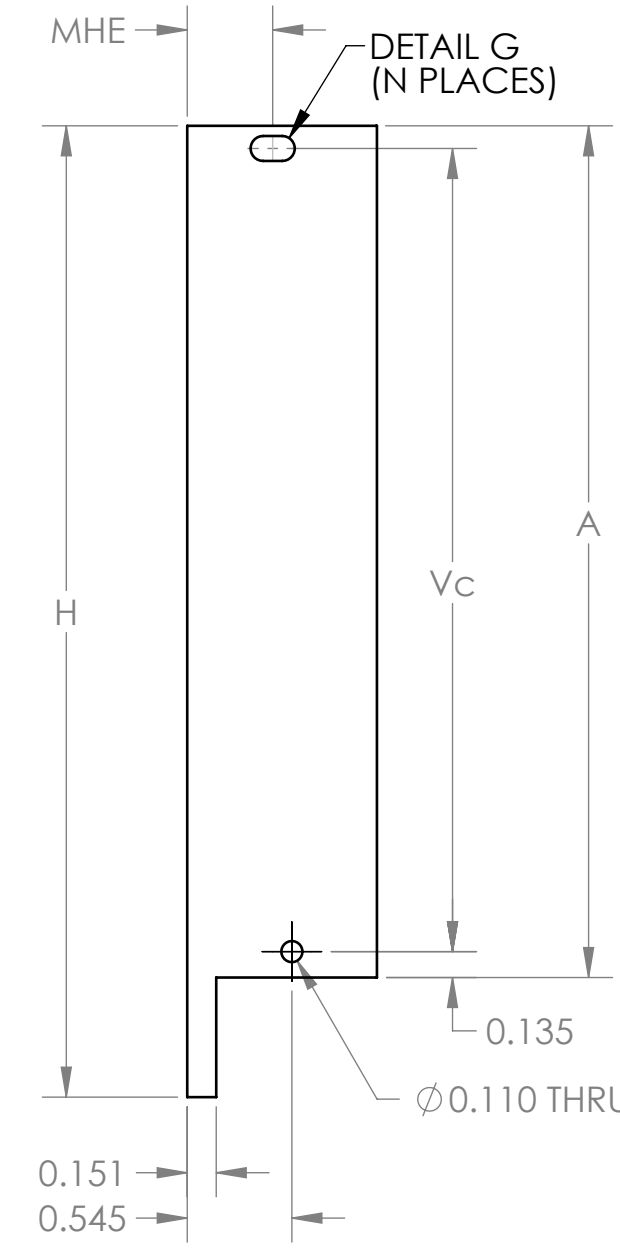
MATERIAL: \_\_\_\_\_  
 FINISH: \_\_\_\_\_

COMMENTS:  
 Q.A.  
 G.A.

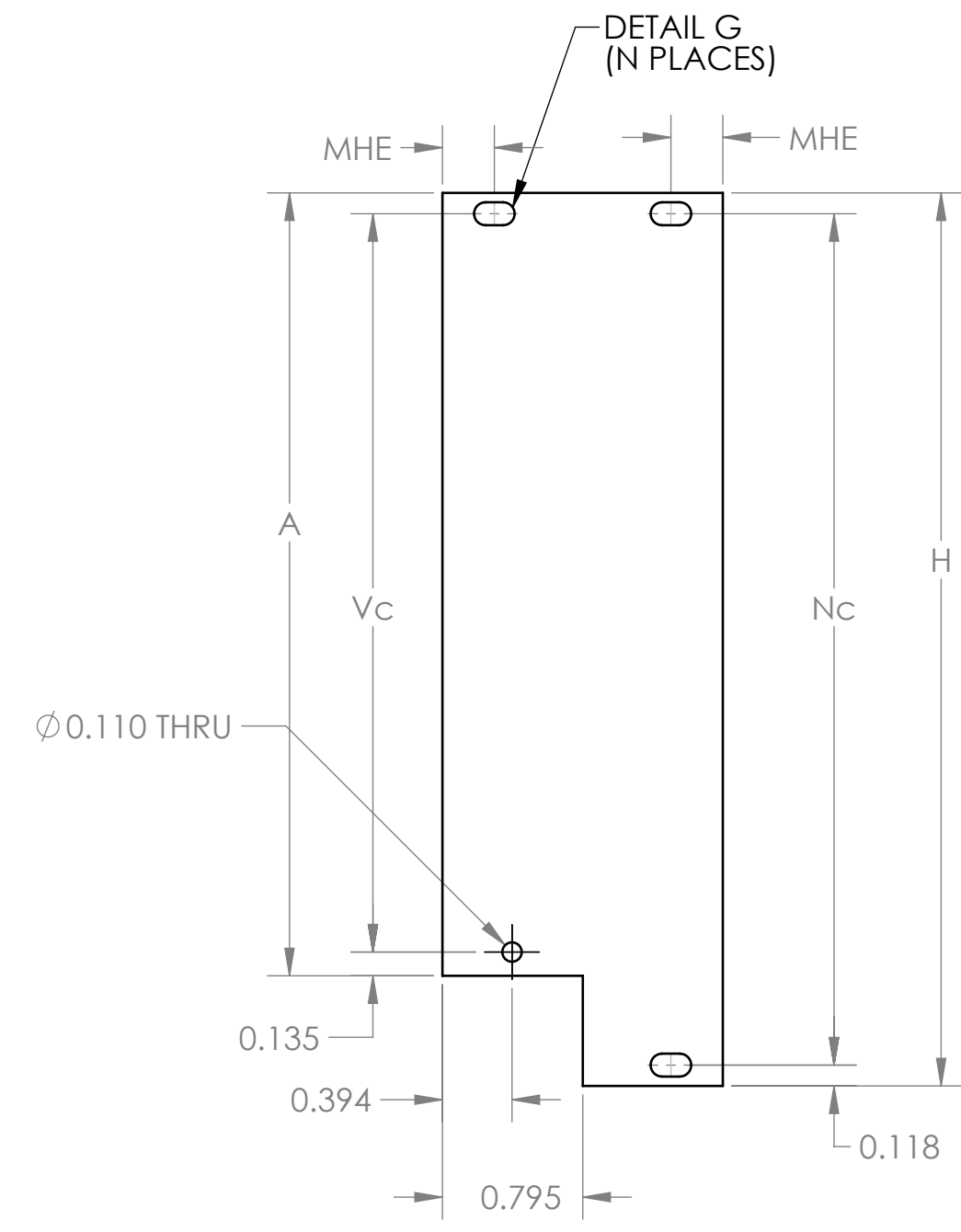
SIZE: **D** DWG. NO.: **FPXXBXHP-1** REV: **B**  
 SCALE: 1:1 CAGE CODE: 82893 SHEET 1 OF 2



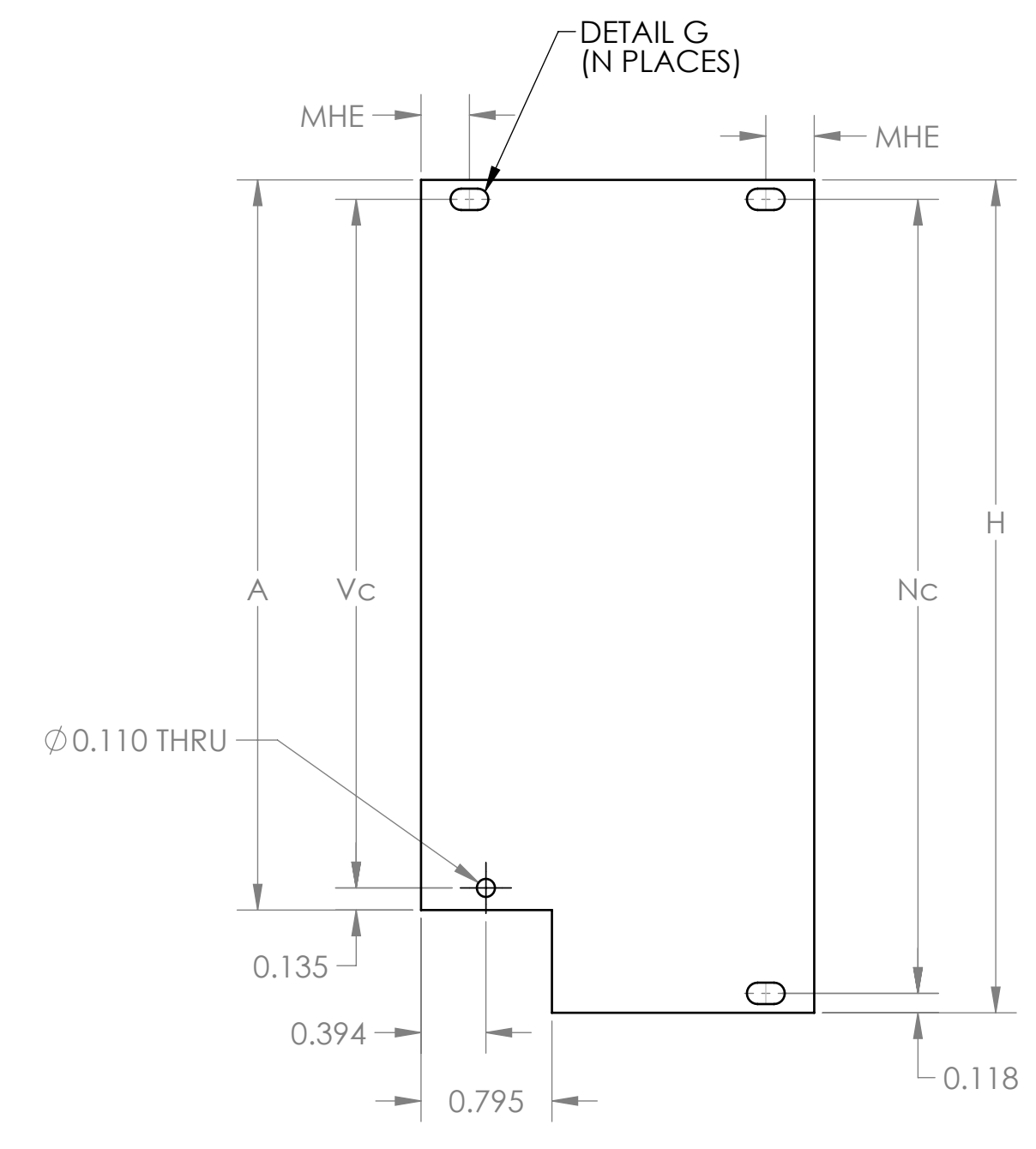
**3U X 4HP**



**3U X 5HP**



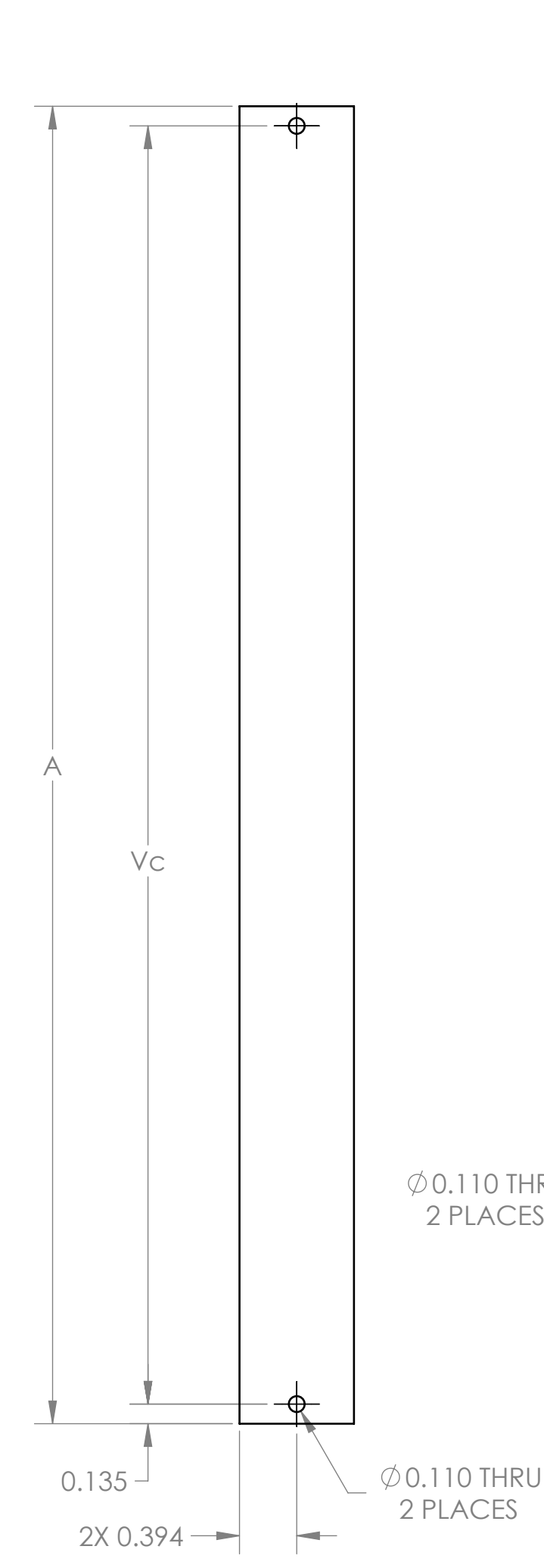
**3U X 8HP**



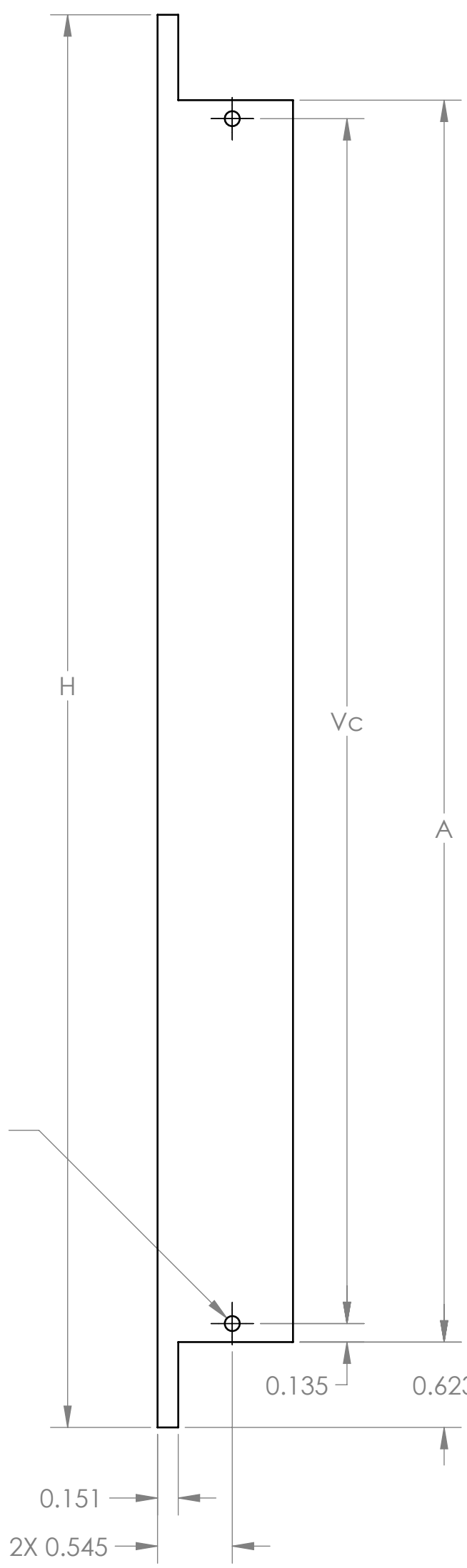
**3U X 12HP**

- NOTES:  
 1. MATERIAL : ALUMINUM EXTRUSION, 6063-T5  
 2. FRONT SURFACE GRAINED IN DIRECTION OF MATERIAL GRAIN  
 3. FINISH : CLEAR CHEM FILM, MIL-C-5541, CLASS 3

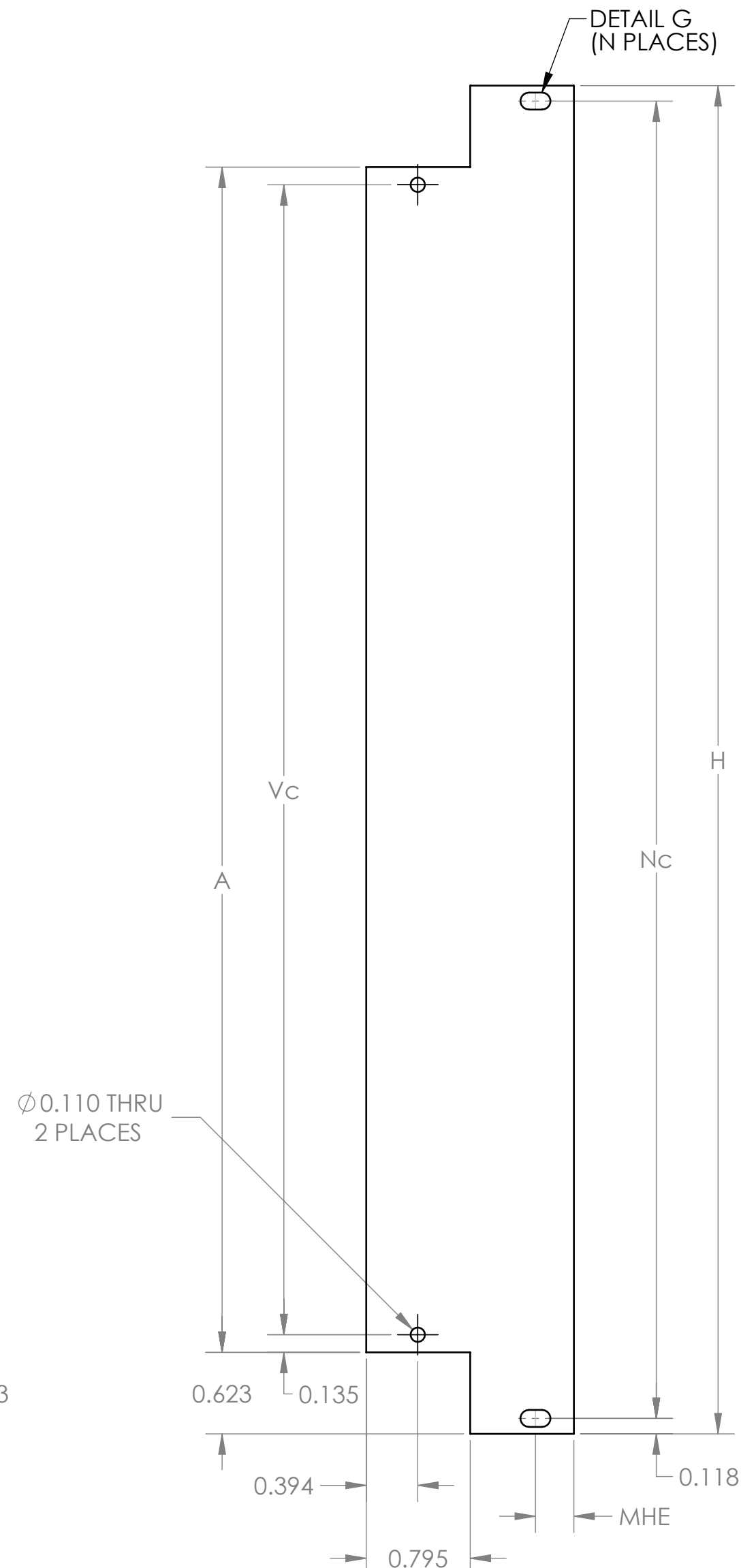
|             |             | DIMENSIONS TABULATION |       |       |        |        |        |          |
|-------------|-------------|-----------------------|-------|-------|--------|--------|--------|----------|
| PART NO     | DESCRIPTION | H                     | W     | MHE   | Nc     | Vc     | A      | PLACES N |
| FP52B4HP-1  | 3U X 4HP    | -                     | 0.788 | 0.294 | -      | 4.183  | 4.436  | 1        |
| FP52B5HP-1  | 3U X 5HP    | -                     | 0.988 | 0.445 | -      |        |        | 1        |
| FP52B8HP-1  | 3U X 8HP    | 5.059                 | 1.588 | 0.294 | 4.823  |        |        | 3        |
| FP52B12HP-1 | 3U X 12HP   | -                     | 2.388 | 0.294 | 4.823  | -      | -      | 3        |
| FP10B4HP-1  | 6U X 4HP    | -                     | 0.788 | -     | -      | 8.793  | 9.063  | -        |
| FP10B5HP-1  | 6U X 5HP    | -                     | 0.988 | -     | -      |        |        | -        |
| FP10B8HP-1  | 6U X 8HP    | 10.309                | 1.588 | 0.294 | 10.073 |        |        | 2        |
| FP10B12HP-1 | 6U X 12HP   | -                     | 2.388 | 0.294 | 10.073 | -      | -      | 2        |
| FP15B4HP-1  | 9U X 4HP    | -                     | 0.788 | -     | -      | 14.043 | 14.313 | -        |
| FP15B5HP-1  | 9U X 5HP    | -                     | 0.988 | -     | -      |        |        | -        |
| FP15B8HP-1  | 9U X 8HP    | 15.559                | 1.588 | 0.294 | 15.323 |        |        | 2        |
| FP15B12HP-1 | 9U X 12HP   | -                     | 2.388 | 0.294 | 15.323 |        |        | 2        |



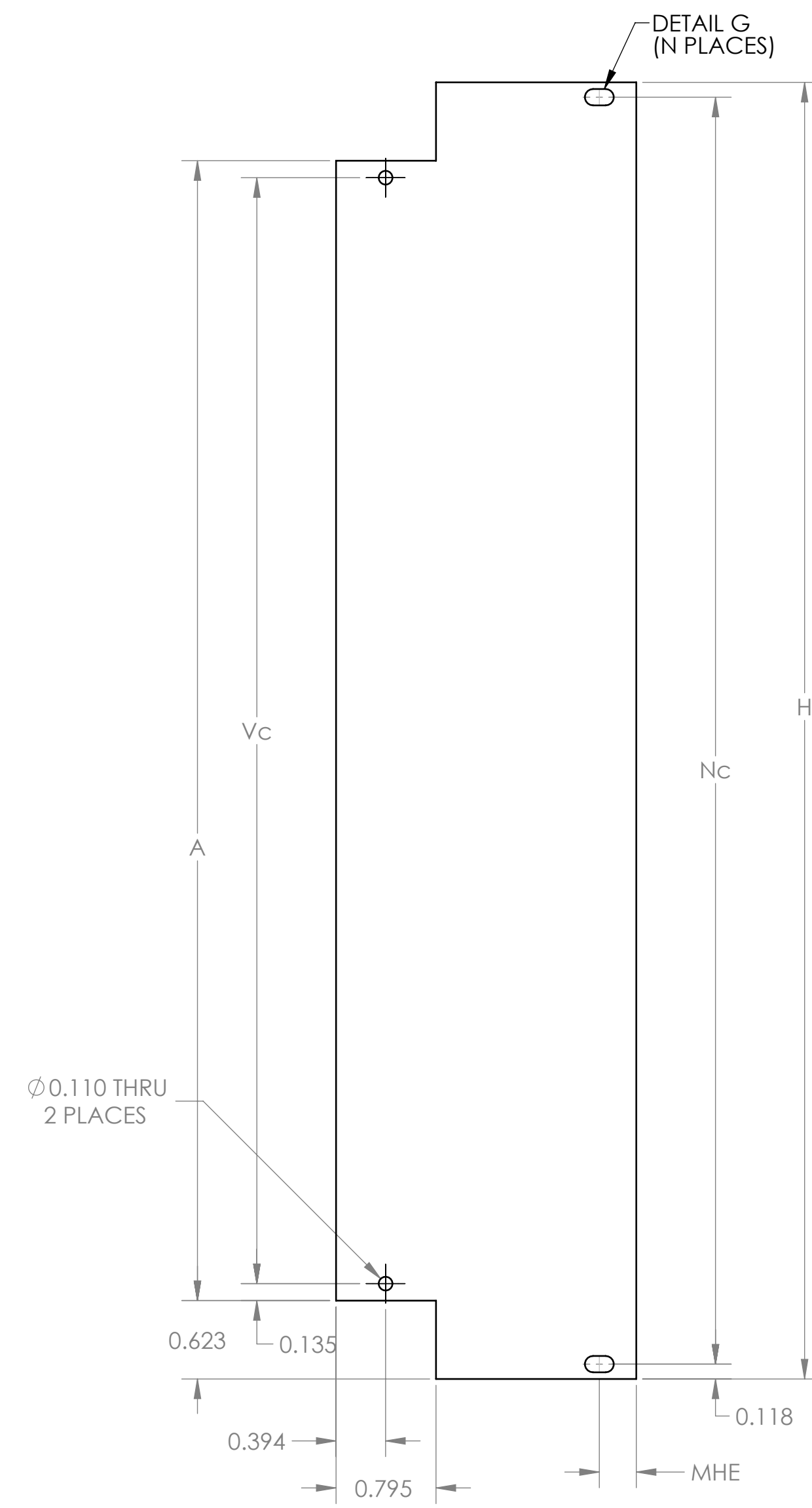
**6U or 9U X 4HP**



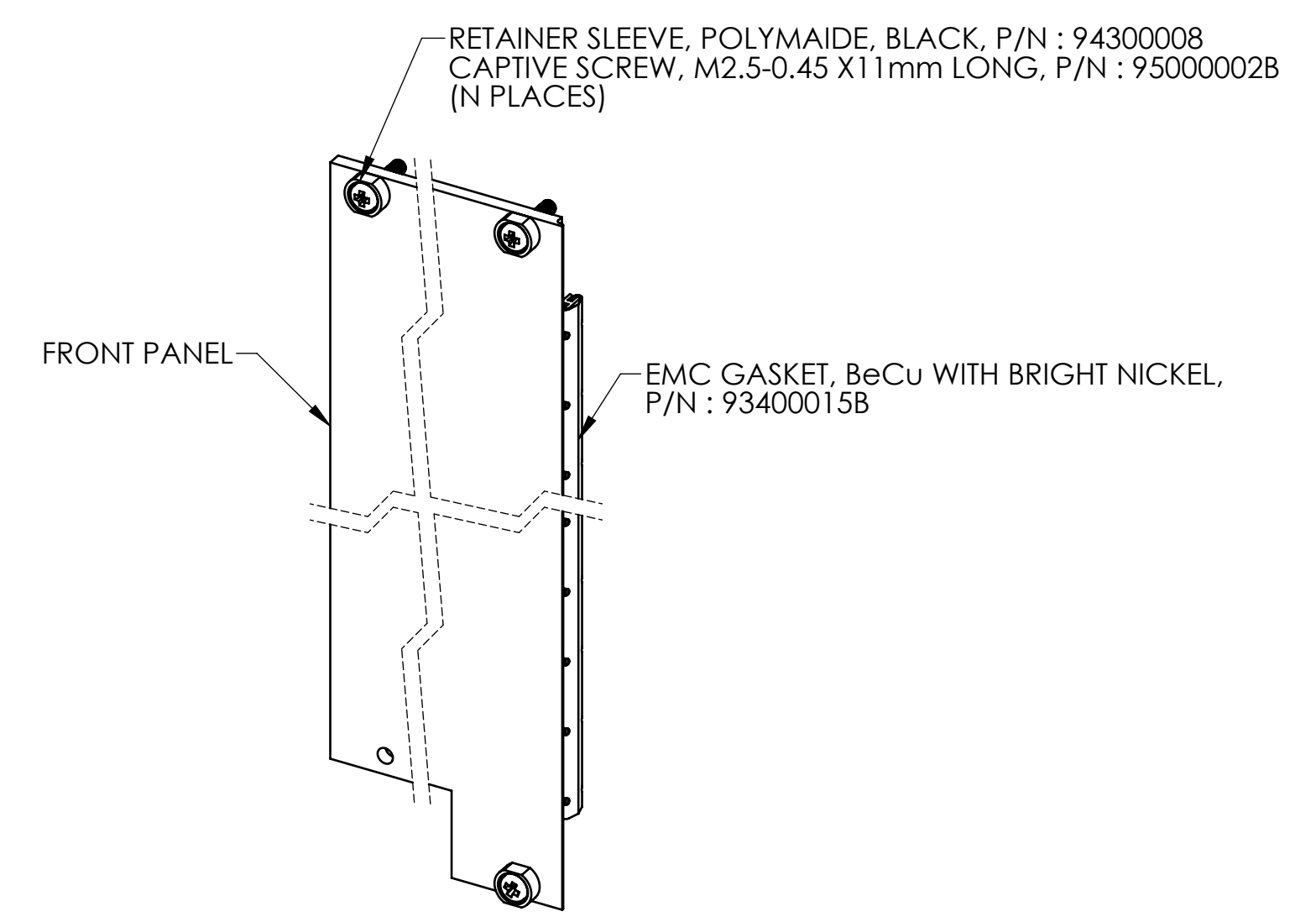
**6U or 9U X 5HP**



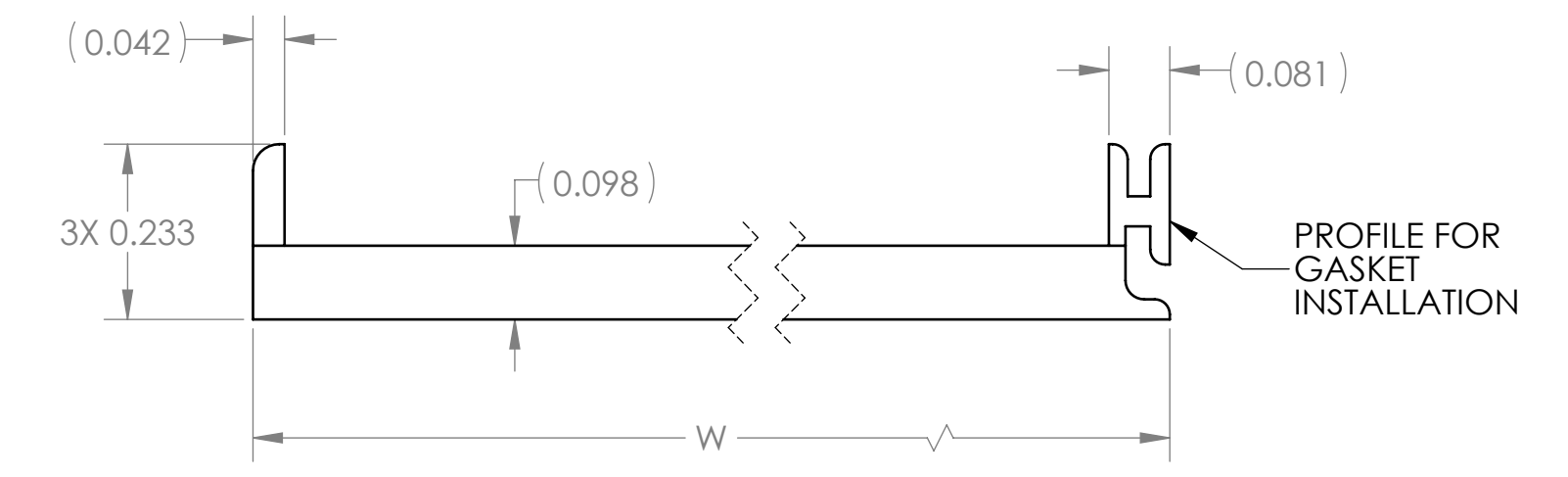
**6U or 9U X 8HP**



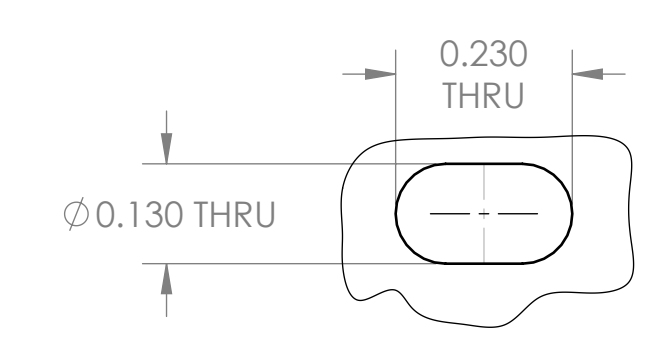
**6U or 9U X 12HP**



**FPXXAXHP-1 FRONT PANEL ASSY**



**PANEL PROFILE DETAIL**



**DETAIL G**  
SCALE 4 : 1

**VECTOR** 11115 VANOWEN ST. NORTH HOLLYWOOD, CA 91605  
 ELECTRONICS & TECHNOLOGY, INC. www.vectorsect.com

**EMC FRONT PANEL, 1101.10**

|      |            |     |
|------|------------|-----|
| SIZE | DWG. NO.   | REV |
| D    | FPXXBXHP-1 | B   |

SCALE: 1:1 | CAGE CODE : 82893 | SHEET 2 OF 2