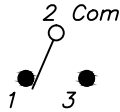


RECOMMENDED P.C.B. LAYOUT



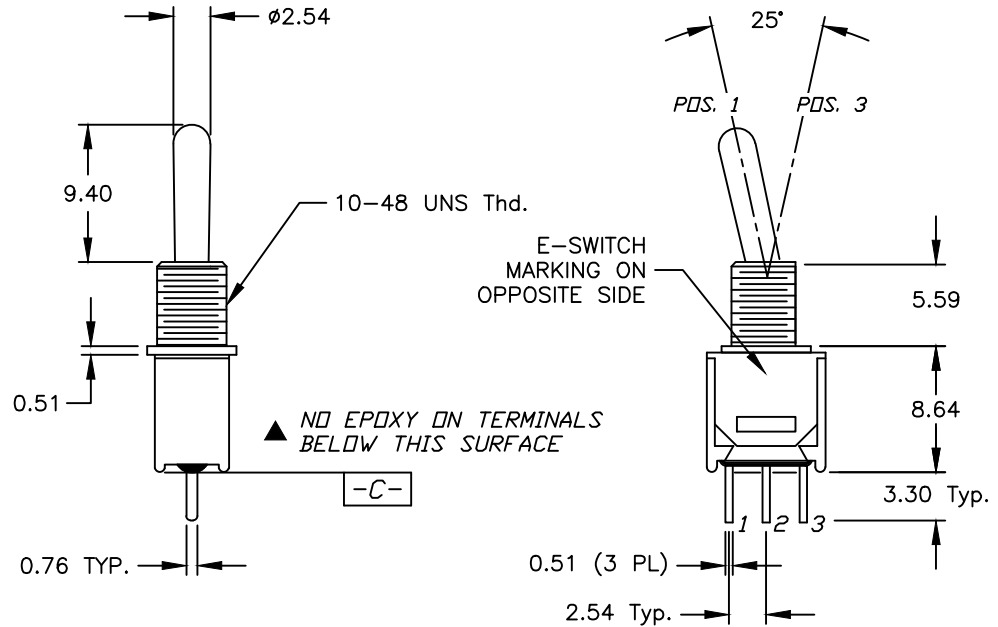
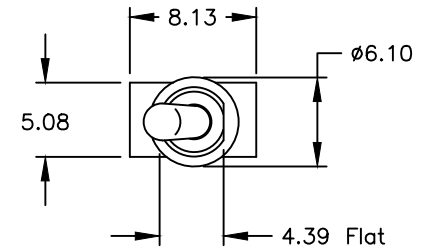
CIRCUIT: SPDT
CONTACT CONFIGURATION

SWITCH FUNCTION		
PDS. 1	PDS. 2	PDS. 3
DN	NONE	<DN>
2-3	OPEN	2-1

< >=Momentary

NOTES:

1. ALL DIMENSIONS IN MM
2. GENERAL TOLERANCE: X.X=±0.4
X.XX=±0.25
3. TERM. NOS. FOR REF. ONLY
4. CONTACT RATING: 0.4(VA) @20V max. (AC or dC)
- ▲ 5. FIXED TERMINAL & MOVING CONTACT:
Copper Alloy w/Gold plate over Nickel plate.
6. ELECTRIC LIFE: 30,000 make-and-break cycles at full load.
7. INSULATION RESISTANCE: 1,000 M ohm min.
8. DIELECTRIC STRENGTH: 1,000 V RMS @sea level.
9. OPERATING TEMP.: -30°C to 85°C
10. HARDWARE TO BE SHIPPED BULK
T200000-LOCK WASHER-QTY-1
T200002-LOCK RING-QTY-1
T200001-HEX NUT-QTY-2



B	21944	Correct Hardware Note 10	8/5/15	MW
A	15317	RELEASED FOR PRODUCTION	9/23/05	PH
REV.	ECN No.	DESCRIPTION	DATE	CHKD

TITLE					200MSP2T1B1M2REH				
SCALE	DATE	DR	DWG	REV					
2:1	9/23/05	PH	ST212033	B					

THE INFORMATION CONTAINED IN THIS DOCUMENT IS PROPRIETARY TO E-SWITCH AND IS NOT TO BE COPIED OR TRANSFERRED