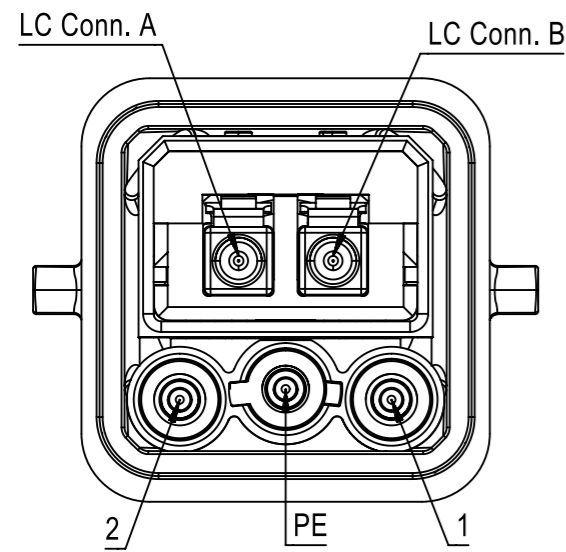


X

X(2:1)

(without FO protection cap)

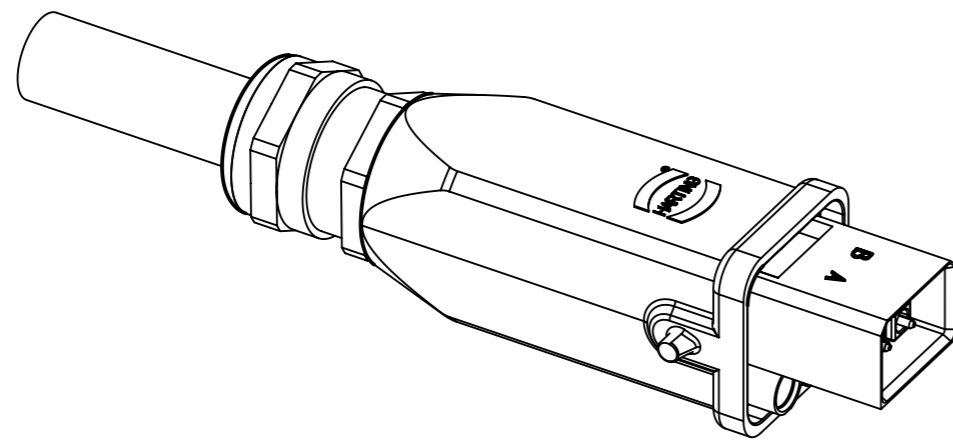


Loading-Plan

Shield (not connected)

- A — Orange
- B — Blue
- 1 — Black
- 2 — Blue
- PE — Green-Yellow

-Insertion loss must be tested 100%
 -Return loss must be tested at least by random samples



9	33571113005002	Hybrid cable 2xFO - 3x2.5/3.5	300±3
8	33571111005002		100±1
7	33571110605002		60±0.6
6	33571110505002		50±0.5
5	33571110405002		40±0.4
4	33571110205002		20±0.2
3	33571110105002		10±0.1
2	33571110055002		5±0.05
1	33571110015002		1±0.01
Cont No.	Part-No.	Type of cable	Dim.a

	All rights reserved Department EC PD - RO	All Dimensions in mm Original Size DIN A3		Scale 1:1	Free size tol.	Ref. Sub.
		Created by OLESCHR	Inspected by AVRAM	Standardisation HOFFMANN	Date 2013-05-16	State Final Release
HARTING Electronics GmbH D-32339 Espelkamp		Title Hybrid cable assembly			Doc-Key / ECM-Nr. 100183341/UGD/035/A 50000062109	
		Type TB	Number 3357111XXX5002		Rev. A	Page 1/1