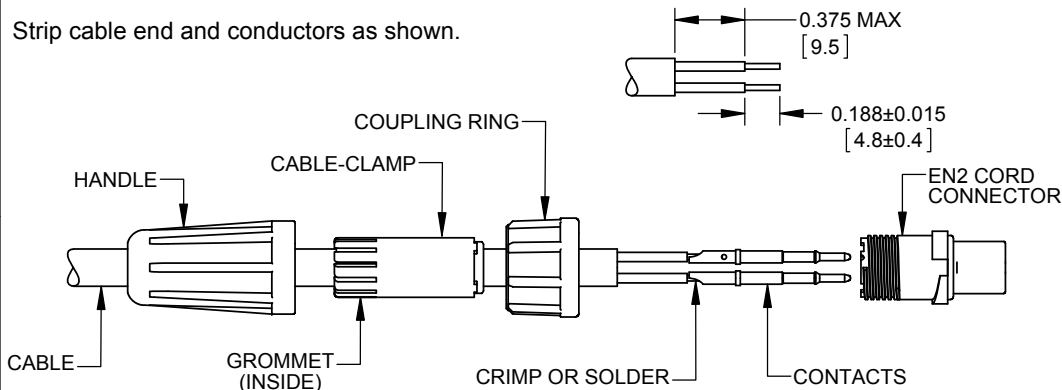


**CONTACT ARRANGEMENTS  
CORD CONNECTOR REAR (WIRING SIDE) VIEW**

**EN2 CORD CONNECTOR FIELD ASSEMBLY INSTRUCTIONS:**

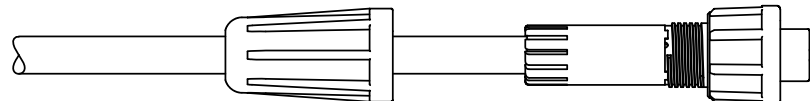
Feed the free end of cable through the handle, cable-clamp/grommet, and coupling ring in the order shown.

Strip cable end and conductors as shown.



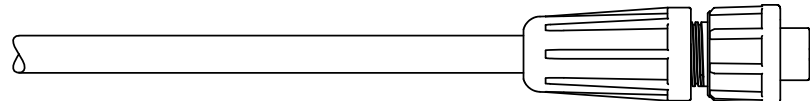
Soldering or crimping conductors to contacts is recommended before insertion into connector. If crimping, use hand or pneumatic crimp tool with crimp positioner per contact size. If soldering after contacts are inserted in the connector, limit exposure of contacts to soldering iron temperature to 4 sec. maximum. Soldering iron temperature should not exceed 650°F (343°C).

Insert wired contacts into connector housing using an insertion tool and per contacts arrangements.

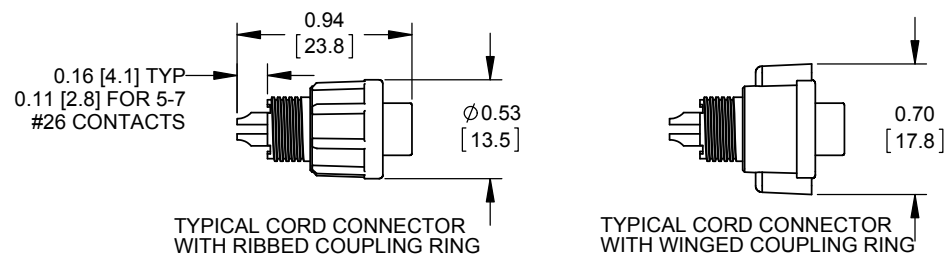


Align coupling ring over housing and bring forward.

Align cable-clamp/grommet on the rear of housing. Make certain grommet is completely inside the cable-clamp in the final position.

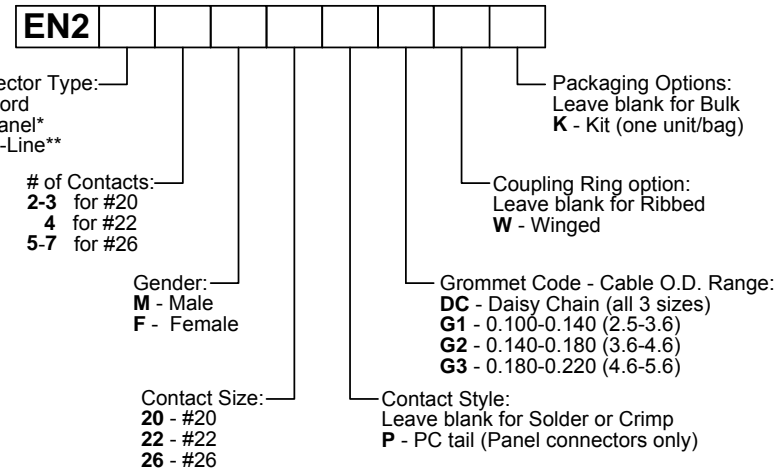


Bring forward and thread handle onto housing until tight. Do not exceed 2 in-lb torque.

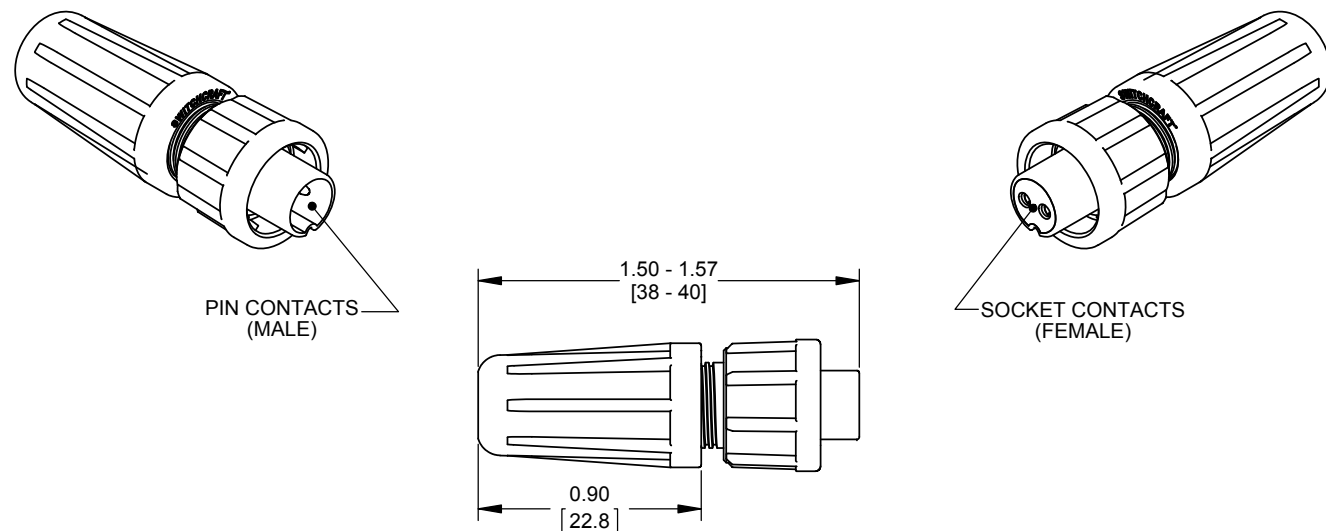


TOOL	TOOL TYPE	POSITIONER	CONTACT SIZE	WIRE SIZES
EN3CR	HAND CRIMP TOOL	EN2POS20	20 and 22	20 and 22 AWG
		EN3POS26	26	26, 28, and 30 AWG
EN3CRAUTO	PNEUMATIC CRIMP TOOL	EN2POS20	20 and 22	20 and 22 AWG
		EN3POS26	26	26, 28, and 30 AWG
EN2CRL	HAND CRIMP TOOL LARGE FRAME	EN2POS20L	20 and 22	20, 22, 24, and 26 AWG
EN2CRAUTOL	PNEUMATIC CRIMP TOOL LARGE FRAME			
EN3INS20	CONTACT	--	20 and 22	--
EN3INS26	INSERTION/EXTRACTION	--	26	--

**PART NUMBER SCHEME:**



\* for mating Panel-mount connectors refer to EN2P SERIES drawing.  
\*\* Mating In-Line connectors not currently available.



ALL DIMENSIONS FOR REFERENCE ONLY

CUSTOMER DRAWING

**SPECIFICATIONS:**

**MECHANICAL**  
Life: 600 cycles minimum  
Vibration: Mil-Std 202G Method 201A  
Hex Nut Tongue: 5-6 in-lb

**ELECTRICAL**  
Voltage Rating: 250 V AC/DC for 2 contact arrangement  
125 V AC/DC for 3-7 contact arrangements  
Insulation Resistance: 1000 MΩ minimum  
Contact Resistance: 10 mΩ maximum  
Current Rating: Refer to Current Rating Table

**ENVIRONMENTAL**  
Operating Temperature Limits: -40°C to +85°C (-40°F to +185°F), see Current Rating Table.  
Moisture Resistance: Mil-Std 202G Method 106G  
Insulation Resistance: Mil-Std 202G Method 302  
Thermal Shock: Mil-Std 202G Method 107G  
Salt Atmosphere (Corrosion): Mil-Std 202G Method 101E  
Wear/tight Ratings:  
IP16, IP18, IP66, IP67, IP68 per IEC60529  
NEMA 250 (6P), CFR 46 Part 110.20

**MATERIAL**  
Connector Housing ----- Thermoplastic, black  
Hex Nut ----- Thermoplastic, black  
Coupling Ring ----- Thermoplastic, black  
Cable Clamp ----- Thermoplastic, black  
Handle (back-shell) ----- Thermoplastic, black  
Insulator ----- Elastomer, black  
Seal Grommet ----- Elastomer, black  
Contacts ----- Copper Alloy, plated

Contacts	Wire (awg)	Current Rating (A) at Operating Temperature (°C)				
		45°C max.	55°C max.	65°C max.	75°C max.	85°C max.
2 #20	20	7	6	5	4	3.5
	22	5.5	5	4	3	2.5
	24	5.5	5	4	3	2.5
	26	4	3.5	2.5	2	1
3 #20	20	6.5	5.5	4.5	3.5	2
	22	5	4.5	3.5	3	1.5
	24	5	4.5	3.5	3	1.5
	26	3	2.5	2	1.5	0.5
4 #22	20	5	4.5	3.5	3	1.5
	22	4.5	4	3	2	1
	24	4.5	4	3	2	1
	26	3	2.5	2	1.5	0.5
5-7 #26	26	3	2.5	2	1.5	1
	30	2	1.5	1	0.5	0.5

REV	ECO NUMBER	DATE	BY	APVD
0C	SPECS UPDATED	09/20/12	PNK	SRC
0B	TOOLS REVISED	05/14/12	PNK	*
0A	PRELIMINARY	02/08/12	PNK	*
REVISIONS				

SIZE	WIDTH	MULT	LBS/M	TEMPER
UNLESS OTHERWISE SPECIFIED				
1. ALL DIMENSIONS IN INCHES				
- TWO PLACE DECIMALS ±0.02				
- THREE PLACE DECIMALS ±0.005				
FINISH SPEC No.	FIRST USED ON		SCALE 1.5:1	
DATE DRAWN	BY	CHKD	APVD	
02/08/12	PNK	PNK	SRC	
02/08/12	02/08/12	02/08/12		
NAME			PART No.	REV
EN2C SERIES CONNECTORS, RoHS			EN2C SERIES	0C

