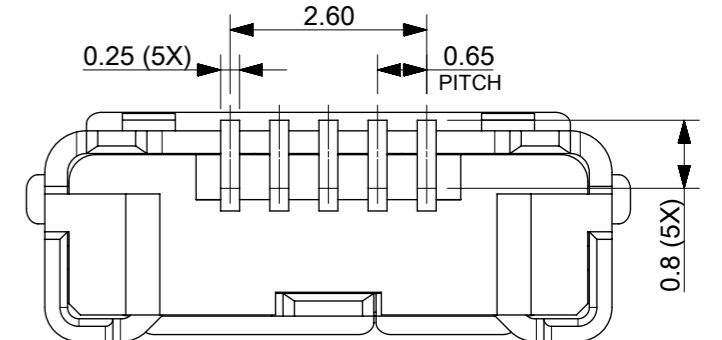
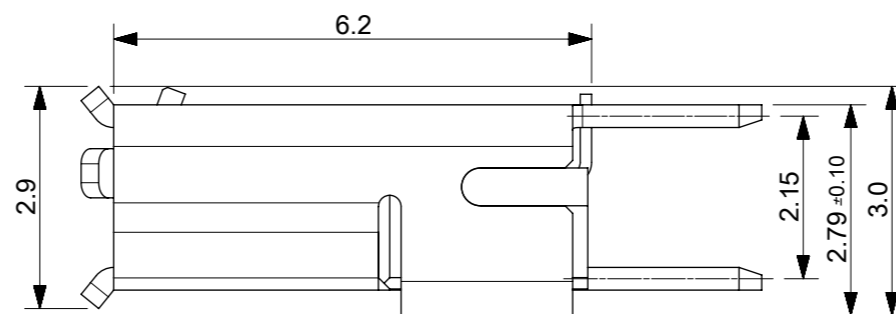
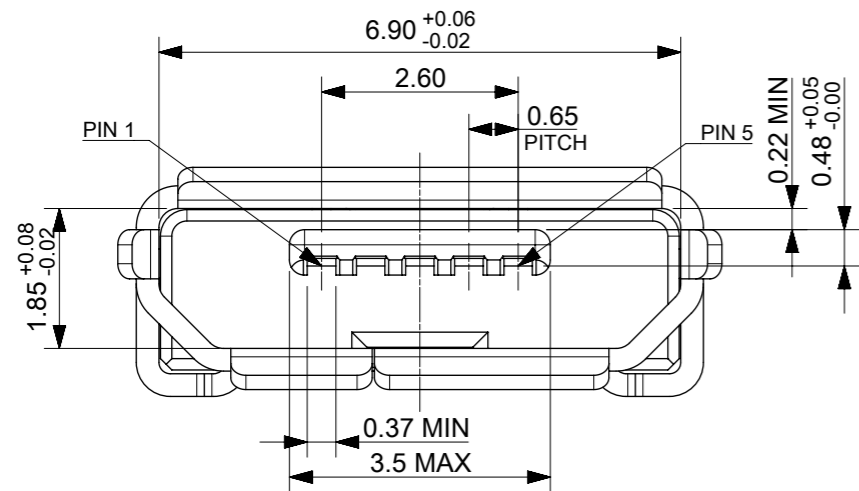


RECOMMENDED PCB LAYOUT (THICKNESS: 1.6mm)
GENERAL TOLERANCE: ±0.05

PIN	NAME
5	GND
4	ID
3	D+
2	D-
1	VBUS

PIN ASSIGNMENT



105133-0002	1.70
105133-0001	2.30
PART NUMBER	DIM A

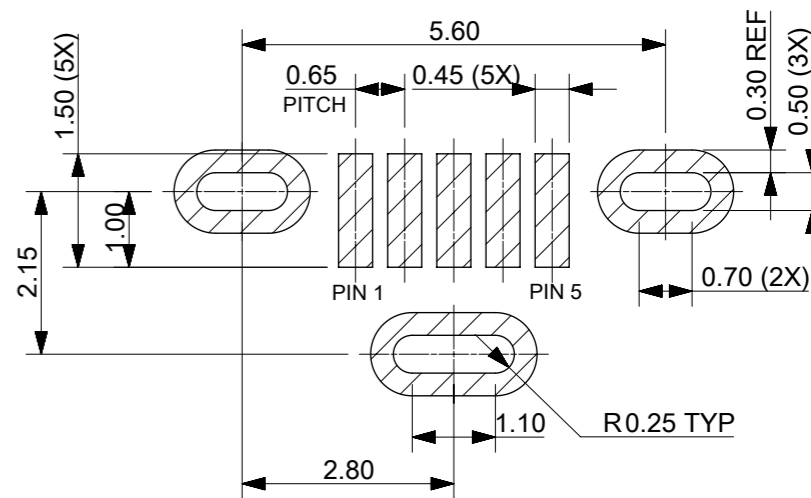
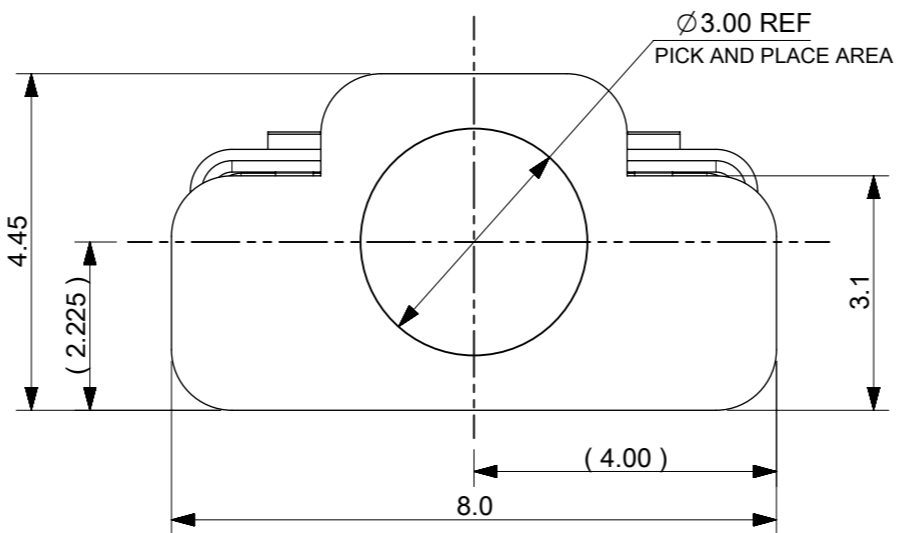
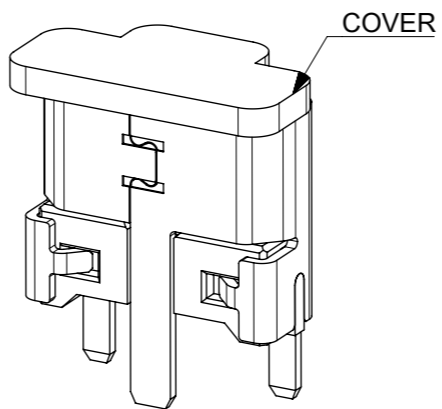
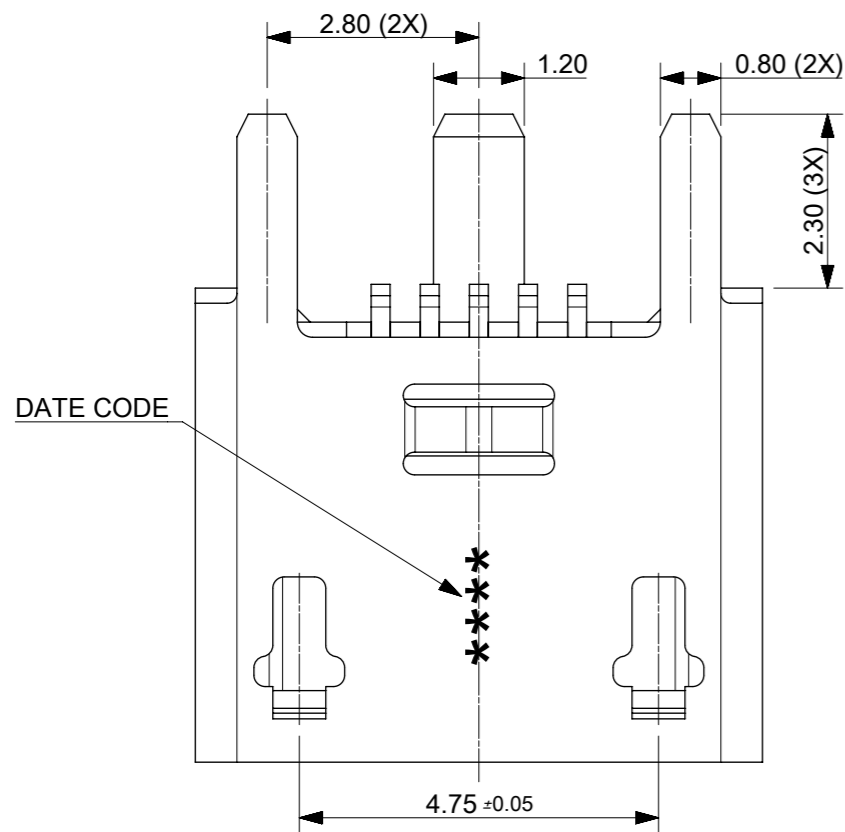
NOTES:

- MATERIAL:
HOUSING & COVER: HIGH TEMPERATURE THERMOPLASTIC, BLACK, UL94V-0;
TERMINAL: COPPER ALLOY, THICKNESS: 0.15mm;
SHELL: STAINLESS STEEL, THICKNESS: 0.30mm.
- PLATING:
TERMINAL: CONTACT AREA: GOLD FLASH OVER MINIMUM 0.75 MICRON Pd/Ni;
SOLDER TAIL AREA: GOLD FLASH;
UNDER PLATING: NICKEL 2.0 MICRON MINIMUM.
SHELL: MATTE TIN 1.27 MICRON MINIMUM;
UNDER PLATING: NICKEL 1.27 MICRON MINIMUM.
- TAIL COPLANARITY 0.08mm MAXIMUM.
- PRODUCT SPECIFICATION: PS-105133-001.
- PACKAGE SPECIFICATION: PK-105133-001.
- COMPLIANT TO RoHS DIRECTIVE 2011/65/EU AND ELV 2000/53/EC.

THIS DRAWING CONTAINS INFORMATION THAT IS PROPRIETARY TO MOLEX ELECTRONIC TECHNOLOGIES, LLC AND SHOULD NOT BE USED WITHOUT WRITTEN PERMISSION

ADD DIMENSIONS		GENERAL TOLERANCES (UNLESS SPECIFIED)		DIMENSION UNITS	SCALE				
EC NO: 108812	2016/08/25	ANGULAR TOL ± 3.0 °		MM	10:1				
DRWN: XQZHANG	2016/08/25	4 PLACES	±	DRWN BY	DATE	PRODUCT CUSTOMER DRAWING			
CHK'D: XQZHANG	2016/10/12	3 PLACES	±	CHK'D BY	DATE				
REV APPR: AYIN		2 PLACES	± 0.15	APPR BY	DATE	DOCUMENT NUMBER: SD-105133-001 DOC TYPE: PSD DOC PART: 000 SHEET NUMBER: 1 OF 2			
		1 PLACE	± 0.25	RZHANG	2010/11/11				
		0 PLACES	±	DRAFT WHERE APPLICABLE MUST REMAIN WITHIN DIMENSIONS					

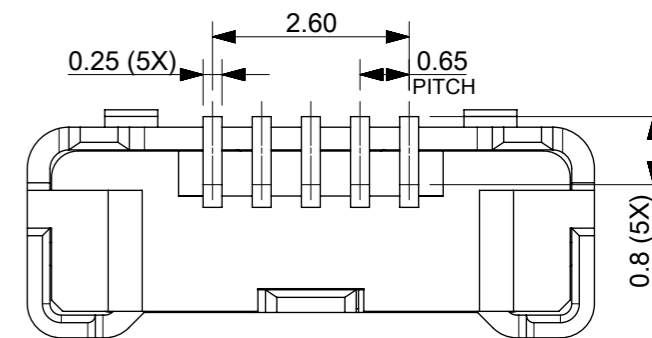
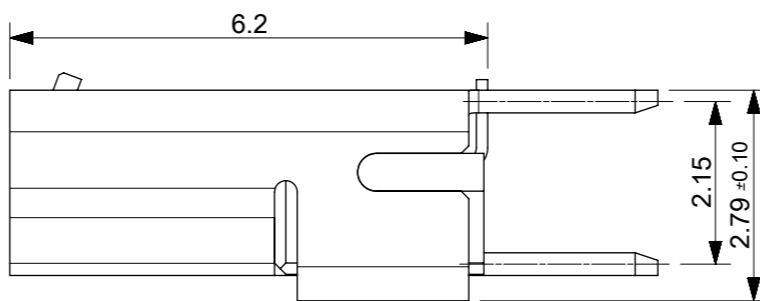
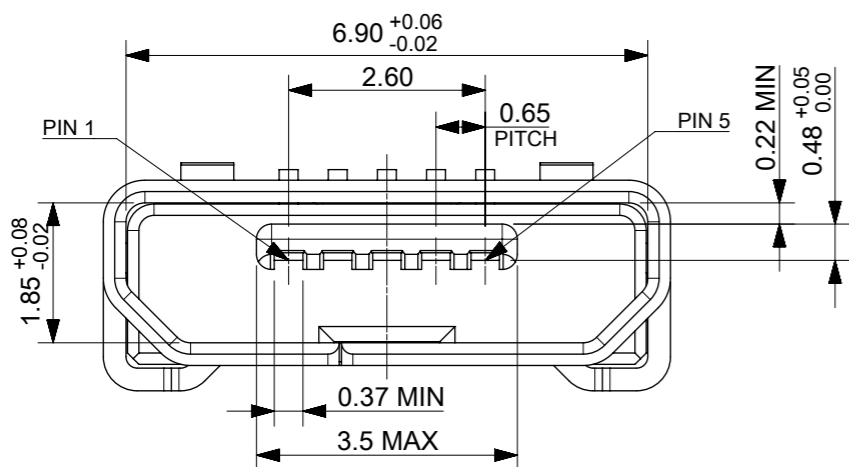
RELEASE STATUS	RELEASE DATE



RECOMMENDED PCB LAYOUT (THICKNESS: 1.6mm)
GENERAL TOLERANCE: ±0.05

PIN	NAME
5	GND
4	ID
3	D+
2	D-
1	VBUS

PIN ASSIGNMENT



105133-1001
PART NUMBER

NOTES:

- MATERIAL:
HOUSING & COVER: HIGH TEMPERATURE THERMOPLASTIC, BLACK, UL94V-0;
TERMINAL: COPPER ALLOY, THICKNESS: 0.15mm;
SHELL: STAINLESS STEEL, THICKNESS: 0.30mm.
- PLATING:
TERMINAL: CONTACT AREA: GOLD FLASH OVER MINIMUM 0.75 MICRON Pd/Ni;
SOLDER TAIL AREA: GOLD FLASH;
UNDER PLATING: NICKEL 2.0 MICRON MINIMUM.
SHELL: MATTE TIN 1.27 MICRON MINIMUM;
UNDER PLATING: NICKEL 1.27 MICRON MINIMUM.
- TAIL COPLANARITY 0.08mm MAXIMUM.
- PRODUCT SPECIFICATION: PS-105133-001.
- PACKAGE SPECIFICATION: PK-105133-011.
- COMPLIANT TO RoHS DIRECTIVE 2011/65/EU AND ELV 2000/53/EC.

THIS DRAWING CONTAINS INFORMATION THAT IS PROPRIETARY TO MOLEX ELECTRONIC TECHNOLOGIES, LLC AND SHOULD NOT BE USED WITHOUT WRITTEN PERMISSION

ADD DIMENSIONS EC NO: 108812 DRWN: XQZHANG CHK'D: XQZHANG REV APPR: AYIN	2016/08/25	2016/08/25	2016/10/12	GENERAL TOLERANCES (UNLESS SPECIFIED)	DIMENSION UNITS	SCALE				
					MM	10:1				
	4 PLACES	±			DRWN BY	DATE		SALES DRAWING FOR USB, MICRO-B VERTICAL TYPE		
	3 PLACES	±			XJSONG	2009/09/16				
2 PLACES	±	0.15	CHK'D BY	DATE	PRODUCT CUSTOMER DRAWING					
1 PLACE	±	0.25	XJSONG	2009/09/16						
0 PLACES	±		APPR BY	DATE	SERIES	MATERIAL NUMBER	CUSTOMER			
			RZHANG	2010/11/11				105133	SEE TABLE	GENERAL MARKET
				DRAFT WHERE APPLICABLE MUST REMAIN WITHIN DIMENSIONS	DRAWING SIZE	THIRD ANGLE PROJECTION	DOCUMENT NUMBER	DOC TYPE	DOC PART	SHEET NUMBER
					A3		SD-105133-001	PSD	000	2 OF 2

RELEASE STATUS	RELEASE DATE
----------------	--------------