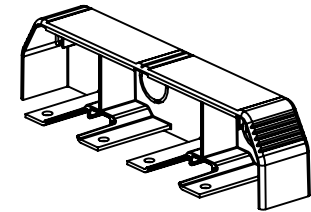
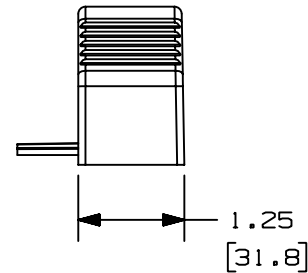
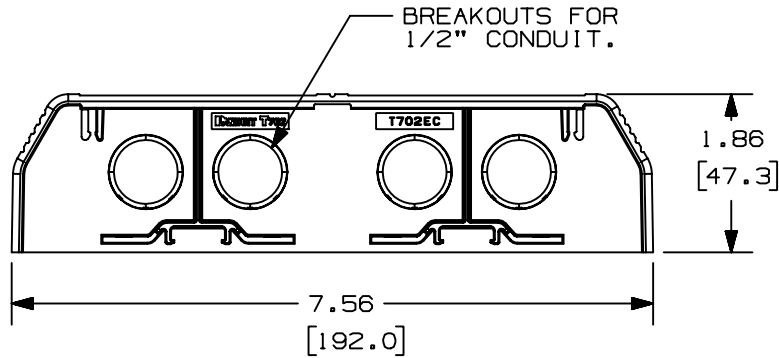
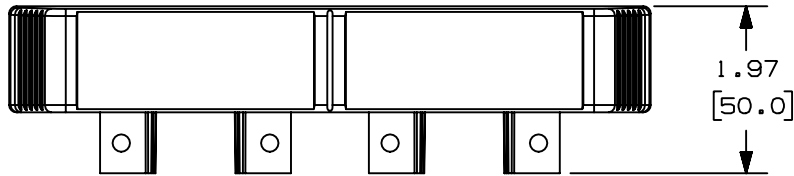


THIS COPY IS PROVIDED ON A RESTRICTED BASIS AND IS NOT TO BE USED IN ANY WAY DETRIMENTAL TO THE INTERESTS OF PANDUIT CORP.



PANDUIT P/N	WEIGHT
T702EC	1.77 LB/10 PCS (804g/10 PCS)



NOTES:

1. SEE CURRENT CATALOG FOR ADDITIONAL PART SUFFIXES TO INDICATE COLOR AND OR PACKAGE QUANTITY.
2. THIS PART IS INTENDED TO BE USED WITH PANDUIT TWIN-70 RACEWAY.
3. DIMENSIONS IN PARENTHESIS ARE IN METRIC.

CAD FILENAME/LAYERS D34866DV_DC_T702EC_01.prt

PANDUIT CORP. TINLEY PARK, ILLINOIS

TWIN-70 END CAP
(T702EC)
CUSTOMER DRAWING



UNLESS OTHERWISE SPECIFIED,
DIMENSIONAL TOLERANCES ARE:
(.X) ± (.XXX) ±
(.XX) ±.03 (.8) ANGLES ±

UNLESS OTHERWISE SPECIFIED,
ALL DIMENSIONS ARE GIVEN
IN INCHES, THIRD ANGLE PROJECTION.

REV	DATE	BY	CHK	DESCRIPTION	ECN	CHK	CUST	SUP
-	-----	---	---	D. REVISED CAD FILENAME: DV WAS BV. C. 1.77 LB (804g) WAS 1.61 LB (731g).	-----	---	---	
I	01-31-00	MSO	HIW	B. PVC WAS ABS/POLYCARBONATE. A. REVISED DRAWING TITLE.	34866-69	HIW	HIW	
R	02-26-98	DW	HIW	RELEASED TO PRODUCTION	34866-69	HIW	HIW	

DRAWN BY DW	MAT'L: PVC
DATE 02-26-98	
CHECKED BY HIW	

SCALE NONE	DWG SIZE A
DRAWING NO. 34866-69	