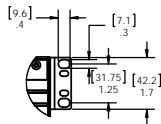
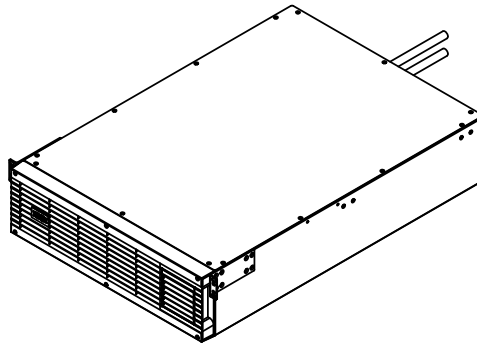
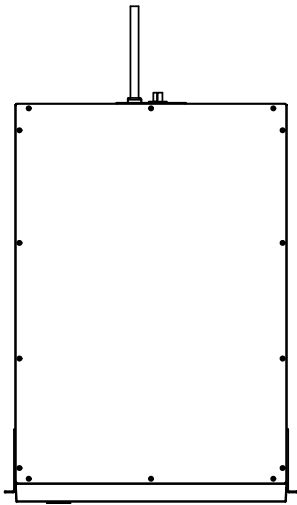
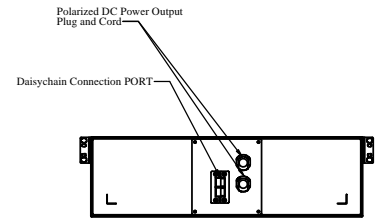
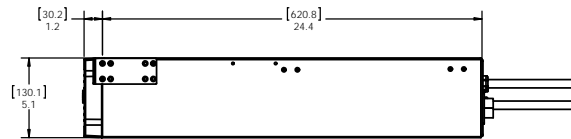
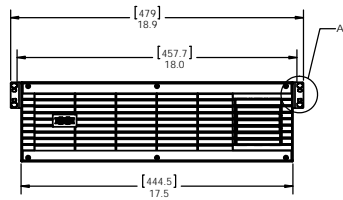


8 7 6 5 4 3 2 1



DETAIL A
SCALE 1:2



- NOTES:
 1. ALL DIMENSIONS IN INCHES (MILLIMETERS)
 2. APPROXIMATE UNIT WEIGHT: 135 g (LBS)
 3. CORD NOT SHOWN AT FULL LENGTH

DIMENSIONS UNLESS OTHERWISE SPECIFIED: DIMENSIONS ARE IN INCHES TOLERANCES: FRACTIONS DECIMALS ANGULAR DIMENSIONS ± .001 HOLE PLACES DECIMALS ± .001 HOLE PLACES DECIMALS ± .001		NAME: J.R. DATE: 8/17/10	TITLE: BP24V70-3U SUBMITT DRAWING
PROPORTION AND COORDINATE: THIS INFORMATION CONSIDERS THE DRAWING IS THE SOLE PROPERTY OF BROADCOM CORPORATION. ANY REPRODUCTION IN WHOLE OR IN PART WITHOUT THE WRITTEN PERMISSION OF BROADCOM CORPORATION SHALL BE PROHIBITED.	DRAWN: CHECKED: DESIGNED: DATE:	REV: A DATE:	SIZE: D DWG. NO.: 911A0D SCALE: 1:1 WEIGHT:
NEXT ASSY: USED ON: APPLICATION:	PART: DO NOT SCALE DRAWING	COMMENTS:	SHEET 1 OF 1

8 7 6 5 4 3 2 1