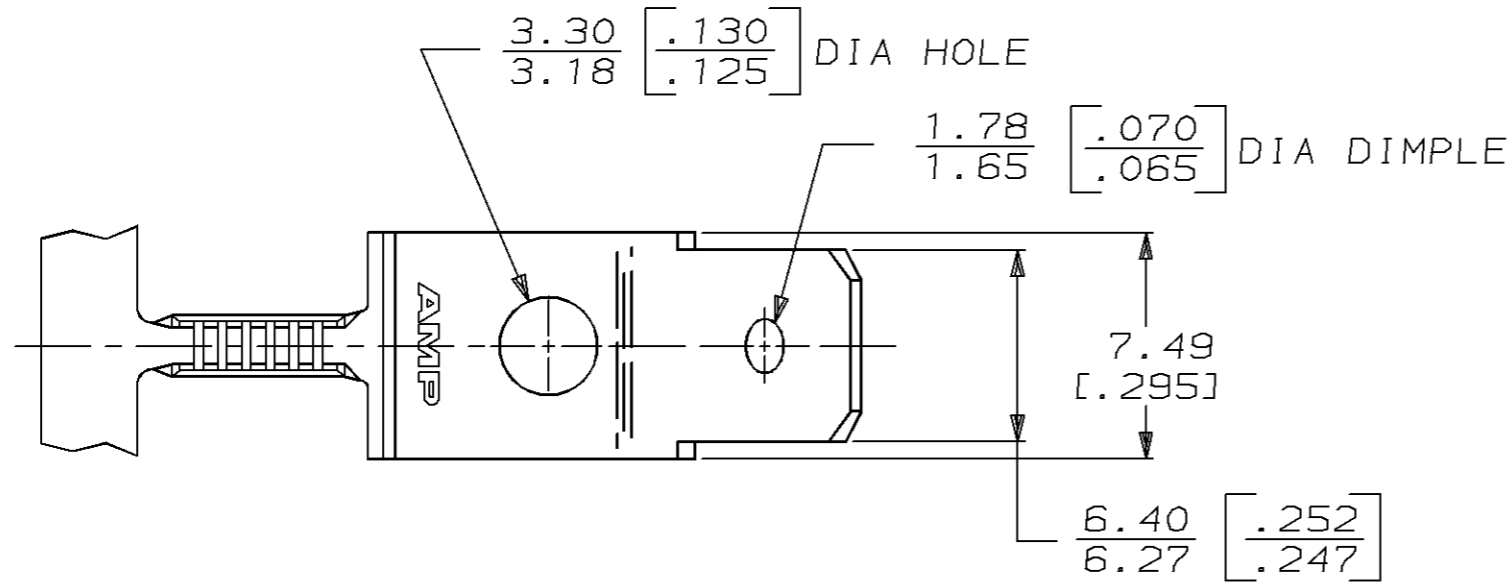
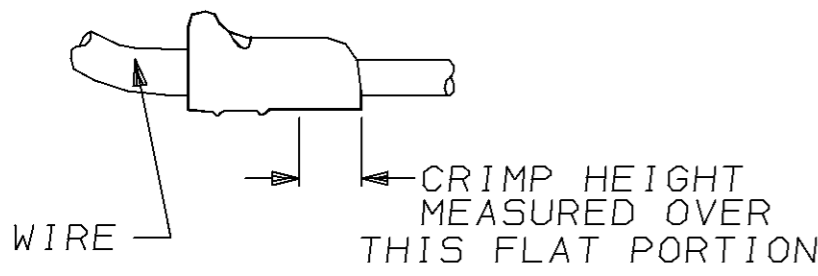
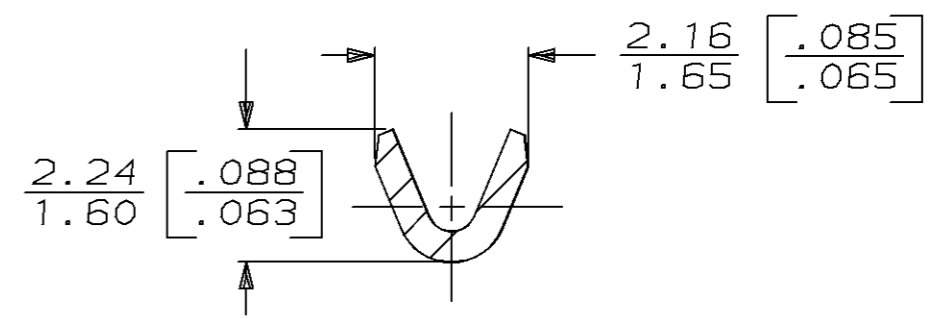
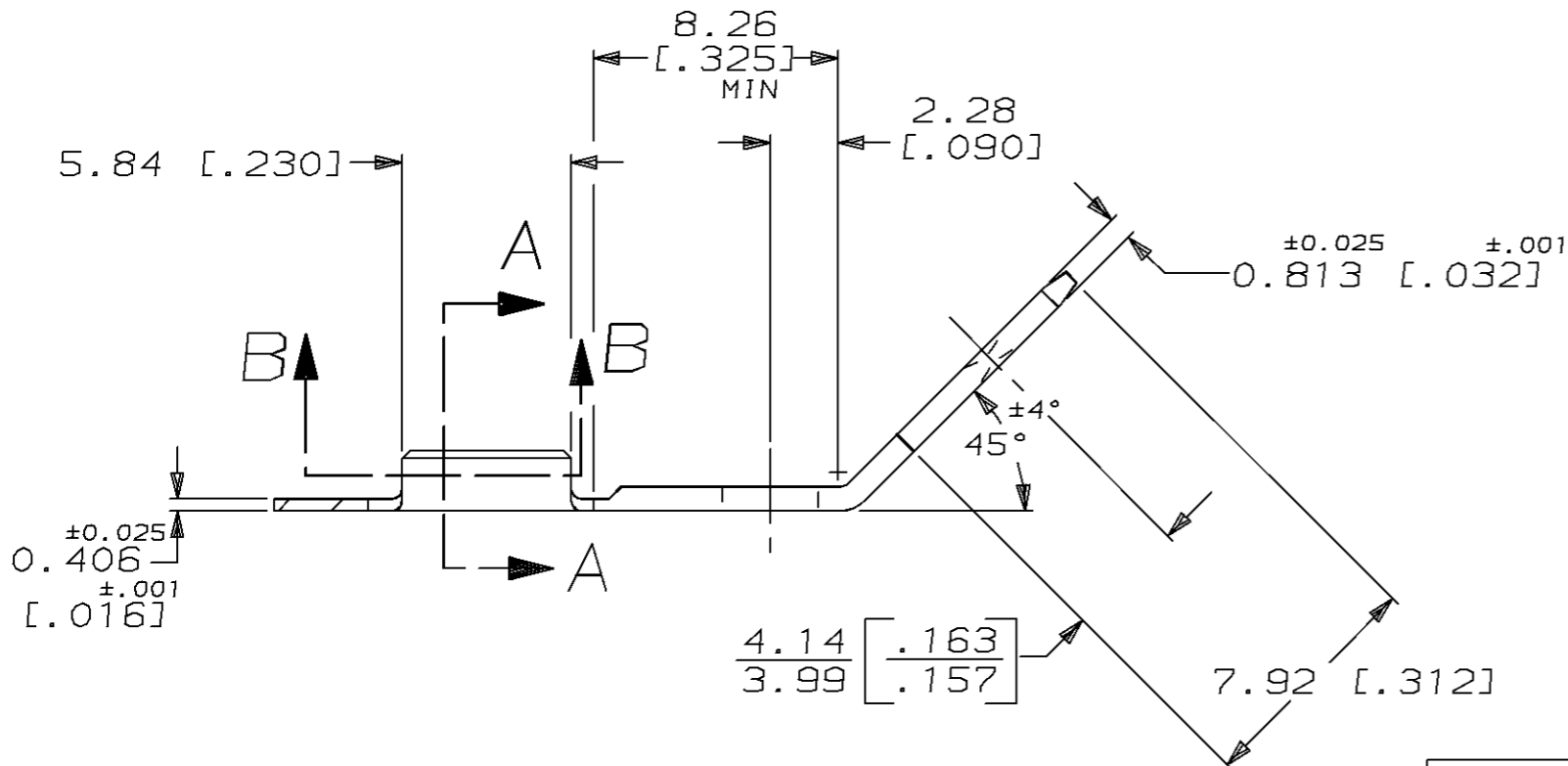


THIS DRAWING IS UNPUBLISHED. RELEASED FOR PUBLICATION, 19 .
 © COPYRIGHT 19 BY AMP INCORPORATED. ALL INTERNATIONAL RIGHTS RESERVED.

| | | | | | | | | |
|-----|------|---|---|-----------|-----|-----------------|--------|-------|
| LOC | DIST | P | F | REVISIONS | | | | |
| AF | 50 | | | ZONE | LTR | DESCRIPTION | DATE | APPD |
| | | | | | N | REDRAWN AF-7245 | 2/8/91 | JR/PF |



- CONTINUOUS STRIP ON REELS.
- TAB DIMENSIONS ARE IN ACCORDANCE WITH NEMA DC-2 STD.



| | | | | | |
|--|--|------------------|--------|-----------------------------|------------|
| DO NOT SCALE PRINT. UNLESS SPECIFIED DIMENSIONS IN mm [INCHES] | | DR | 2/7/91 | 200-566 CMA | 63136-1 |
| TOLERANCES ON: | | CHK | 2/7/91 | WIRE RANGE | PART NO |
| 2 PLC DEC ± 0.25 [.010] | | APPD | 2/7/91 | AMP AMP Incorporated | |
| 3 PLC DEC ± - | | APPD | 2/7/91 | Harrisburg, PA 17105-3608 | |
| ANGLES ± - | | APPD | 2/7/91 | NAME | |
| MATERIAL | | APPD | 2/7/91 | TAB, FASTON™ AMPLIVAR, | |
| PREMILLED #2H BRASS | | PRODUCT SPEC | - | 6.35 [.250] SERIES | |
| FINISH | | APPLICATION SPEC | - | SIZE | CAGE CODE |
| TIN 0.002032 [.000080] MIN WITH VARNISH RESIST | | WEIGHT | - | B | 00779 |
| | | | | SCALE | DRAWING NO |
| | | | | 4:1 | 63136 |
| | | | | | SHEET |
| | | | | | 1 OF 1 |