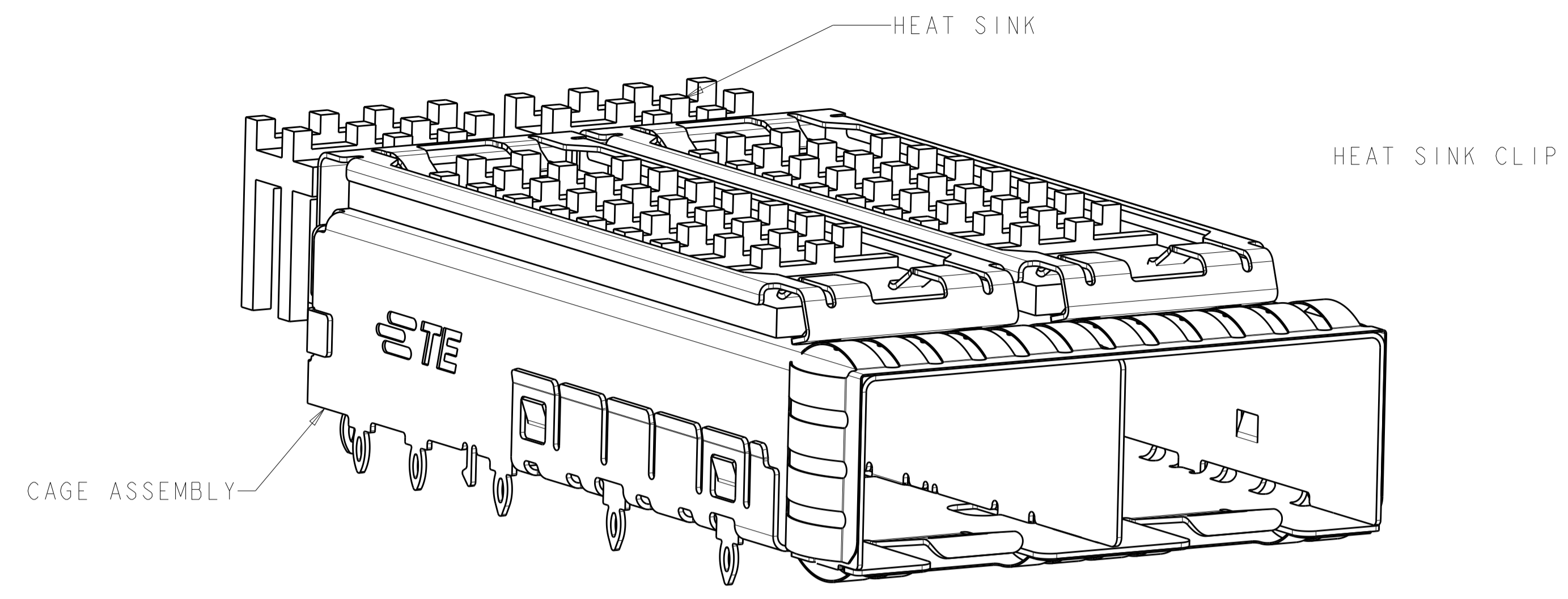


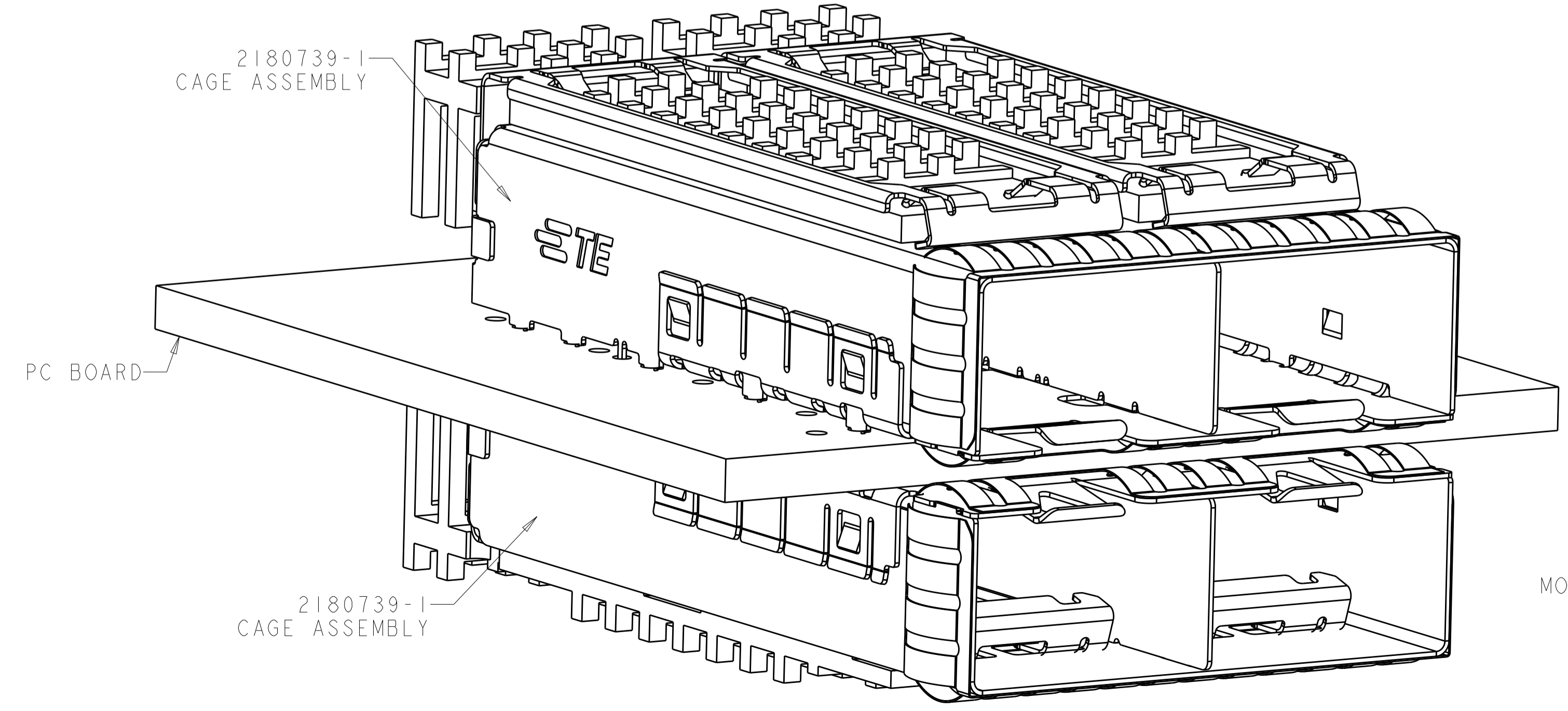
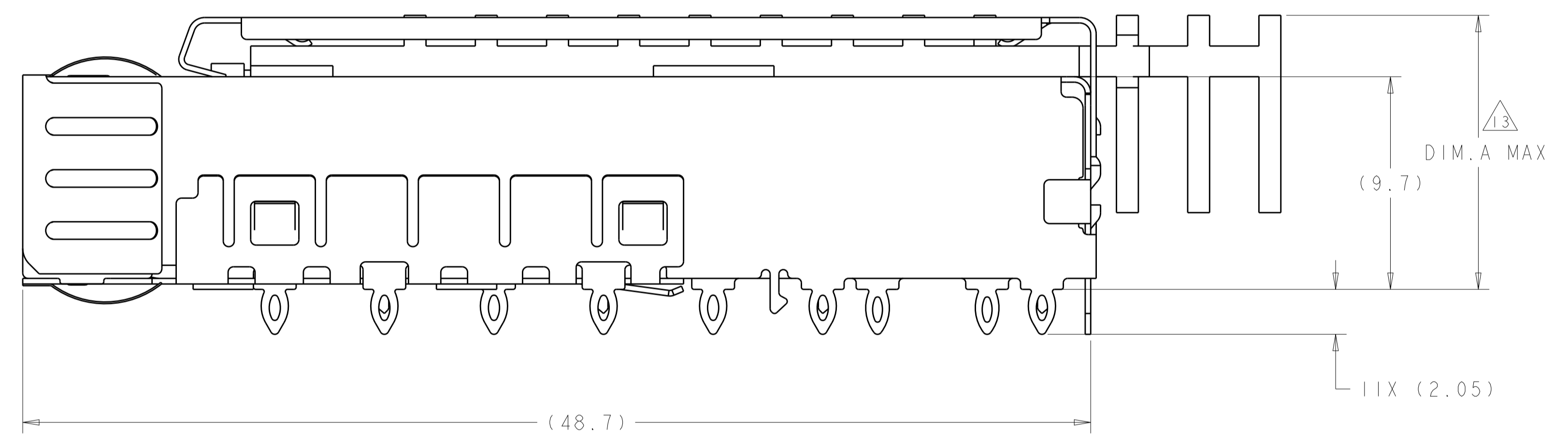
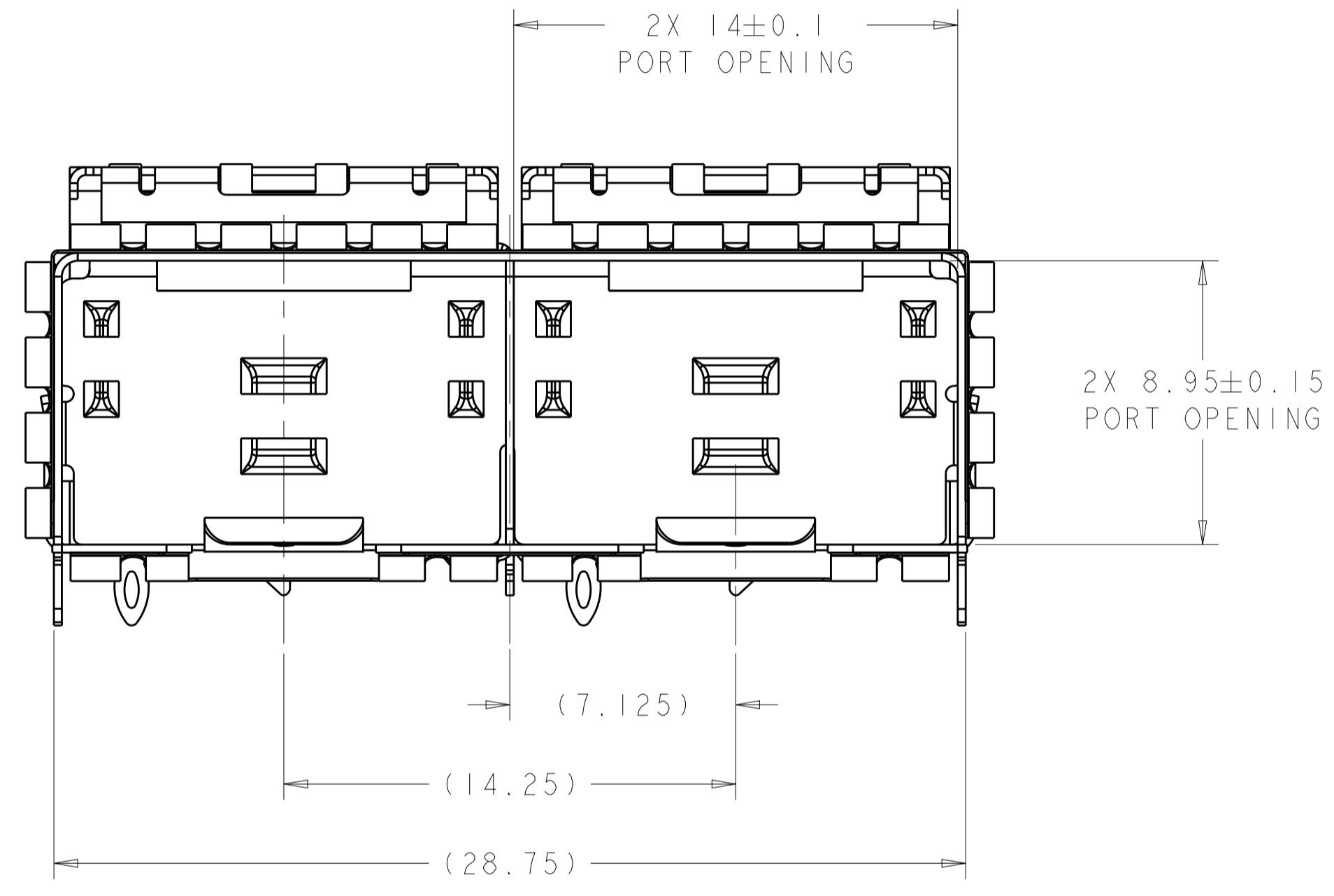
LOC	DIST	REVISIONS					
GP	00	P	LTN	DESCRIPTION	DATE	DWN	APVD
		A		PRODUCTION RELEASE	29FEB2016	JW	SH



2170190-1
SCALE 5:1

- △ MATERIAL:
CAGE ASSEMBLY: 0.25mm THICK NICKEL SILVER ALLOY
EMI SPRINGS: COPPER ALLOY
HEAT SINK: ALUMINUM
HEAT SINK CLIP: STAINLESS STEEL.
- △ FINISH:
2170190-1/-2 HEAT SINK: HARD ANODIC COATING
2170190-3 HEAT SINK: BLACK ANODIZE
HEAT SINK CLIP: PASSIVATE.
- △ DATUM AND BASIC DIMENSIONS ESTABLISHED BY CUSTOMER.
- △ PADS AND VIAS CHASSIS GROUND.
- 5. MATES WITH SFP MSA COMPLIANT RECIEVERS.
- 6. INTERPRETATION OF DATUM REFERENCE FRAME IN ACCORDANCE WITH SECT 4.4.1.1 OR ASME Y14.5M-1994.
- △ MINIMUM PC BOARD THICKNESS:
SINGLE SIDED: 1.5mm
DOUBLE SIDED: 2.25
- △ HOLE PATTERN REPEATS FOR EACH PORT, SPACING BETWEEN PORTS IS 14.25mm.
- △ REFERENCE APPLICATION SPEC. 114-13120, HOLE A, FOR RECOMMENDED DRILL HOLE DIAMETER AND PLATING THICKNESS.
- △ REFERENCE APPLICATION SPEC. 114-13120, HOLE B, FOR RECOMMENDED DRILL HOLE DIAMETER AND PLATING THICKNESS.
- 11. CERTAIN MATING TRANCEIVERS MAY REQUIRE ADDITIONAL PCB THICKNESS THAT WOULD NEED TO BE DETERMINED BY THE CUSTOMER.

- 12. PRODUCT COMPLIES WITH SPECIFICATION SFF-8433 IMPROVED PLUGGABLE FORM FACTOR FOR SFP+ GANGED CAGES.
- △ 13. DIMENSION APPLIES PRIOR TO INSERTION OF SFP MODULE.
- △ 14. PRELIMINARY PART, NO RELEASED TO MASS PRODUCTION



2170190-1
MOUNTED BELLY TO BELLY
SCALE 5:1

△ 13.10 MAX. (WORKING)	FIN TYPE	HEAT SINK W/ THE FRIST ROW PIN	2170190-3
20.2 Max.	PIN TYPE	HEAT SINK W/ THE FIRST ROW PIN	2170190-2
13 Max.	PIN TYPE	HEAT SINK W/O THE FIRST ROW PIN	2170190-1
A	HEAT SINK	DESCRIPTION	PART NUMBER

THIS DRAWING IS A CONTROLLED DOCUMENT.

DIMENSIONS: mm

TOLERANCES UNLESS OTHERWISE SPECIFIED:

0 PLC	±0.13
1 PLC	±0.1
2 PLC	±0.08
3 PLC	±0.05
4 PLC	±0.05
ANGLES	±0.1

MATERIAL: △

FINISH: △

OWN: TIM XUE 21NOV2011

CHK: ALEX CAI 21NOV2011

APVD: ALEX CAI 21NOV2011

PRODUCT SPEC: 108-2364

APPLICATION SPEC: 114-13120

WEIGHT: -

CUSTOMER DRAWING

TE Connectivity

SFP+ ENHANCED 1X2 CAGE ASSEMBLY, PRESS-FIT, EMI SPRINGS, HEAT SINK

SIZE: A1

CAGE CODE: 00779

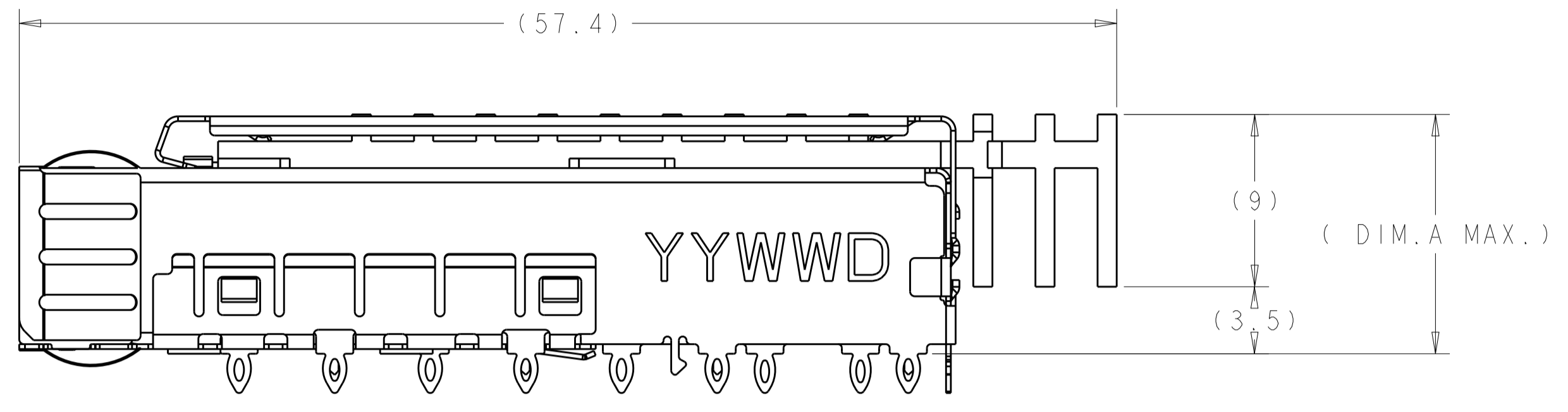
DRAWING NO: 2170190

SCALE: 6:1

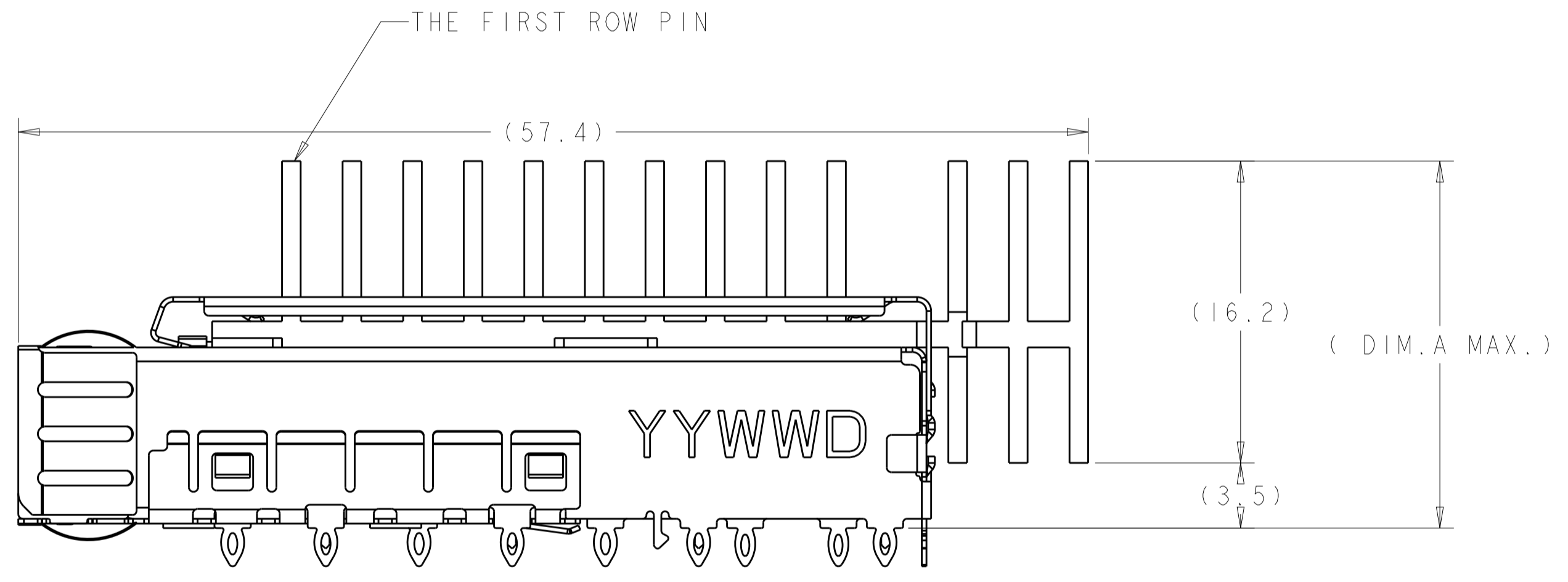
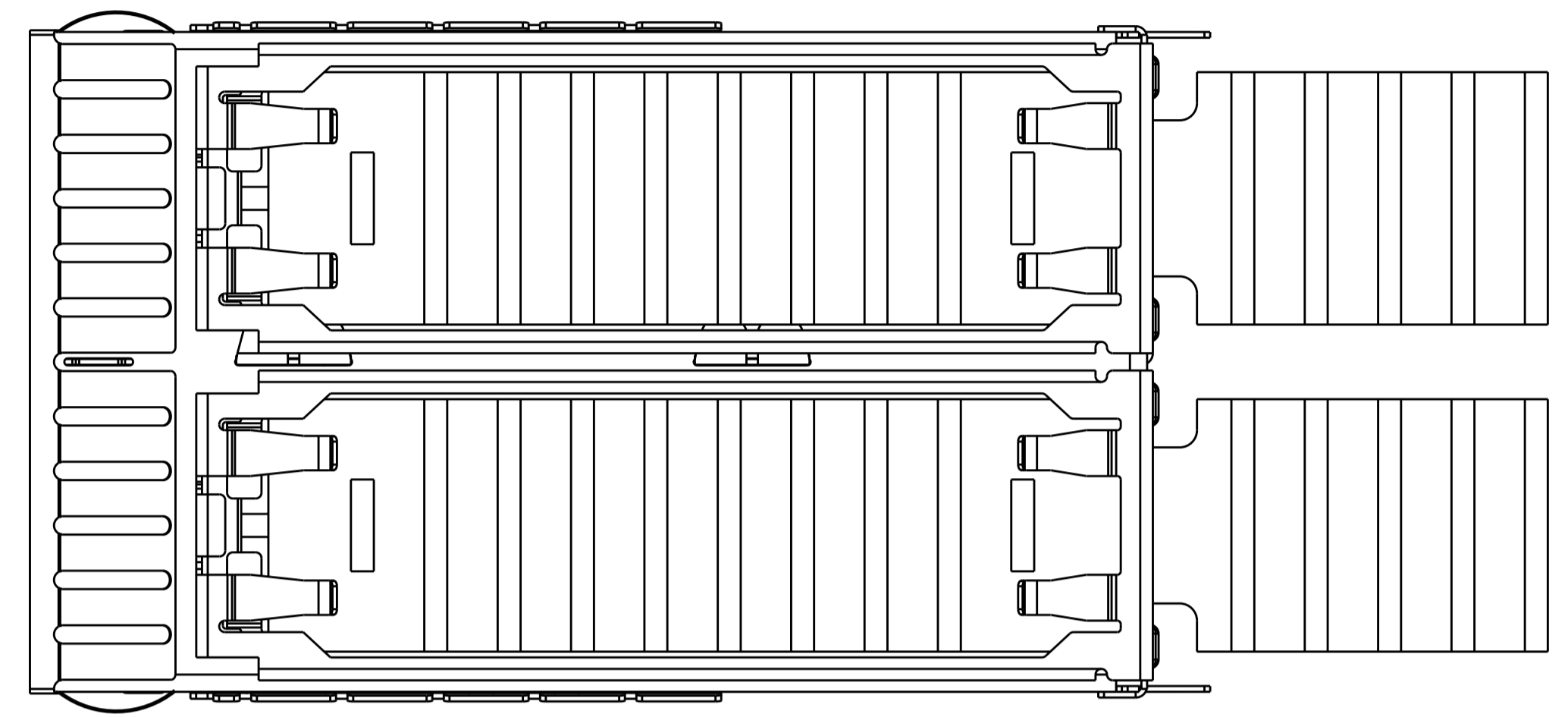
SHEET: 1 OF 5

REV: A

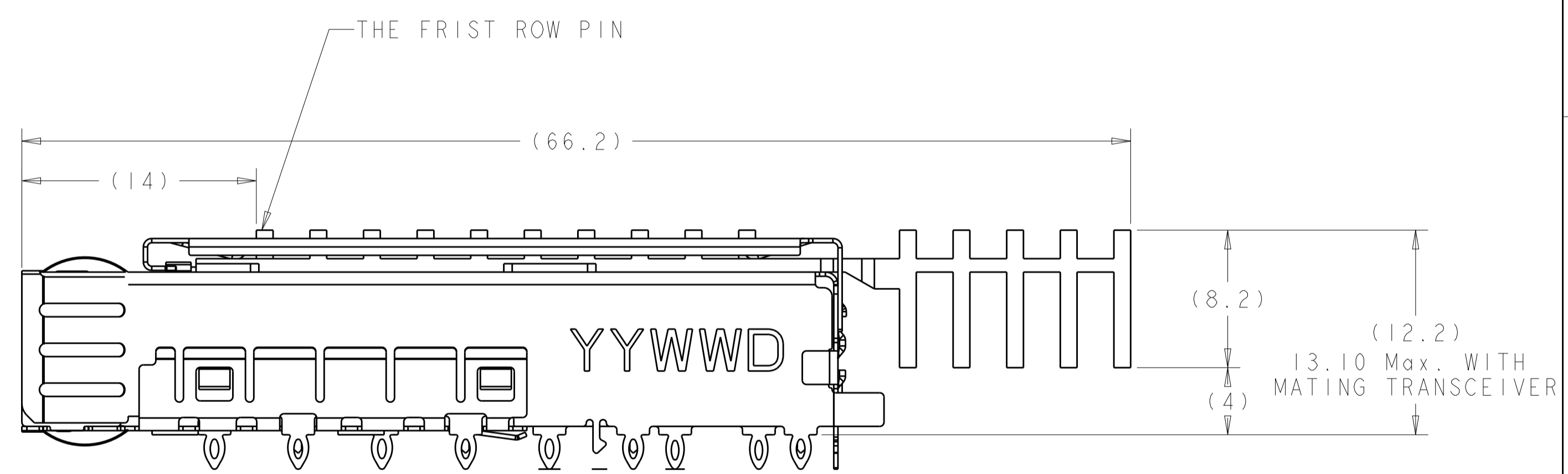
LOC		DIST		REVISONS			
GP	00	P	LYR	DESCRIPTION	DATE	DMN	APVD
		-		SEE SHEET 1			



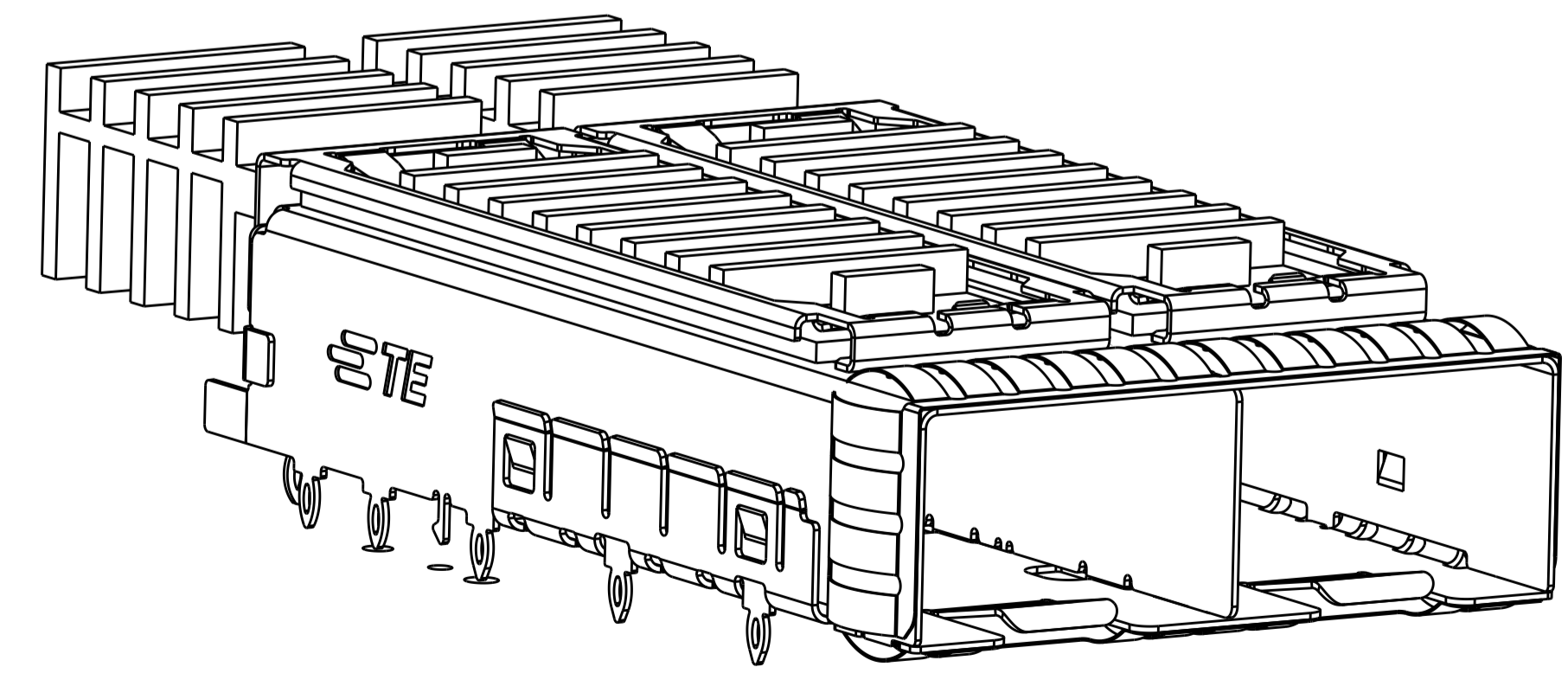
2170190-1 AS SHOWN
HEAT SINK W/O THE FIRST ROW PIN



2170190-2 AS SHOWN



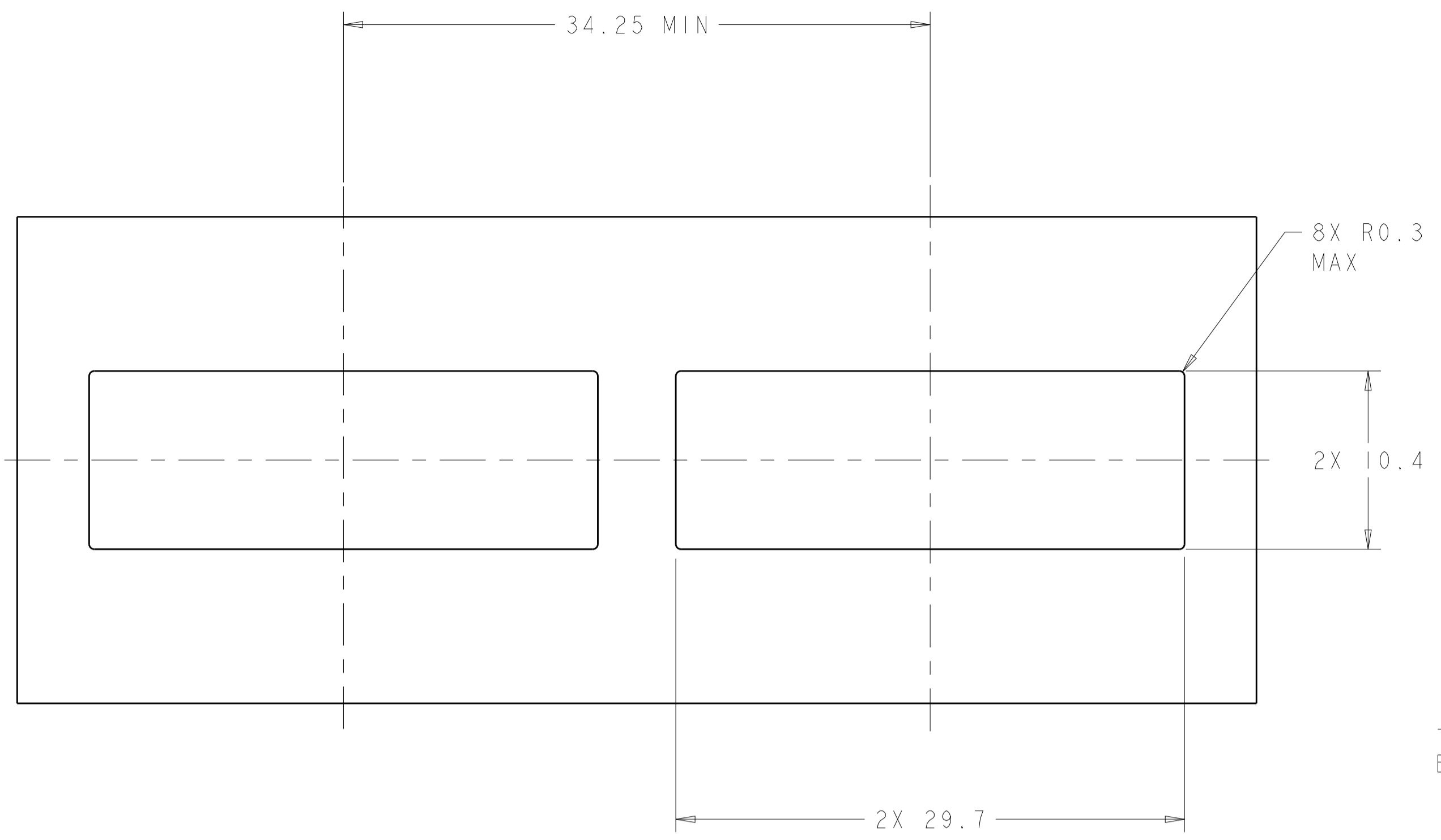
2170190-3 AS SHOWN



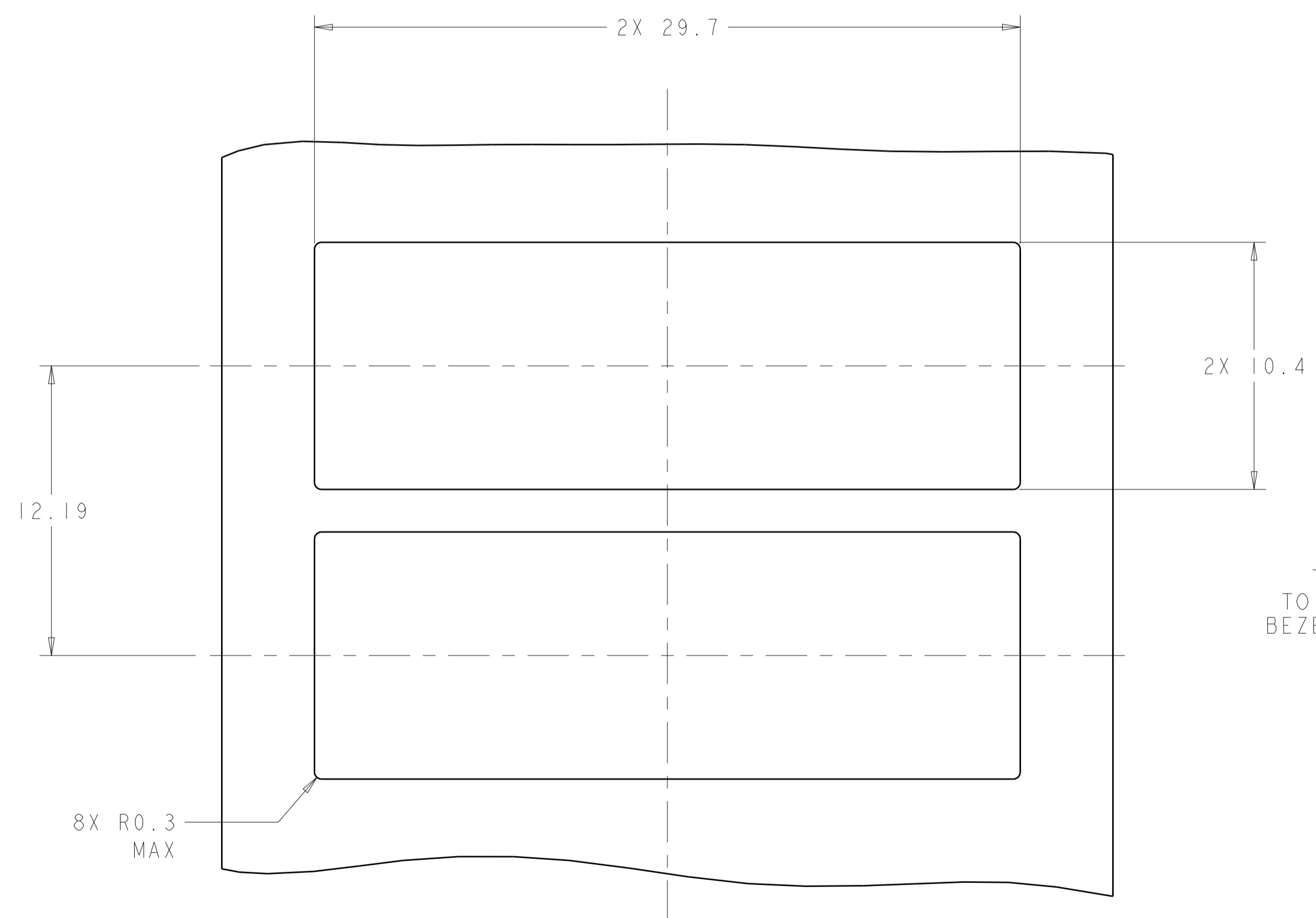
2170190-3 AS SHOWN

THIS DRAWING IS A CONTROLLED DOCUMENT.		DMN: TIM XUE 21NOV2011	TE Connectivity
DIMENSIONS:		CHK: ALEX CAI 21NOV2011	
mm		APVD: ALEX CAI 21NOV2011	
TOLERANCES UNLESS OTHERWISE SPECIFIED: 0 PLC ±0.13 1 PLC ±0.1 2 PLC ±0.08 3 PLC ±0.05 4 PLC ±0.05 ANGLES ±0.5		NAME: SFP+ ENHANCED 1X2 CAGE ASSEMBLY, PRESS-FIT, EMI SPRINGS, HEAT SINK PRODUCT SPEC: 108-2364 APPLICATION SPEC: 114-13120 WEIGHT: -	
MATERIAL:		FINISH: -	SIZE: A100779 CAGE CODE: C=2170190 CUSTOMER DRAWING
SCALE: 6:1			SHEET: 2 OF 5 REV: A

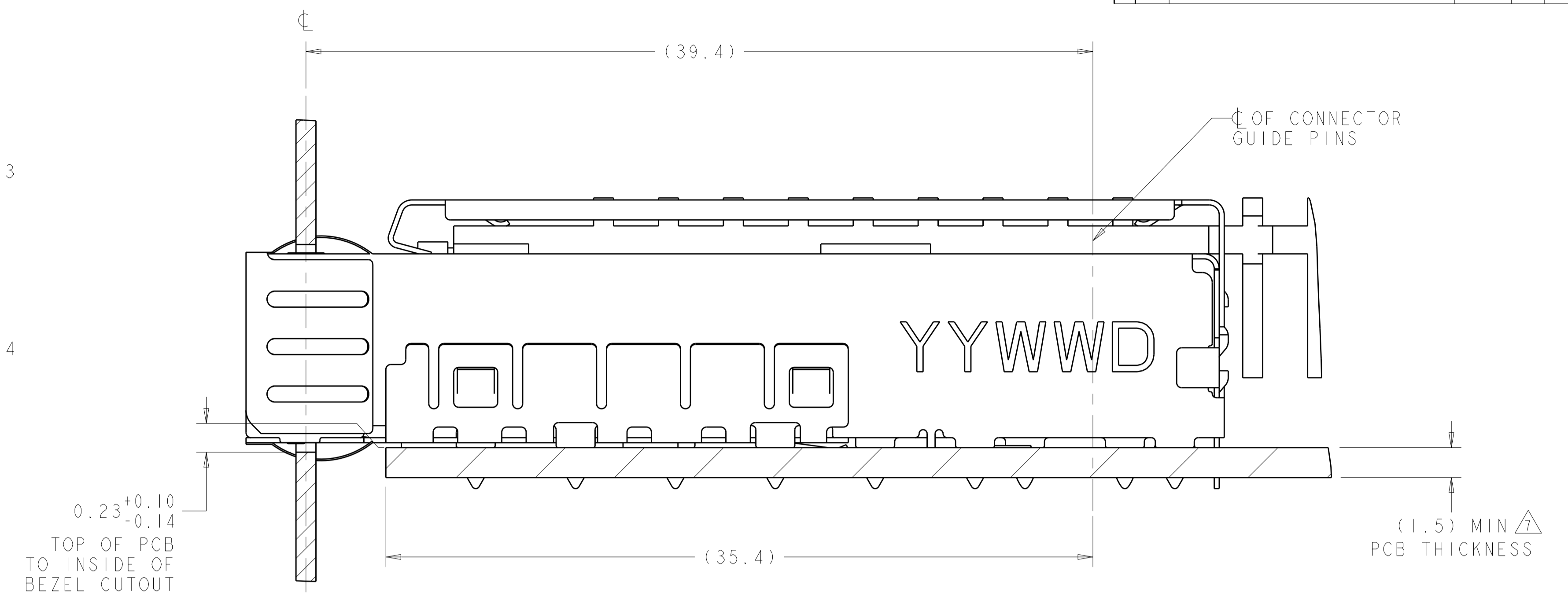
LOC		DIST		REVISIONS				
GP	00	P	LTN	DESCRIPTION	DATE	DMN	APVD	
-	-	-	-	SEE SHEET 1	-	-	-	



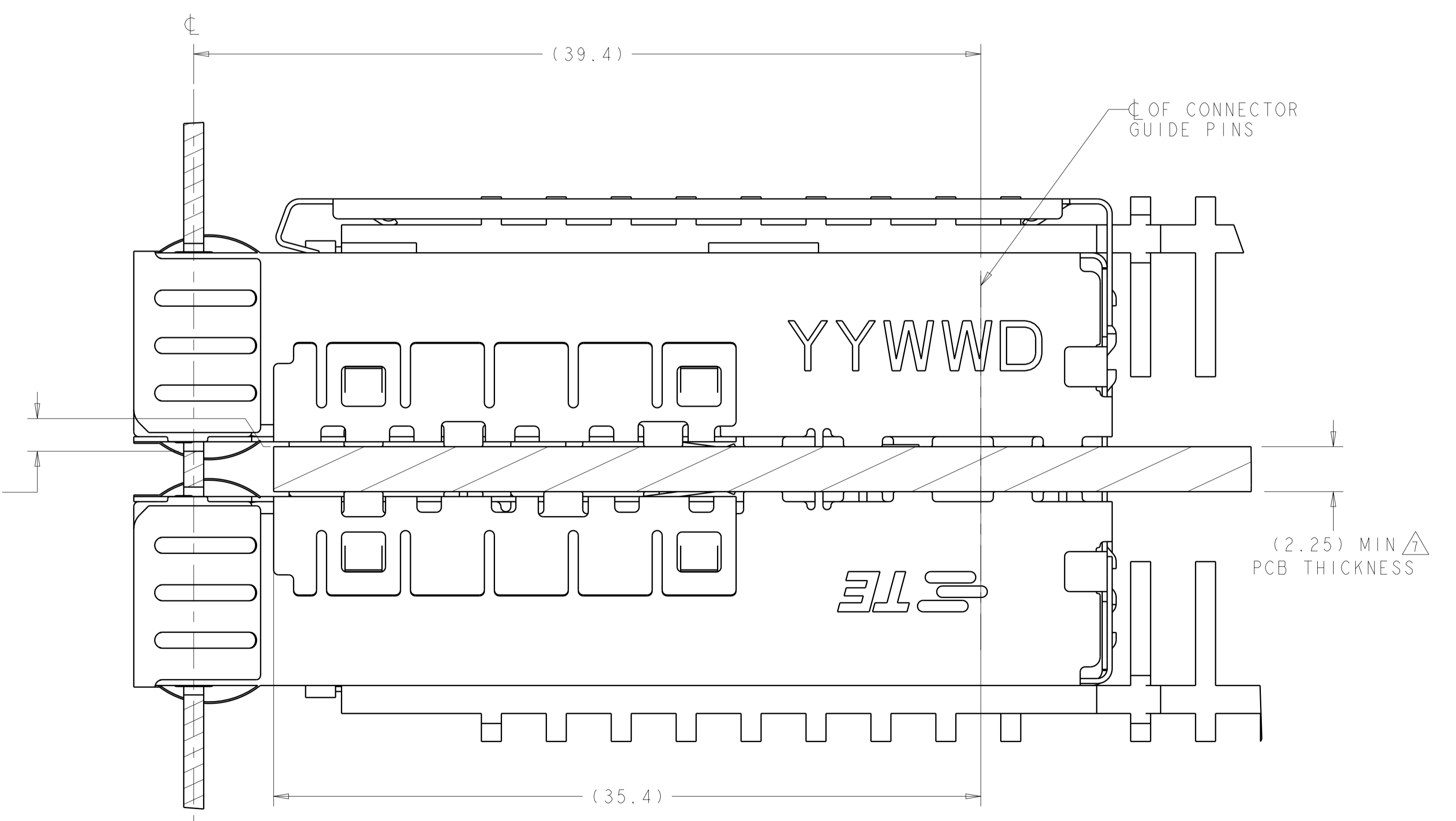
RECOMMENDED BEZEL CUT-OUT
 SINGLE SIDED APPLICATIONS
 SCALE 4:1



RECOMMENDED BEZEL CUT-OUT
 BELLY TO BELLY APPLICATIONS



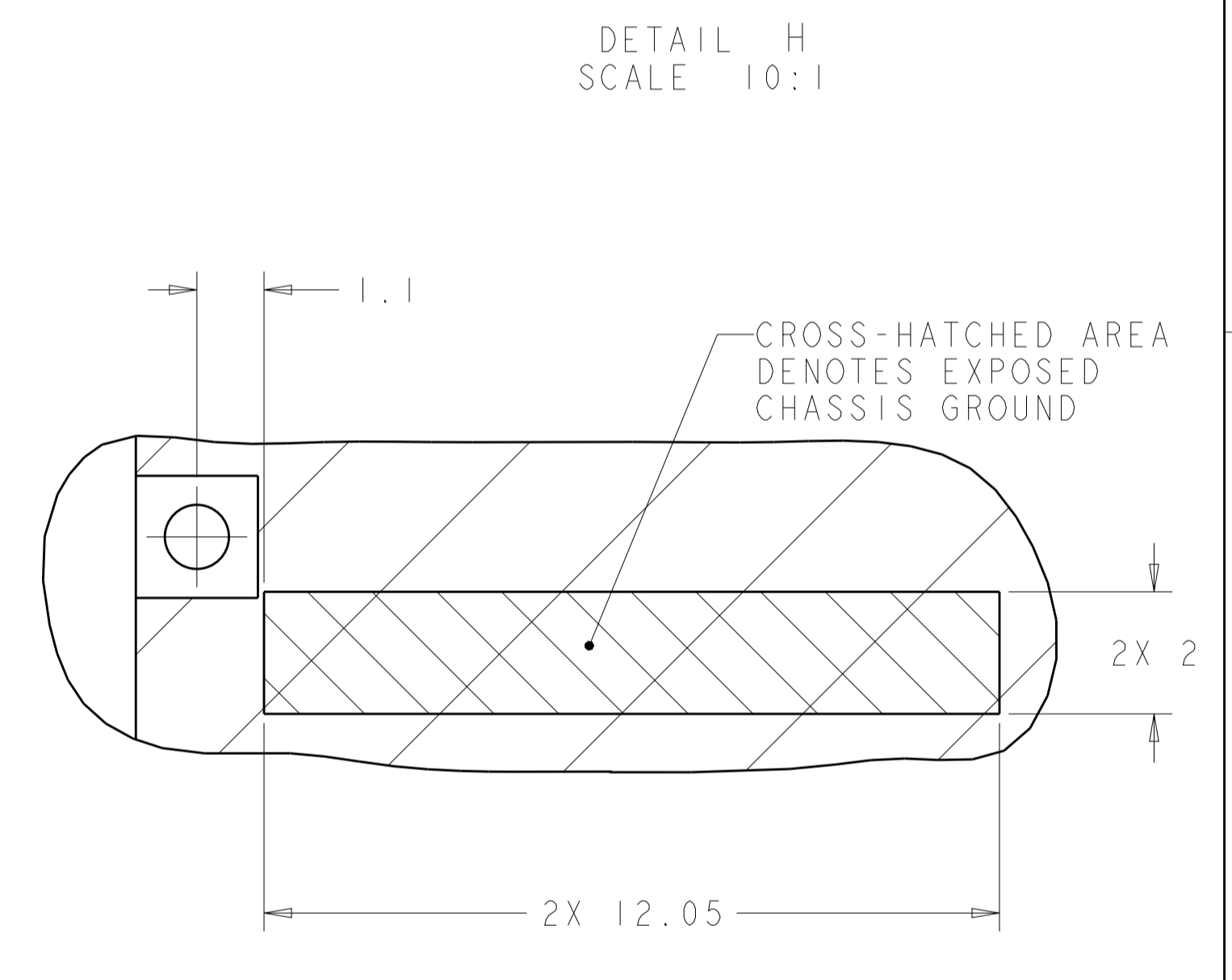
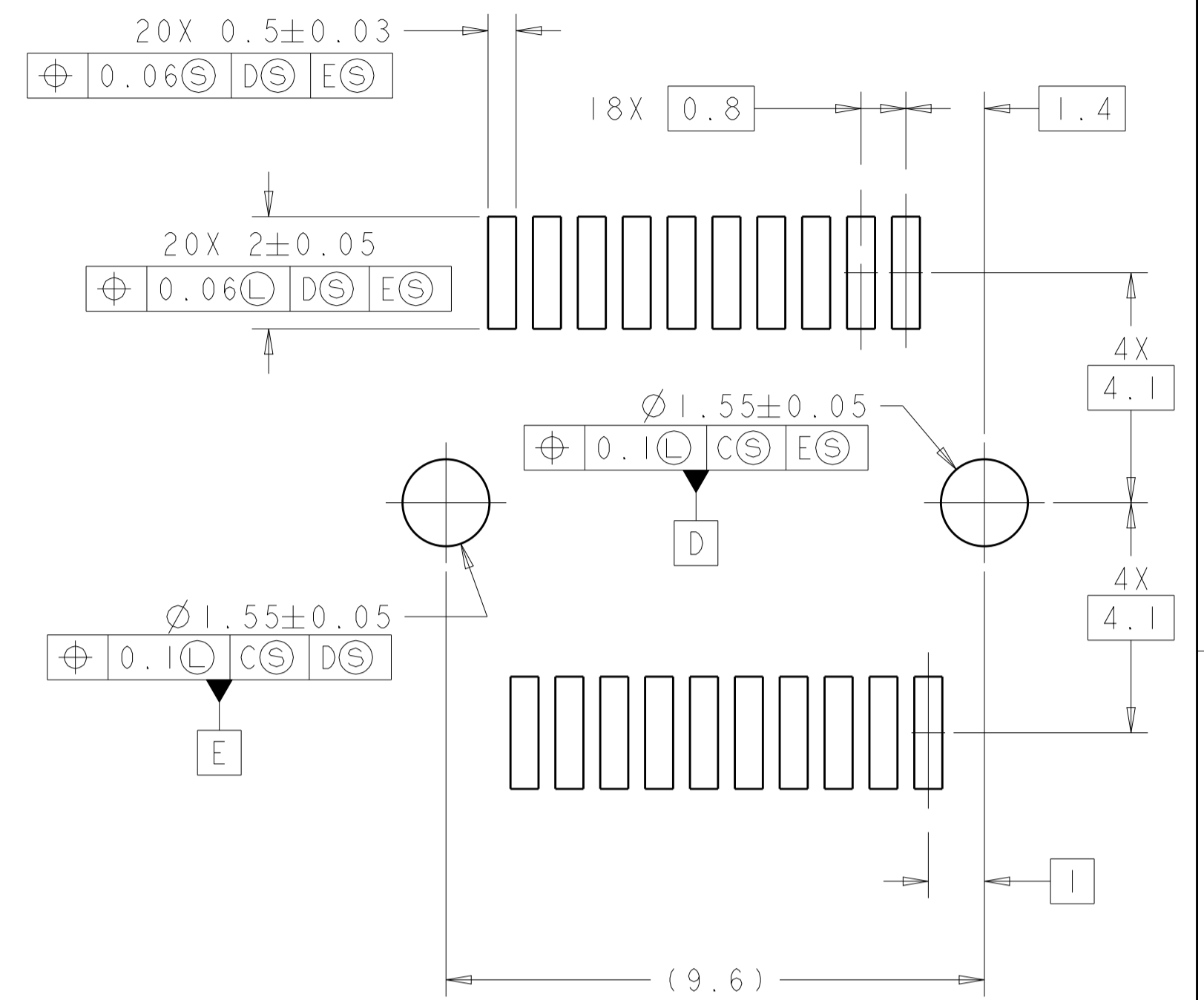
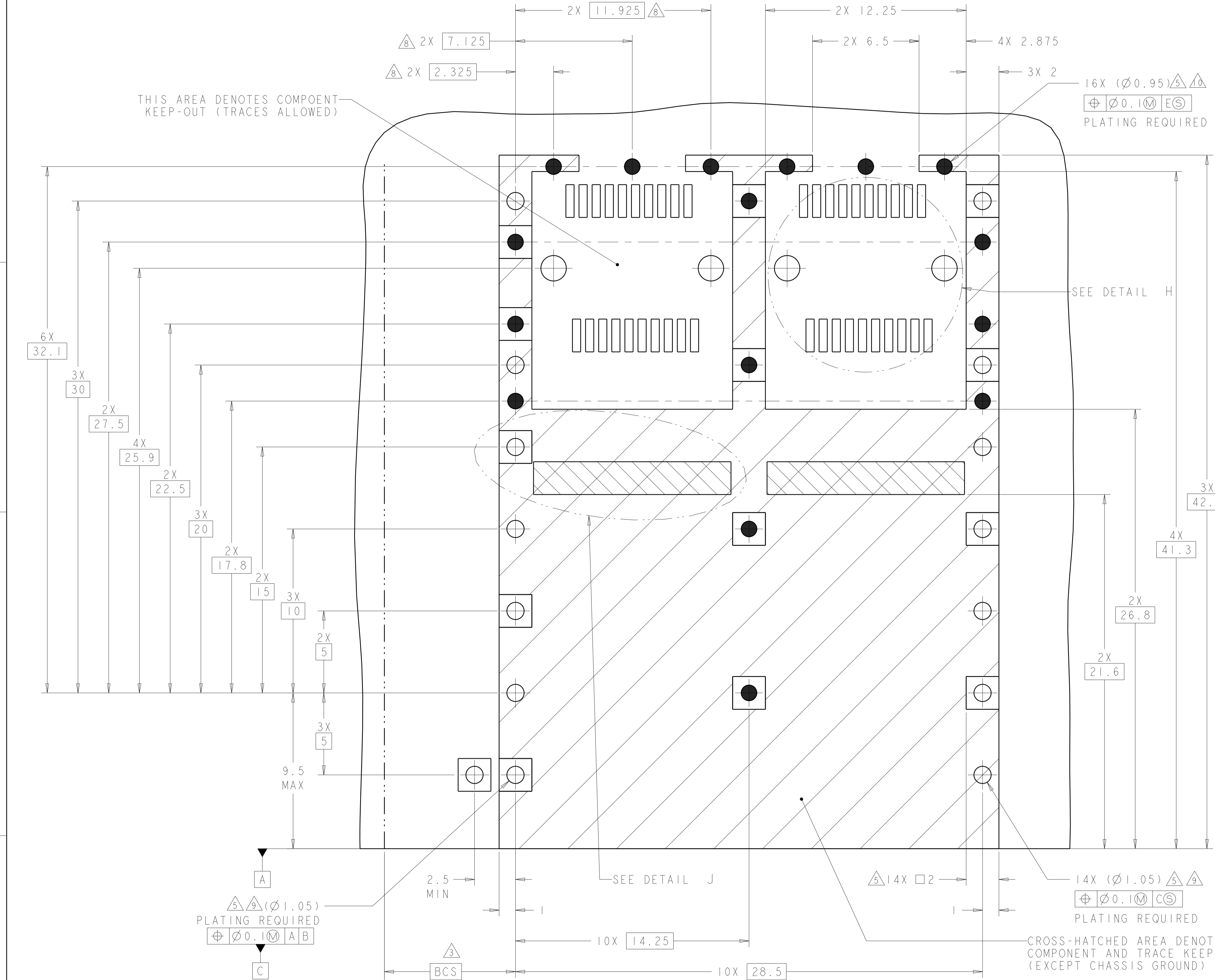
2170190-1
 MOUNTED ON PC BOARD
 SHOWN THRU RECOMMENDED BEZEL



2170190-1
 MOUNTED BELLY TO BELLY ON PC BOARD
 SHOWN THRU RECOMMENDED BEZEL

THIS DRAWING IS A CONTROLLED DOCUMENT.		DMN	TIM XUE	21NOV2011	TE Connectivity			
DIMENSIONS:		CHK	ALEX CAI	21NOV2011				
mm		APVD	ALEX CAI	21NOV2011	NAME SFP+ ENHANCED 1X2 CAGE ASSEMBLY, PRESS-FIT, EMI SPRINGS, HEAT SINK			
0 PLC ±0.13 1 PLC ±0.1 2 PLC ±0.08 3 PLC ±0.05 4 PLC ±0.05 ANGLES ±0.5 FINISH #1		PRODUCT SPEC	108-2364					
MATERIAL		APPLICATION SPEC	114-13120		SIZE	CAGE CODE	DRAWING NO	RESTRICTED TO
		WEIGHT			A100779	C=2170190		
		CUSTOMER DRAWING			SCALE	6:1	SHEET	3 OF 5
					REV	A		

LOC	DIST	REVISIONS			
GP	00	REV	DATE	BY	APPV
		1	SEE SHEET 1		



THIS DRAWING IS A CONTROLLED DOCUMENT.		OWN: TIM XUE 21NOV2011	TE Connectivity
DIMENSIONS: mm		CHK: ALEX CAI 21NOV2011	
TOLERANCES UNLESS OTHERWISE SPECIFIED:		APVD: ALEX CAI 21NOV2011	NAME: SFP+ ENHANCED 1X2 CAGE ASSEMBLY, PRESS-FIT, EMI SPRINGS, HEAT SINK
0 PLC ±0.13	1 PLC ±0.1	PRODUCT SPEC: 108-2364	SIZE: CAGE CODE DRAWING NO: A100779C=2170190
2 PLC ±0.08	3 PLC ±0.05	APPLICATION SPEC: 114-13120	RESTRICTED TO: -
4 PLC ±0.05	ANGLES ±0.1	WEIGHT: -	SCALE: 6:1 SHEET 5 OF 5 REV A
MATERIAL: -	FINISH: -	CUSTOMER DRAWING	