
MAX32630FTHR Application Platform

General Description

The MAX32630FTHR Pegasus board is a rapid development platform designed to help engineers quickly implement battery optimized solutions with the MAX32630 ARM® Cortex®-M4F microcontroller. The board also includes the MAX14690 wearable PMIC to provide optimal power conversion and battery management. The form factor is a small 0.9in by 2.0in dual row header footprint that is compatible with breadboards and off-the shelf peripheral expansion boards. Additionally, on board are a variety of peripherals including a dual-mode Bluetooth® module, micro SD card connector, 6-axis accelerometer/gyro, RGB indicator LED, and pushbutton. This provides a power-optimized flexible platform for quick proof-of-concepts and early software development to enhance time to market.

Go to: <https://developer.mbed.org/platforms/MAX32630FTHR/> to get started developing with this board.

Ordering Information appears at end of data sheet.

ARM is a registered trademark and registered service mark and Cortex and mbed are registered trademarks of ARM Limited.

The Bluetooth word mark and logos are registered trademarks owned by Bluetooth SIG, Inc. and any use of such marks by Maxim is under license.

Features

- MAX32630 Microcontroller
 - ARM Cortex-M4F, 96MHz
 - 2048KB Flash Memory
 - 512KB SRAM
 - 8KB Instruction Cache
 - Full-Speed USB 2.0
 - Three SPI Masters, One Slave
 - Three I²C Masters, One Slave
 - Four UARTS
 - 1-Wire Master
 - 66 GPIO
 - 4 Input 10-Bit ADC
- MAX14690 Wearable PMIC
 - Battery Charger with Smart Selector
 - Dual Micro I_Q Buck Regulators
 - Three Micro I_Q Linear Regulators
 - Power-On/Off Sequencing Controller
 - Voltage Monitor Multiplexer
- Expansion Connections
 - Breadboard-Compatible Headers
 - Micro SD Card Connector
 - Battery Connector
 - Micro USB Connector
- Integrated Peripherals
 - RGB Indicator LED
 - 6-Axis Accelerometer/Gyro
 - Dual-Mode Bluetooth Module
 - User Pushbutton
- mbed® HDK Debug Interface
 - Drag-and-Drop Programming
 - SWD Debugger
 - Virtual UART Console

MAX32630FTHR Application Platform

<https://developer.mbed.org/platforms/MAX32630FTHR/>

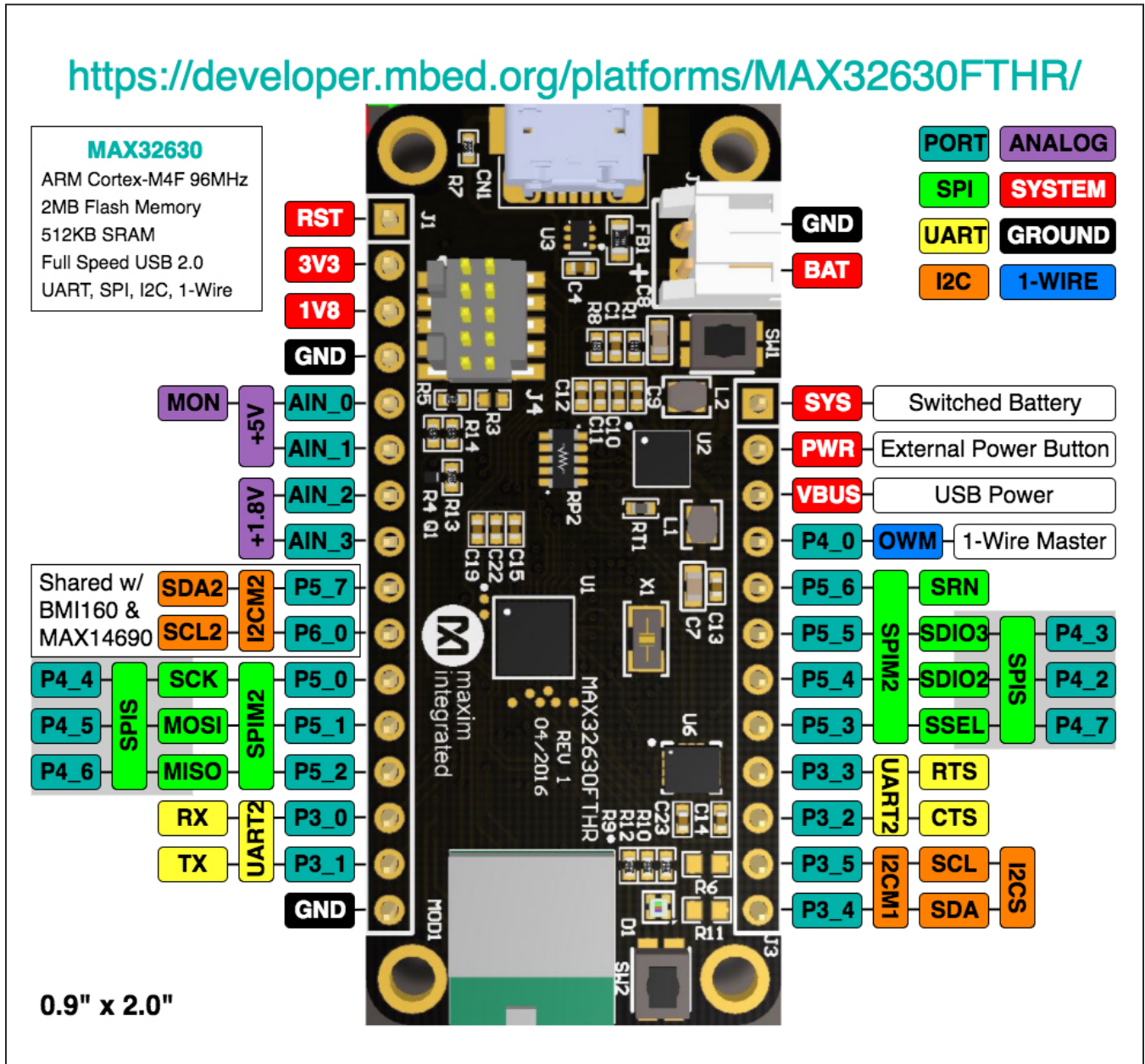


Figure 1. MAX32630 FTHR Pinout Diagram

MAX32630FTHR Application Platform

<https://developer.mbed.org/platforms/MAX32630FTHR/>

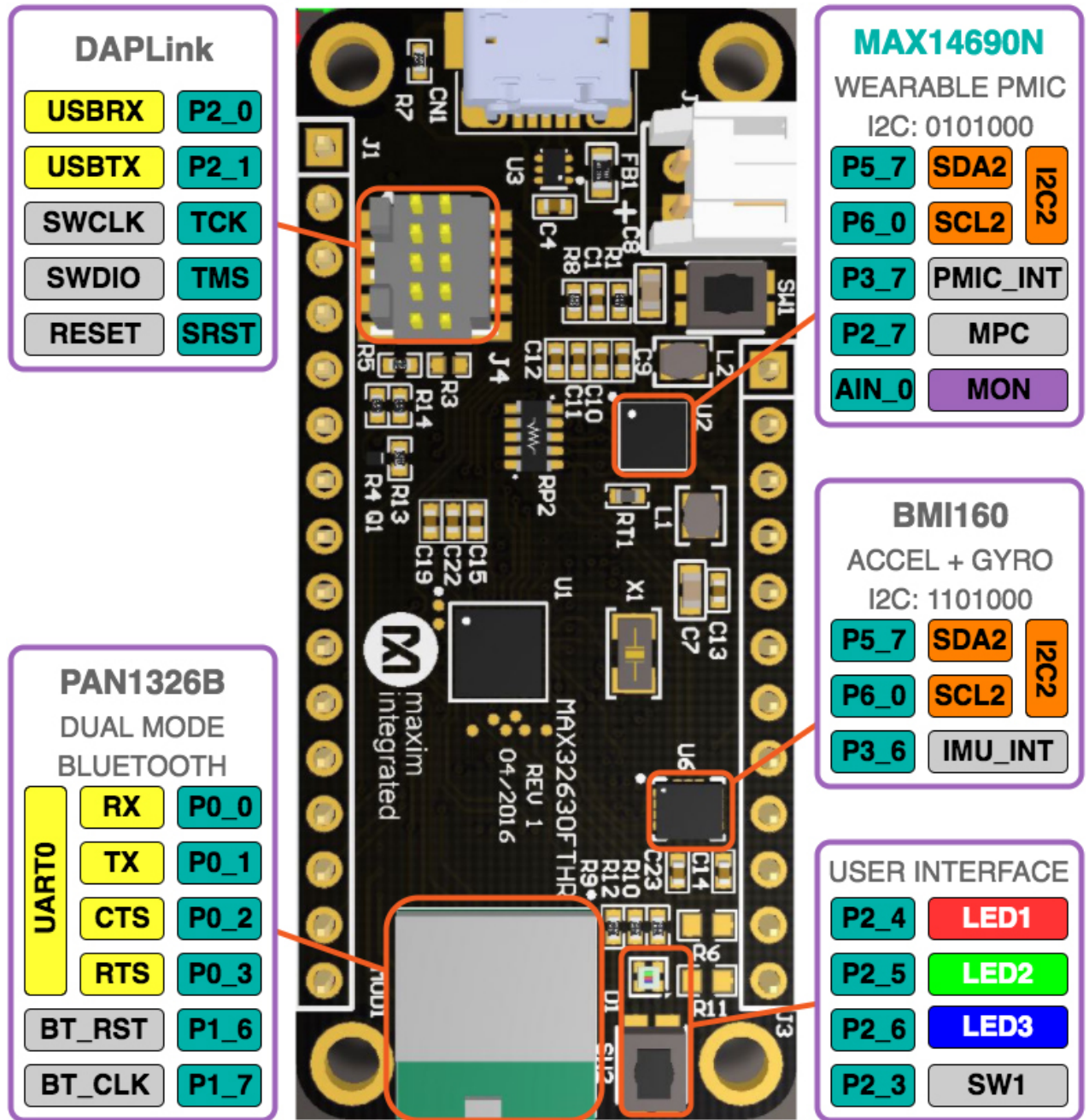


Figure 2. MAX32630 FTHR Top Side Components

MAX32630FTHR Application Platform

<https://developer.mbed.org/platforms/MAX32630FTHR/>

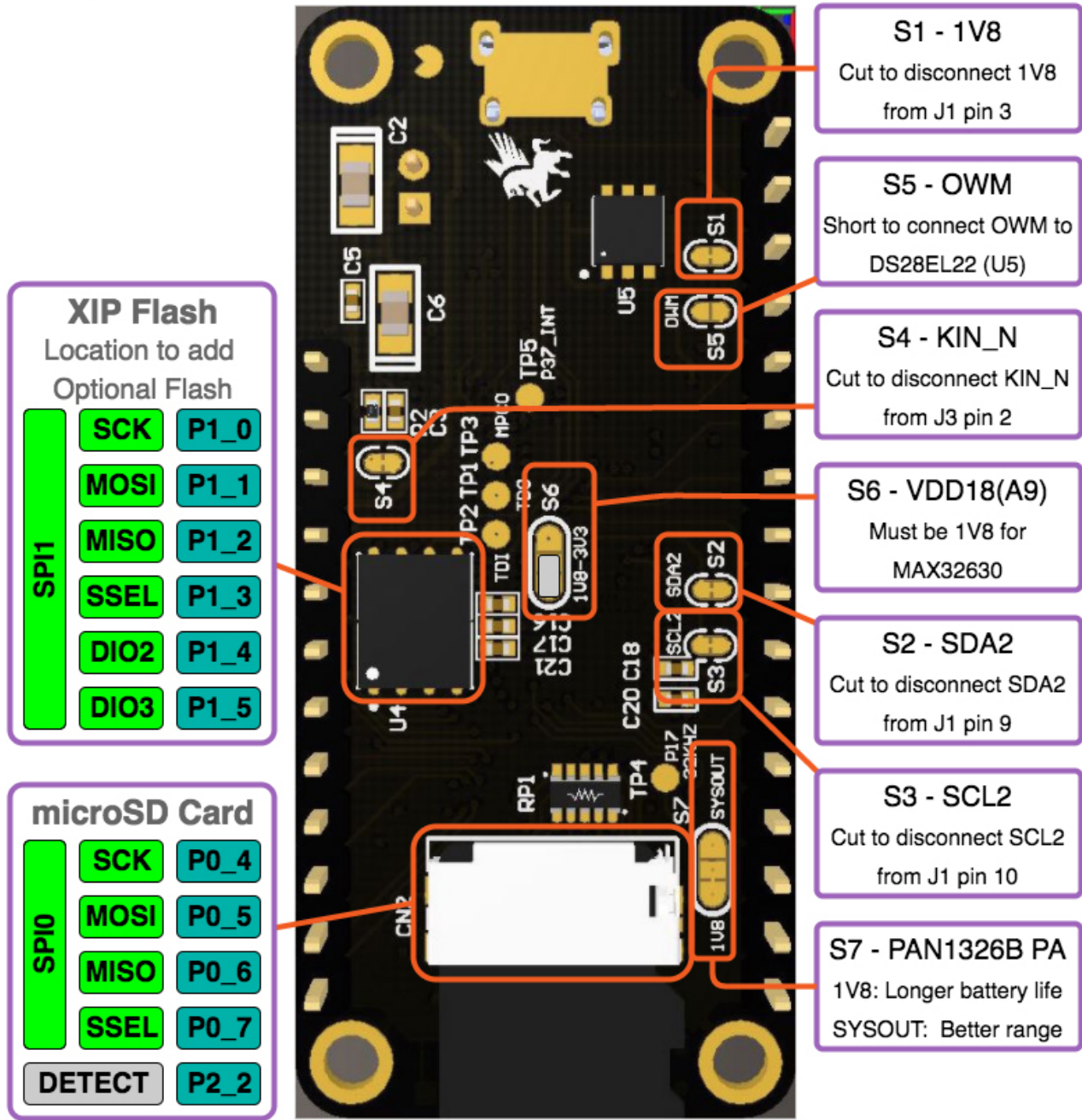


Figure 3. MAX32630 FTHR Bottom Side Components

MAX32630FTHR Application Platform

Battery Charger

The MAX14690 includes a battery charger suitable for lithium-ion (Li+) and lithium polymer (Li-Poly) batteries. The charge current is set by a resistor attached to the SET pin on the MAX14690. The 20kΩ resistor installed by default sets the charge current at 100mA that is tolerable for most typical batteries with a capacity greater than or equal to 100mAh. The default charge voltage is 4.2V,

but this is programmable by I²C. **Refer to the MAX14690 data sheet and the data sheet for your battery to ensure compatibility.**

Expansion Headers

Note: All port pins labeled Pn_n are capable of GPIO and PWM.

Table 1. J1 Pinout

| PIN | PORT | DESCRIPTION |
|-----|-----------|-----------------------------------------------------------------------------------------------------------------------------------------------------------------------------------|
| 1 | RSTN | Master Reset Signal |
| 2 | 3V3 | LDO3 Adjustable Output. Typically used to provide 3.3V to peripherals connected to the expansion headers. This can be programmed by I ² C writes to the MAX14690 PMIC. |
| 3 | 1V8 | 1.8V Supply Voltage (Output) |
| 4 | GND | Ground |
| 5 | AIN_0 | ADC Analog Input (0V–5V). Also connected to MAX14690 MON pin. |
| 6 | AIN_1 | ADC Analog Input (0V–5V) |
| 7 | AIN_2 | ADC Analog Input (0V–1.8V) |
| 8 | AIN_3 | ADC Analog Input (0V–1.8V) |
| 9 | P5_7 | I ² C2 SDA2. Pulled to 1.8V, connected to MAX14690 and BMI160. |
| 10 | P6_0 | I ² C2 SCL2. Pulled to 1.8V, connected to MAX14690 and BMI160. |
| 11 | P5_0/P4_4 | SPI SCK. This is connected to SPIM2 and SPIS. When using one port, the other port should be configured as a high-impedance input. |
| 12 | P5_1/P4_5 | SPI MOSI. This is connected to SPIM2 and SPIS. When using one port, the other port should be configured as a high-impedance input. |
| 13 | P5_2/P4_6 | SPI MISO. This is connected to SPIM2 and SPIS. When using one port, the other port should be configured as a high-impedance input. |
| 14 | P3_0 | UART2 Rx |
| 15 | P3_1 | UART2 Tx |
| 16 | GND | Ground |

MAX32630FTHR Application Platform

Table 2. J3 Pinout

| PIN | PORT | DESCRIPTION |
|-----|-----------|------------------------------------------------------------------------------------------------------------------------------------------------------------------------------------------------------------------------------------------------------------------------------------------------------------------------------------------|
| 1 | SYS | SYS Switched Connection to the Battery. This is the primary system power supply. It automatically switches between the battery voltage and the USB supply when available. It is disconnected from the battery when the MAX14690 is turned off. |
| 2 | PWR | Power/Reset Button. This is connected to the KIN# button monitor pin of the MAX14690 PMIC. It turns on the PMIC if shorted to GND for 400ms when the PMIC is off. If shorted to GND when the part is on, it pulls reset low, and if held low for 12s, it turns off the PMIC. Applying power to the USB connector also turns on the PMIC. |
| 3 | VBUS | USB VBUS Signal. This can be used as a 5V supply when connected to USB. This pin can also be used as an input to power the board, but this should only be done when not using the USB connector since there is no circuitry to prevent current from flowing back into the USB connector. |
| 4 | P4_0 | 1-Wire Master Signal |
| 5 | P5_6 | SPIM2 SRN Signal |
| 6 | P5_5/P4_3 | SPI SDIO3. This is connected to SPIM2 and SPIS. When using one port, the other port should be configured as a high-impedance input. |
| 7 | P5_4/P4_2 | SPI SDIO2. This is connected to SPIM2 and SPIS. When using one port, the other port should be configured as a high-impedance input. |
| 8 | P5_3/P4_7 | SPI SSEL. This is connected to SPIM2 and SPIS. When using one port, the other port should be configured as a high-impedance input. |
| 9 | P3_3 | UART2 RTS |
| 10 | P3_2 | UART2 CTS |
| 11 | P3_5 | I2CM1 SCL |
| 12 | P3_4 | I2CM1 SDA |

Ordering Information

| PART | TYPE |
|---------------|----------------------|
| MAX32630FTHR# | Application Platform |

#Denotes RoHS compliant.

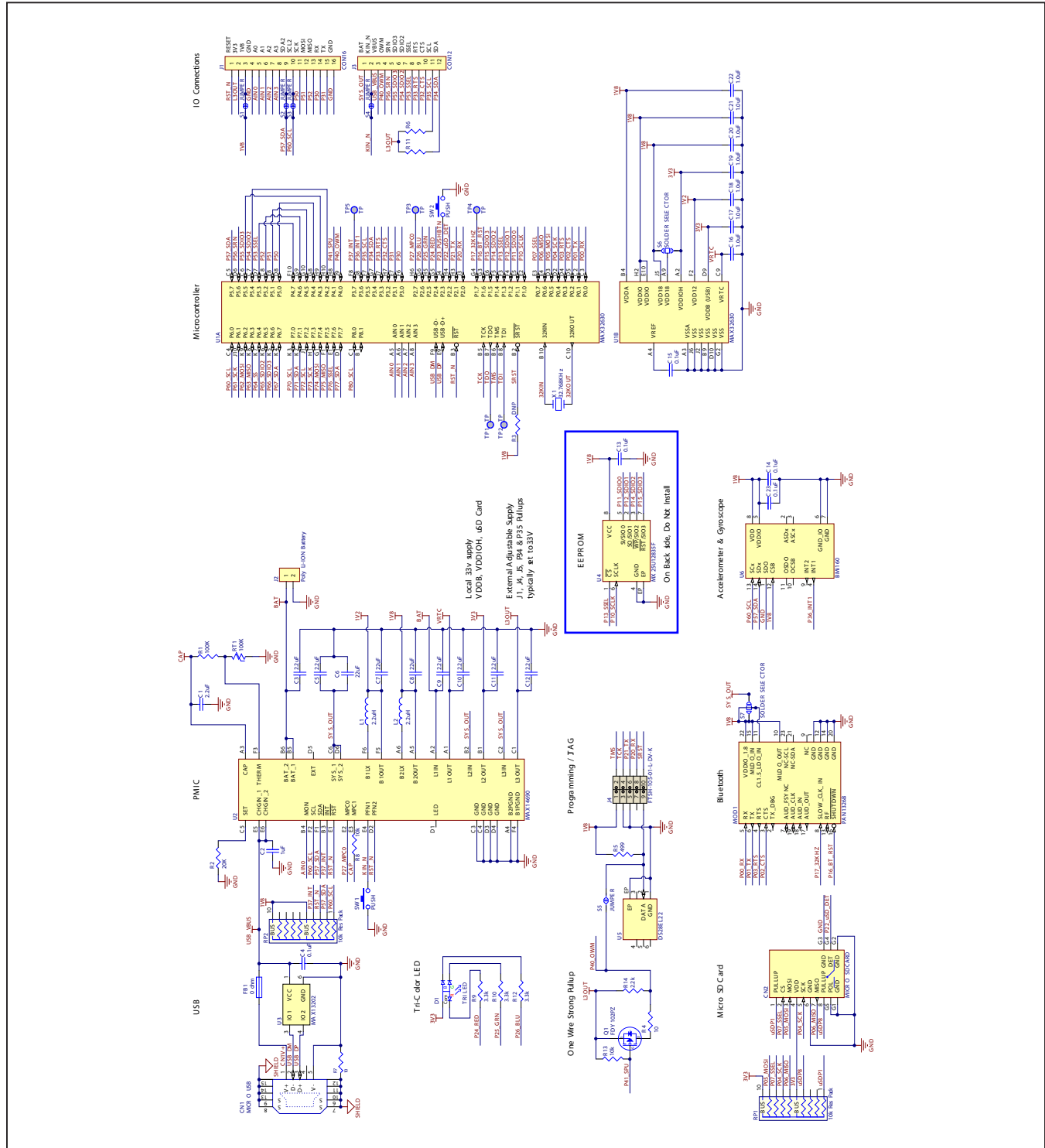
MAX32630FTHR Application Platform

MAX32630FTHR Application Platform Bill of Materials

| PART | QTY | DESCRIPTION |
|--------------------|-----|-----------------------------------------------------|
| C16–C22 | 7 | CAP CER 1 μ F 6.3V 10% X5R 0402 |
| C2 | 1 | CAP CER 2.2 μ F 35V X5R 0805 |
| C4, C13–C15, C23 | 5 | CAP CER 0.1 μ F 16V X7R 0402 |
| C1, C3, C5, C9–C12 | 7 | CAP CER 2.2 μ F 35V X5R 0402 |
| C6 | 1 | CAP CER 22 μ F 6.3V X5R 0805 |
| C7, C8 | 2 | CAP CER 22 μ F 6.3V X5R 0603 |
| CN1 | 1 | USB MICRO B TOP MOUNT |
| CN2 | 1 | CONN uSD Card push-pull |
| D1 | 1 | TRI COLOR LED |
| FB1 | 1 | FERRITE BEAD 60 Ω 0603 |
| J2 | 1 | 2-Pin Battery Connector |
| J4 | 1 | CONN HEADER 10POS DUAL .05" SMD |
| L1, L2 | 2 | INDUCTOR 2.2 μ H 1.5A 160 MOHM |
| MOD1 | 1 | BLUETOOTH PAN1326B CC2564B HCI A |
| Q1 | 1 | MOSFET P-CH 20V 1.5A 3-DFN |
| R1 | 1 | RES SMD 100K Ω 1% 1/10W 0402 |
| R14 | 1 | RES SMD 2.2K Ω 1% 1/10W 0402 |
| R2 | 1 | RES SMD 20K Ω 1% 1/10W 0402 |
| R4, R7 | 2 | RES SMD 10 Ω 1% 1/10W 0402 |
| R5 | 1 | RES SMD 499 Ω 1% 1/10W 0402 |
| R8, R13 | 2 | RES SMD 10K Ω 1% 1/10W 0402 |
| R3, R10, R12 | 3 | RES SMD 3.3K Ω 1% 1/10W 0402 |
| RP1, RP2 | 2 | RESISTOR PACK 8 - BUSSED |
| RT1 | 1 | THERMISTOR 100K Ω NTC 0402 SMD |
| SW1, SW2 | 2 | SWITCH TACTILE SPST-NO 0.02A 15V |
| U1 | 1 | Ultra-Low Power Cortex-M4F Microcontroller |
| U2 | 1 | PMIC - Wearable Charge-Management Solution |
| U3 | 1 | 2 Channel \pm 30kv ESD Protection |
| U5 | 1 | 1-Wire SHA-256 secure authenticator + 2k bit EEPROM |
| U6 | 1 | Inertial Measurement Unit, Low Power 14 pin |
| X1 | 1 | CRYSTAL 32.768kHz 6.0PF SMD |

MAX32630FTHR Application Platform

MAX32630FTHR Application Platform System Schematic



MAX32630FTHR Application Platform

Revision History

| REVISION NUMBER | REVISION DATE | DESCRIPTION | PAGES CHANGED |
|-----------------|---------------|-----------------|---------------|
| 0 | 11/16 | Initial release | — |

For pricing, delivery, and ordering information, please contact Maxim Direct at 1-888-629-4642, or visit Maxim Integrated's website at www.maximintegrated.com.

Maxim Integrated cannot assume responsibility for use of any circuitry other than circuitry entirely embodied in a Maxim Integrated product. No circuit patent licenses are implied. Maxim Integrated reserves the right to change the circuitry and specifications without notice at any time.