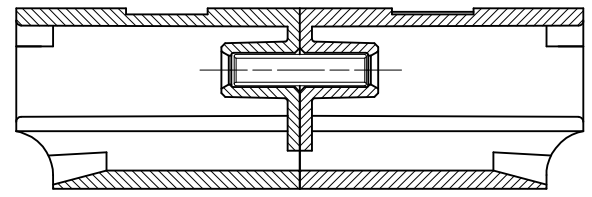
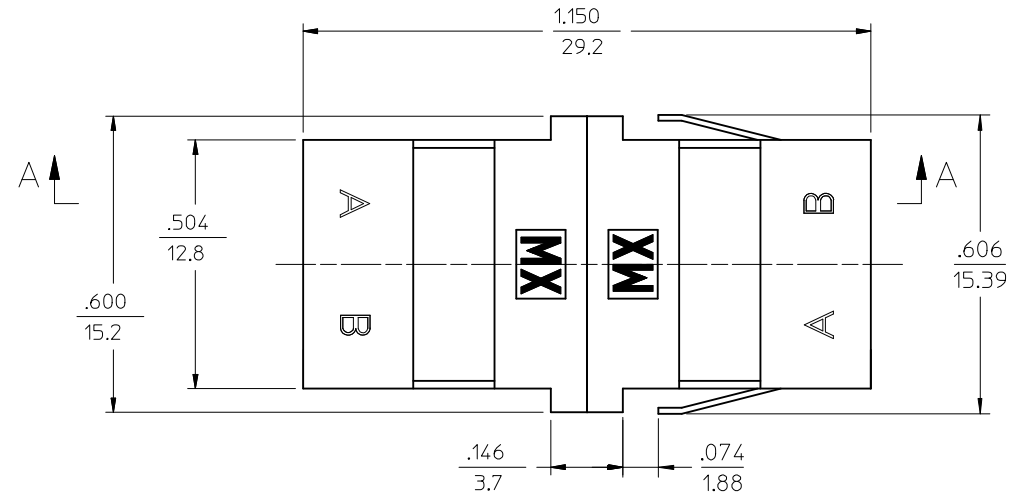
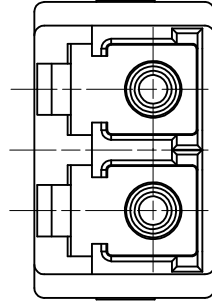
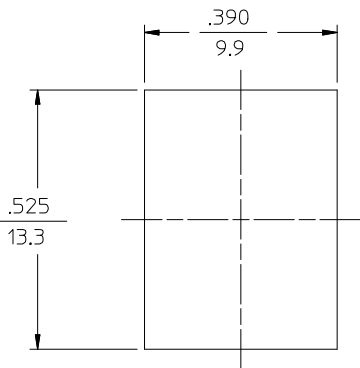


106126

LC ADAPTER ASSY. P/N	ADAPTER COLOR	SPLIT SLEEVE MATERIAL	DUST CAP COLOR
106126-0410	BEIGE	Ph. Bronze	WHITE
106126-0510	BLUE		
106126-1400			
106126-1415*			
106126-1416**			
106126-1450	GREEN	Zr	INDIGO BLUE (ANTI-STATIC)
106126-1460	BLUE		
106126-1410	BLACK		
106126-1420	BEIGE		
106126-1430	AQUA		
106126-3410	BLACK	WHITE	



SECTION A-A



RECOMMENDED MOUNTING CUTOUT  
FOR  $\frac{.063}{1.6}$  THICK PANEL

NOTES:

1. ALL DIMENSIONS ARE FOR REFERENCE ONLY.
2. ASSEMBLED DUST CAP NOT SHOWN.
- \*3. P/N 106126-1415 IS BULK PACKED IN QUANTITIES OF 100 PCS.
- \*\*4. P/N 106126-1416 IS BULK PACKED AS FOLLOWS: 500 pcs. OF ADAPTERS PER BAG.

<b>ENTER DESCRIPTION</b> EC NO: MF2014-0196 DRWN: JGUMIN 2013/10/02 CHKD: APPR: JGUMIN 2013/10/10 REV	QUALITY SYMBOLS ▽=0 ▽=0	GENERAL TOLERANCES (UNLESS SPECIFIED) mm INCH 4 PLACES ± --- ± --- 3 PLACES ± --- ± --- 2 PLACES ± --- ± --- 1 PLACE ± --- ± --- 0 PLACE ± ± ANGULAR ±1/2° DRAFT WHERE APPLICABLE MUST REMAIN WITHIN DIMENSIONS	DIMENSION STYLE IN/MM DRAWN BY DATE PGIBLIN 2005/10/05 CHECKED BY DATE APPROVED BY DATE	SCALE 1:1 DESIGN UNITS INCH THIRD ANGLE PROJECTION	TITLE LC DUPLEX ADAPTER (SMALL FLANGE/SC FOOT PRINT) <b>molex</b> MATERIAL NO. SEE TABLE DOCUMENT NO. SD-106126-X4X0	SHEET NO. 1 OF 1
	THIS DRAWING CONTAINS INFORMATION THAT IS PROPRIETARY TO MOLEX INCORPORATED AND SHOULD NOT BE USED WITHOUT WRITTEN PERMISSION					
	THIS DRAWING CONTAINS INFORMATION THAT IS PROPRIETARY TO MOLEX INCORPORATED AND SHOULD NOT BE USED WITHOUT WRITTEN PERMISSION					
	THIS DRAWING CONTAINS INFORMATION THAT IS PROPRIETARY TO MOLEX INCORPORATED AND SHOULD NOT BE USED WITHOUT WRITTEN PERMISSION					