

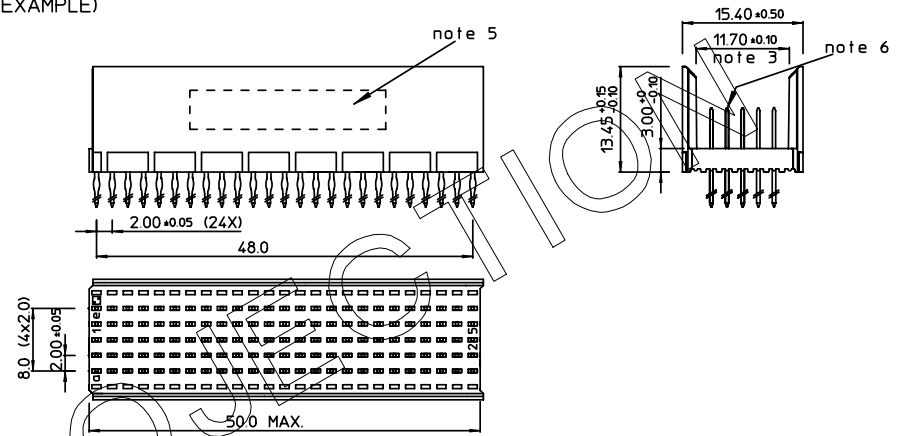
GEN. ST.	01	02	03	04	05	06	07	08	0D	50	60	70	80	90																	
INT. ST.	10	11	12	13	14	18	20	31	32	33	34	38	39	40	42	43	44	45	46	48	56	70	72	73	75	76	81	82	83	84	88

REV.	DATE	DESCRIPTION	BY	C'K'D'
A	2001-09-14	CONVERSION REVISION 02	KN	
B	2002-05-28	EC B20086	MF	
C	2005-10-28	105-0208	VIVEK	BKP
D	2006-07-10	106-0097	VIVEK	BKP

### LOADING PATTERN MATING SIDE

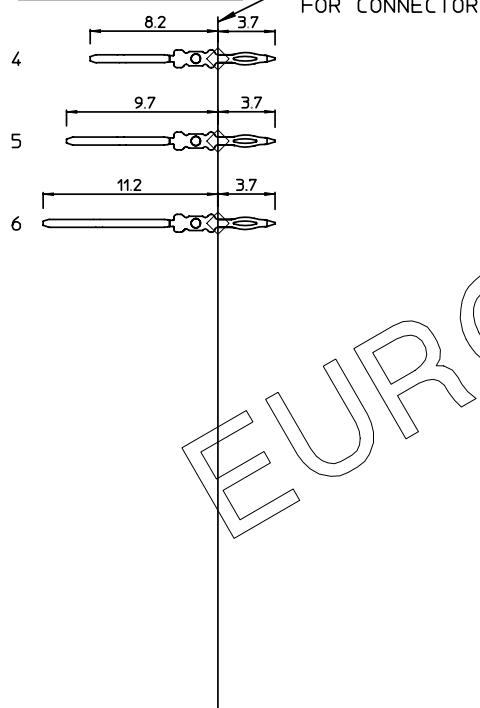
f	0	0	0	0	0	0	0	0	0	0	0	0	0	0	0	0	0	0	0	0	0	0
e	5	4	0	4	6	6	4	0	4	6	6	5	5	6	5	5	5	5	5	5	5	5
d	5	4	0	4	6	6	4	0	4	6	6	5	5	6	5	5	5	5	5	5	5	5
c	5	4	0	4	6	6	4	0	4	6	6	5	5	6	5	5	5	5	5	5	5	5
b	5	4	0	4	5	5	4	0	4	5	5	5	5	5	5	5	5	5	5	5	5	5
a	5	4	0	4	6	6	4	0	4	6	6	5	5	6	5	5	5	5	5	5	5	5
z	0	0	0	0	0	0	0	0	0	0	0	0	0	0	0	0	0	0	0	0	0	0
PO	0	1		0	5		0		1	5		0		2	5		0		2	5		0

### LOADED CONNECTOR ASSEMBLY (FOR EXAMPLE)

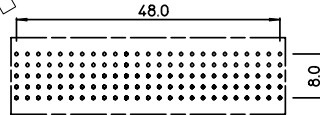


SHEET NR. : 38

### CONTACT OVERVIEW



### LAY-OUT P.C.B.-HOLE



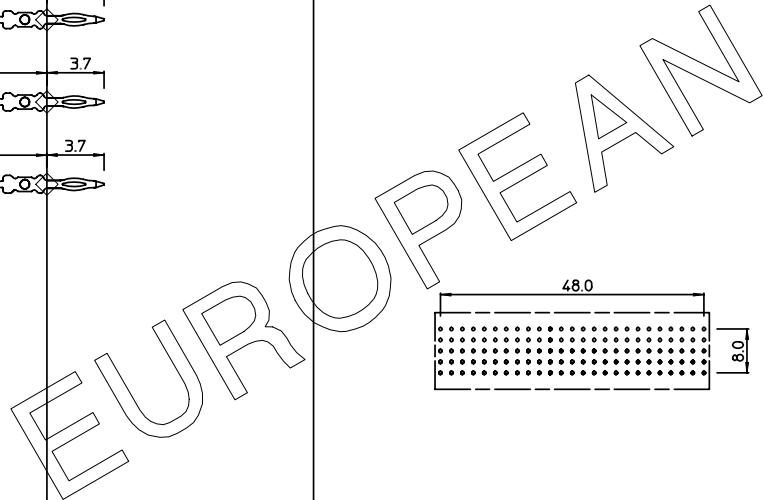
LEAD FREE INDICATOR : LF = LEAD FREE (DIGIT 15 & 16)

HM2P08PDE150

PLATING CODE (DIGIT 13 AND 14) (REF DWG No. BS.C , 201844, 003)

### NOTES:

- 1. THIS PRODUCT IS CSA APPROVED.
- 2. THIS PRODUCT IS UL RECOGNIZED.
- 3. MEASURED AT THE BOTTOM.
- 4. MATERIAL CONTACT: PHOSPHORBRONZE  
HOUSING: CREAM WHITE GLASSFILLED POLYESTER UL-94V0
- 5. CONNECTOR PRINTED WITH P/N AND DATE CODE.
- 6. FOR ACTUAL CONTACT LOADINGS, SEE LOADING PATTERN MATING SIDE.
- 7. SHAPE OF CONNECTOR HOUSING CAN ALTER DEPENDING ON PRODUCTION LOCATION.
- 8. THE PRODUCT (LF) MEETS EUROPEAN UNION DIRECTIVES AND OTHER COUNTRY REGULATIONS AS DESCRIBED IN GS-22-008
- 9. FOR RECOMMENDED PTH DIMENSIONS REFER DRAWING : BS.A , 201572, 001



1DEC ±0,2 2DEC ±0,1 ANGLES ±1°	<b>APPR.</b>	<b>DATE</b>	<b>SIGN.</b>	<b>LOADING PATTERN OVERVIEW</b>
	DRAFT	1998-04-27	M.FreJ	<b>CAT. No.</b> HM2P08PDE150----
	CHECKED			<b>SCALE</b>
WE RESERVE THE RIGHT TO CHANGE DIMENSIONS OR REQUIREMENTS WITHOUT PRIOR NOTICE.	PRD. MGR.			<b>FCJ</b> www.fciconnect.com
ALL DIMENSIONS IN MM	PR. ENG. MGR.			
	PR. MGT. MGR.			

### REFERENCES



BS.C , 201843, 511 D  
DRAWING No. CUSTOMER DRAWING REVISION

PDM: Rev: D

STATUS: Released Printed: Dec. 01, 2007