

5

4

3

2

1

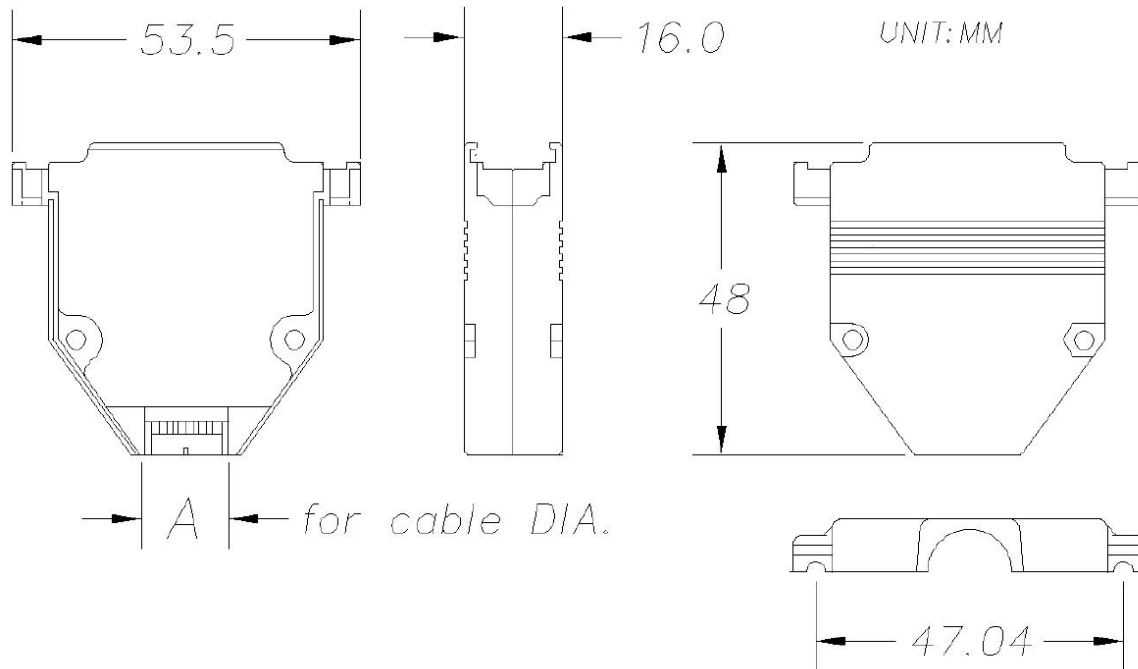
Description: D-Sub Hood, Shielded Heavy Duty Metal, 25 Pins
 Part No: 40-9725HMG

DRAWING NO.
40-9725HMG-CUST

REVISIONS

01 OFFICIAL RELEASE

12-19-12	G Z	M W	M L		ECO-12-0335
----------	--------	--------	--------	--	-------------



A: 7, 9, 10, 11, 13,

DIM OUTLINE

KEEP ON

CUSTOMER COPY

TOLERANCE UNLESS OTHERWISE SPECIFIED		DRAWN BY GARY.ZHG	DATE 12-19-12
DECIMALS	mm	CHECKED BY MONICA.W	DATE 12-19-12
X.X	+ 0.2	APPROVED BY MA LIN	DATE 12-19-12
X.XX	+ 0.1	U/M	mm
X.XXX	+0.08		
ANGLES	+ 0.5°		



TITLE
D-Sub Hood, Shielded Heavy Duty Metal, 25 Pins

SHEET 1 OF 1	DRAWING NO. 40-9725HMG-CUST	SIZE A
-----------------	--------------------------------	-----------

THIS DRAWING WAS PRODUCED BY COMPUTER,
DO NOT SCALE DRAWING OR UPDATE MANUALLY.

5

4

3

2

1