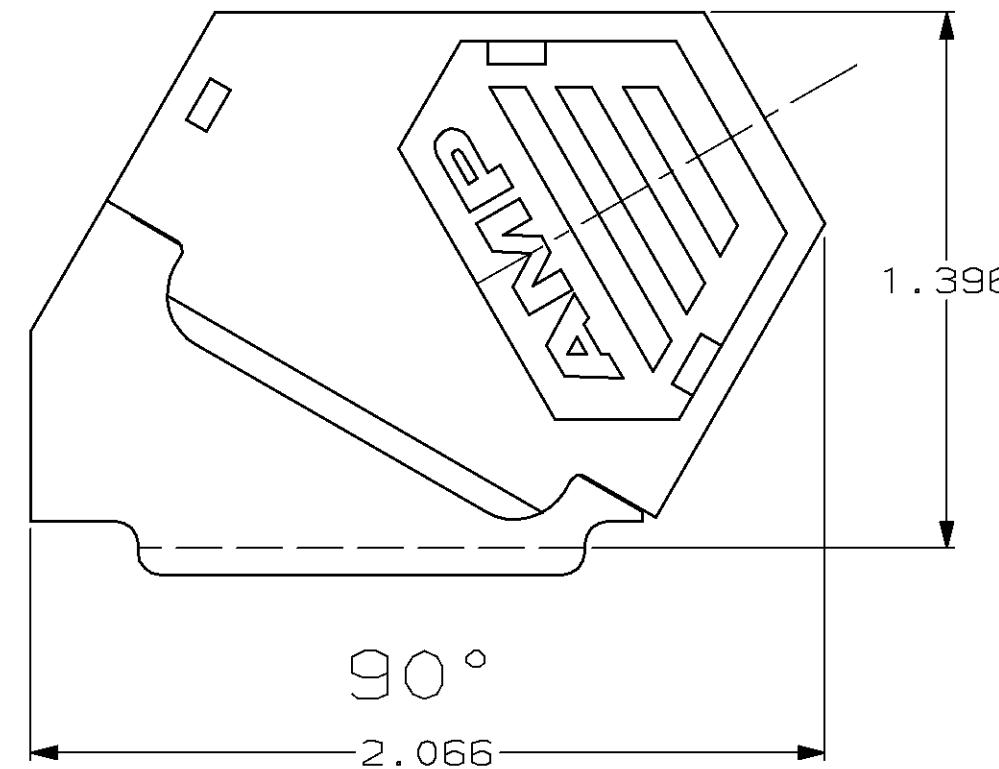
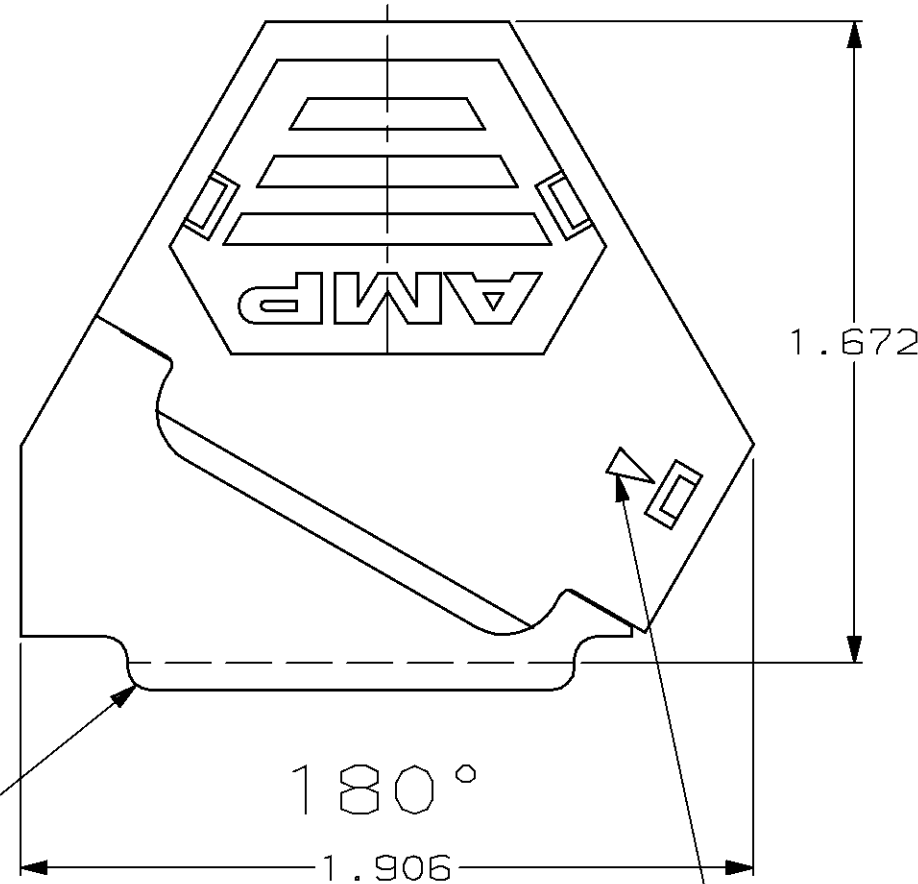
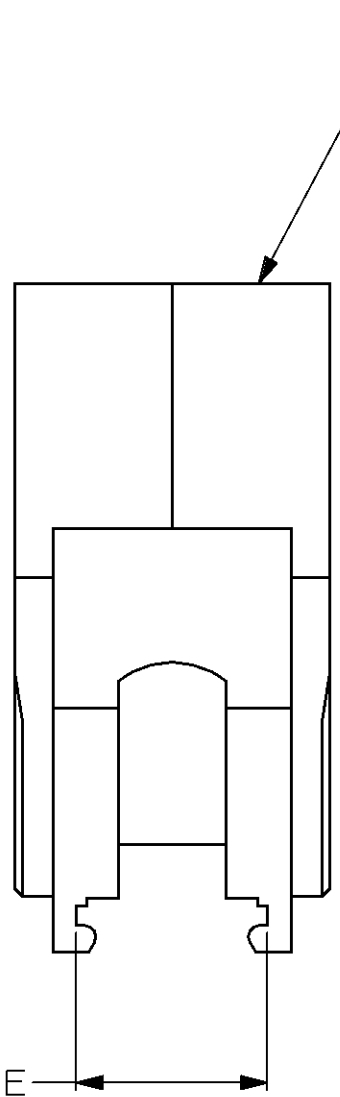
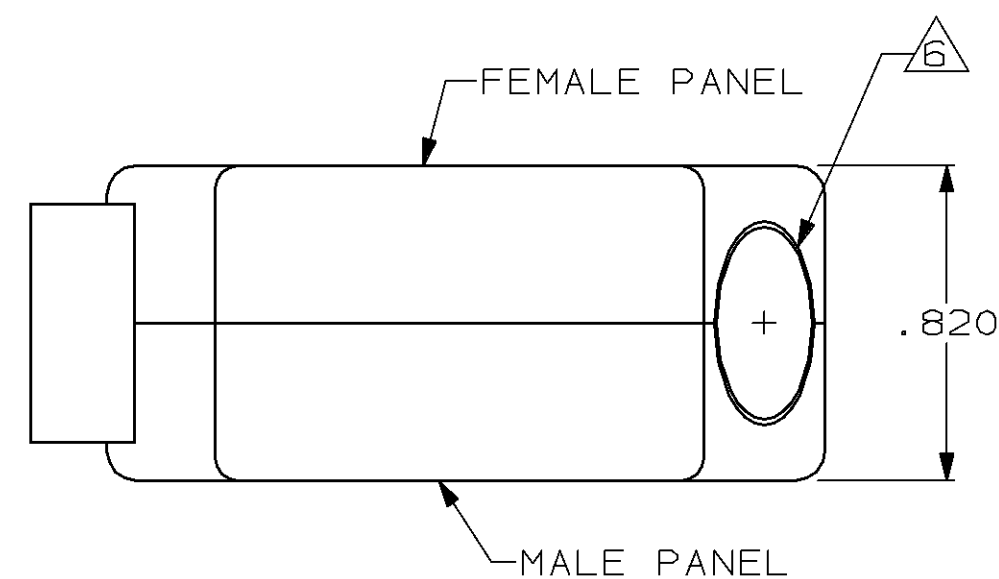
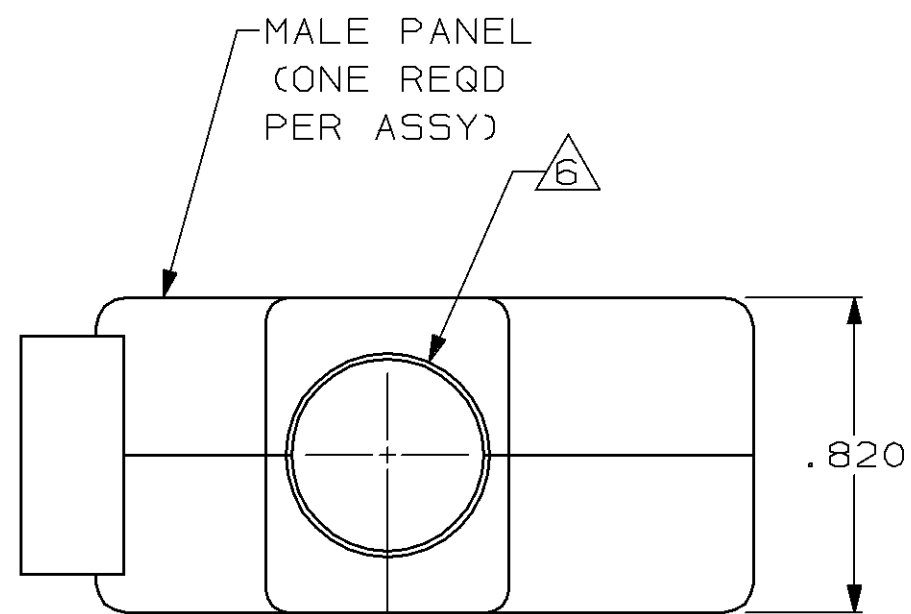
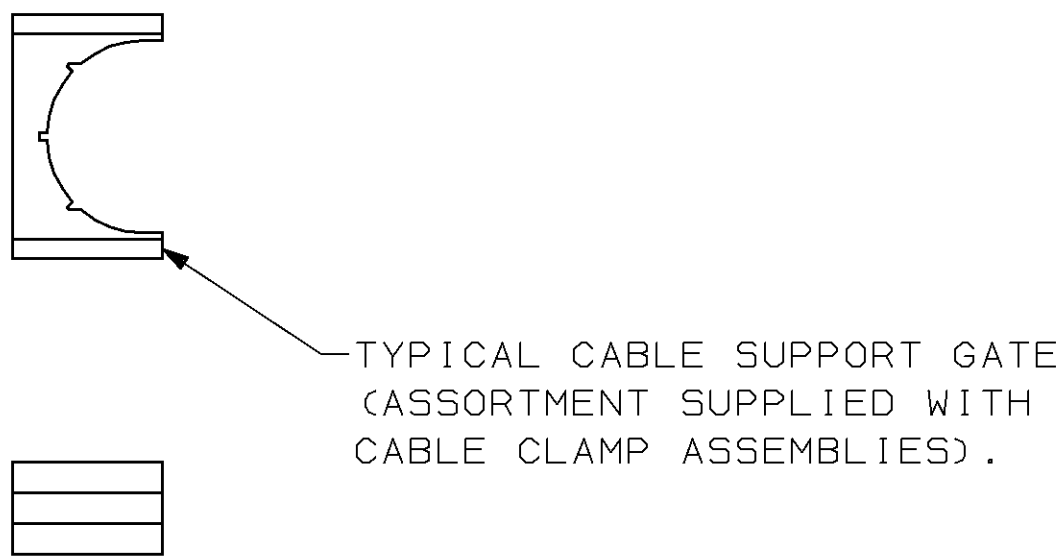


LOC	DIST	P	F	ZONE	LTR	DESCRIPTION	DATE	APPD
BD	48				C	REDRAWN ON CAD	5-10-90	-
					D	REV PER ECN BD6079	06/16/92	RM
					E	OBSOLETE -2 PER EC 0020-712-95	03 FEB 96	CS



POINTER INDICATES THIS PANEL ONLY FOR SCREW DRIVER, TO DISASSEMBLE.

OBSOLETE	4	745306-2
	1 2 3	745306-1
	PACKAGING	PART NUMBER

- 1 ALL PARTS PACKAGED UNASSEMBLED.
- 2 SAME PARTS CAN BE ASSEMBLED IN EITHER 180° OR 90° CONFIGURATION, AS SHOWN.
- 3 KIT CONSISTING OF FOUR INDIVIDUAL PARTS, AS SHOWN.
- 4 EACH PART IS INDIVIDUALLY BULK PACKED FOR MULTIPLE KIT ORDERS.
- 5. PARTS ASSEMBLE WITHOUT HARDWARE.
- 6 CLAMP ACCOMMODATES DISCRETE WIRES OR JACKETED CABLE UP TO .550 INCH DIAMETER.

DO NOT SCALE PRINT. UNLESS SPECIFIED DIMENSIONS IN INCHES TOLERANCES ON : 2 PLC DEC ± - 3 PLC DEC ± .015 ANGLES ± -	DR 5-10-90 J.GALLUCCI BG	AMP INCORPORATED Harrisburg, Pa. 17105	
	CHK 6-15-90 W.LENKER		
MATERIAL BLACK THERMOPLASTIC	APPD 7-9-90 J.WESTMAN	NAME KIT, CABLE CLAMP ASSY, SIZE 3, AMPLIMITE™	
FINISH -	APPD 7-16-90 J.ASSINI	SIZE C	FSCM NO 00779
	PRODUCT SPEC -	DRAWING NO 745306	
	APPLICATION SPEC -	SCALE 2:1	SHEET 1 OF 1
	WEIGHT -		