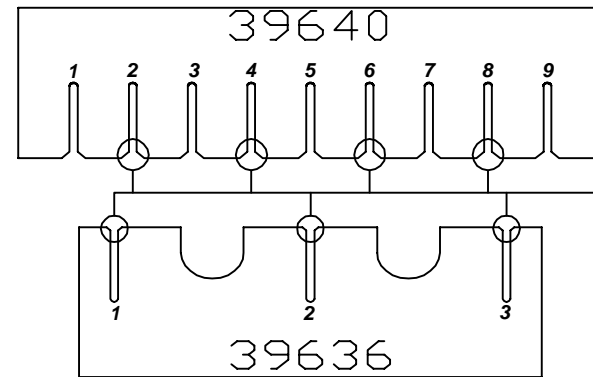


# Assembly Instructions for - 37200

Folded Long Partition

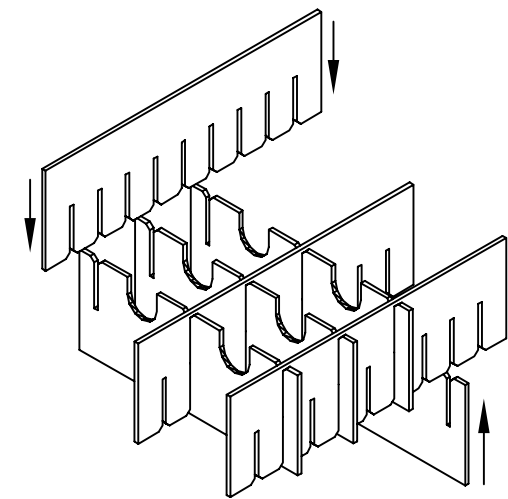
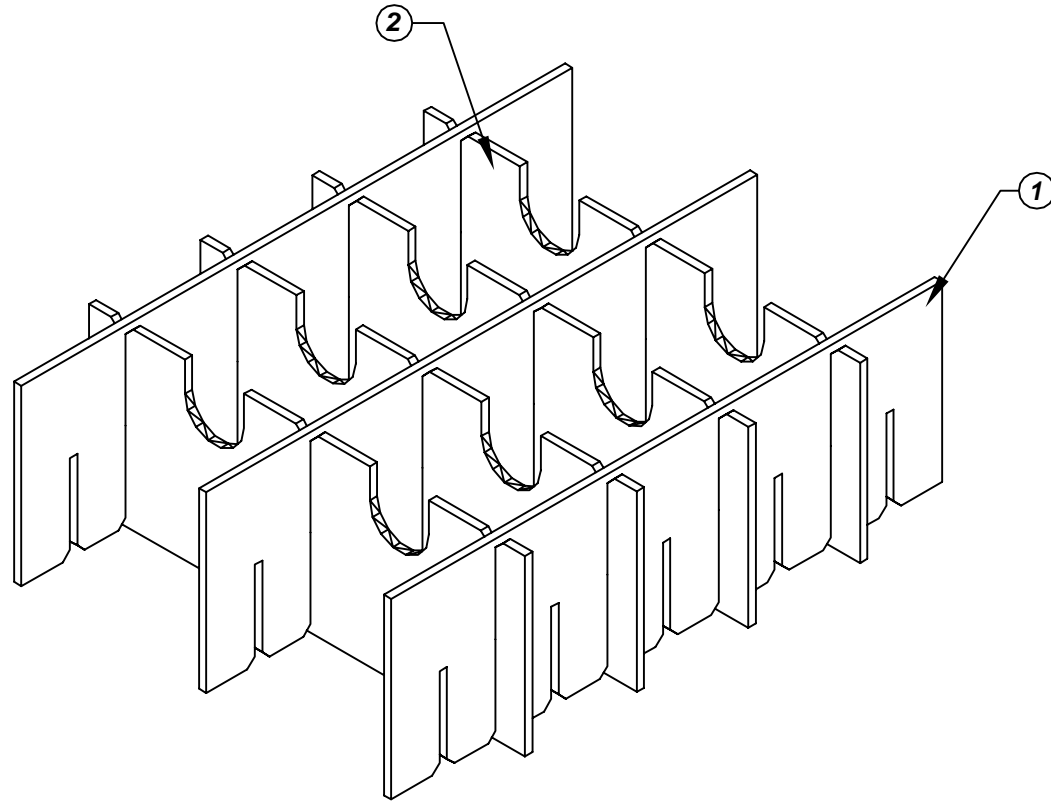


①

Use only the circled slots for partition assembly

②

Folded Short Partition



Made in America

F/N ①	Part # 39640	Dimensions: 12" x 18-5/8"	Description: 406-HLP Long Partition	Qty: 3
F/N ②	Part # 39636	Dimensions: 12" x 14-3/4"	Description: 406/468-HSP Short Partition	Qty: 4

## 37200 - 10 Cell Inplant Handler Cell Size - 5-7/8" x 6-1/4" x 3-5/8"

Notes:  
For use with the following storage container & lid:  
37506 - Storage Container  
37554 - Lid

PROTEKTIVE PAK  
13520 MONTE VISTA AVENUE, CHINO, CA 91710  
PHONE (909) 627-2578, FAX (909) 363-7331  
ProtektivePak.com



DRAWING NUMBER  
**IPH-37200**

DATE  
**Nov. 2007**