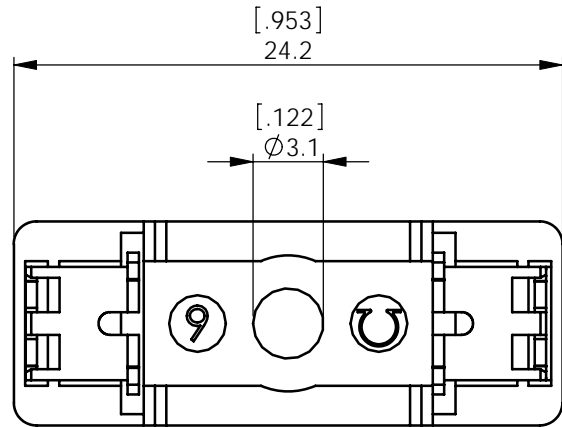


REV.	MODIFICATION.	DATE	DRN
01	NEW DRAWING	17/11/04	NJB
02	ECN 04-227	10/12/04	NJB
03	ECN 06-051	20/03/06	OW
04	ECN07-032	08/02/07	SF
05	CO2010869	07/01/10	MT



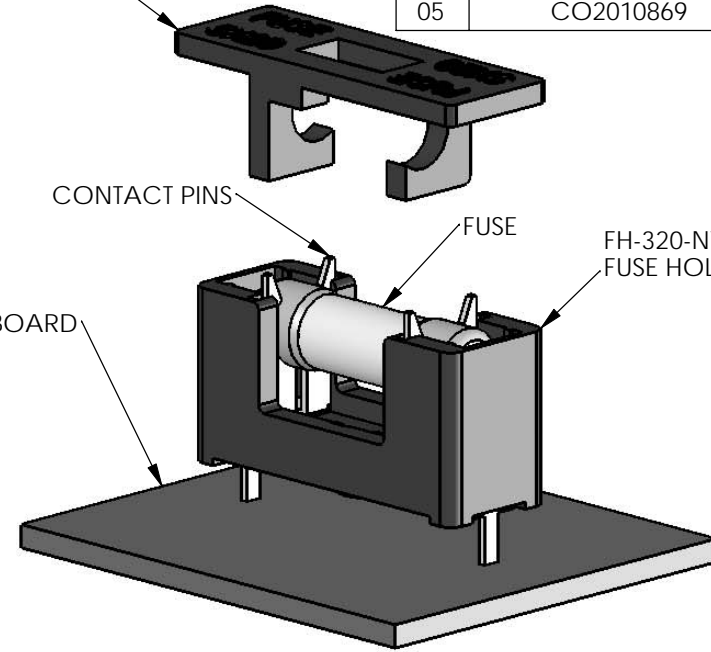
FC-320-NV
FUSE COVER

CONTACT PINS

FUSE

FH-320-NV
FUSE HOLDER

MOUNTING BOARD



TYPICAL APPLICATION VIEW

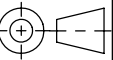
ALTERNATE UNITS FOR REFERENCE ONLY

INFORMATION CONTAINED IN THIS DOCUMENT IS CONFIDENTIAL TO RICHCO INTERNATIONAL Co. Ltd. AND MAY NOT BE DISCLOSED OR REPRODUCED IN WHOLE OR PART WITHOUT THEIR WRITTEN CONSENT.

RICHCO, INC.
WWW.RICHCO-INC.COM

ALL DIMENSIONS IN mm
GENERAL TOLERANCES ±0.25
UNLESS OTHERWISE STATED
1 DECIMAL PLACE ±
2 DECIMAL PLACES ±
ANGULAR ±1°

THIRD
ANGLE



MATERIAL:
SEE TABLE

COLOUR:
SEE TABLE

DESCRIPTION:
FUSE HOLDER, BOARD MOUNTED

PART No:
FH-320-NV

DRG No:
04-165

NPR No:

SHEET SIZE A4

DRN
NJB

DATE
17/11/04

CHKD
OW

DATE
17/11/04

SCALE
NTS

SHEET No.
1 OF 1

NOTES:
NOMINAL CURRENT; 6.3A
NOMINAL VOLTAGE; 250V
ELECTRICAL VALIDATION; IEC EN 60127-6

PART	MATERIAL	COLOUR
FH-320-NV	NYLON 6/6 25% GF (RMS-49)	BLACK
CONTACT PINS	BRASS (CuZn 33) (RMS-289) + FLASH NICKEL & 4/5 MICRONS TIN 60/40 (RMS-217)	

