

1

2

3

4

5

6

7

A

B

C

D

E

F

A

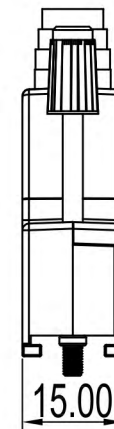
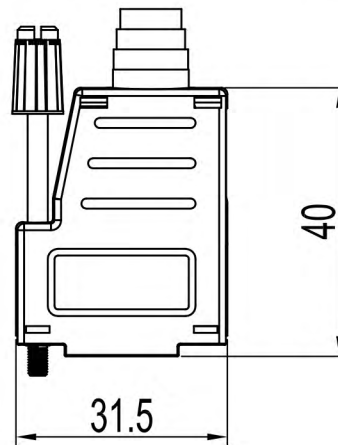
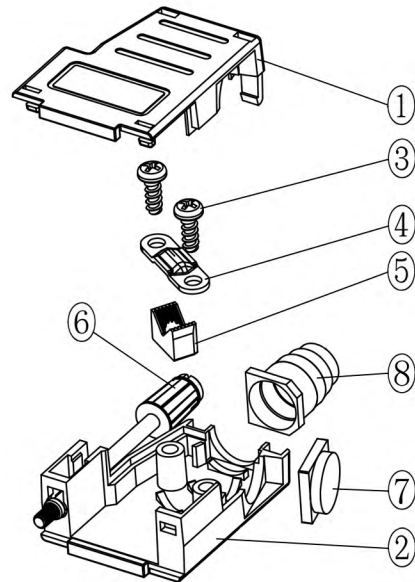
B

C

D

E

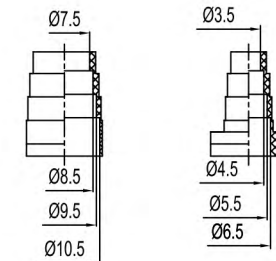
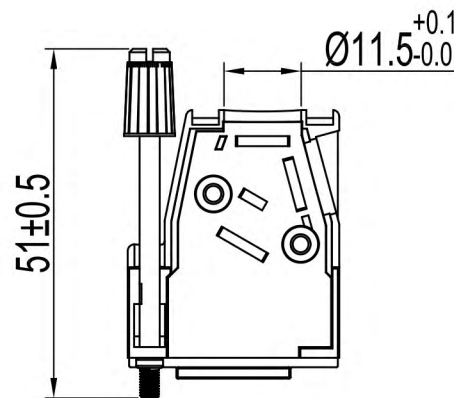
F



### TECHNICAL SPECIFICATIONS

Material: ABS Plastic, UL94-HB  
 Plating: Nickel over Copper  
 Operating Temperature: -55°C to +110°C  
 Thumbscrews: UNC 4-40

No. of contacts: 09-15-25



Metalized Grommets

Item	QTY	Part description
1	1	Upper Cover
2	1	Lower Cover
3	2	EPS 3x8 Self Tapping Screw
4	1	Cable Clamp
5	1	Metalized Plastic Insert
6	1	Jackscrews UNC4-40 x 51mm
7	1	Metalized Blanker
8	1	Metalized Grommet

**RoHS compliant**  
 Unit: mm

Scale	Free				Date	Name	Customer-No.	
TOLERANCE					Drawn	17.08.2017	S.Bölling	
0~6	±0.10				Approved	17.08.2017	S.Bölling	
6~30	±0.20							
30~120	±0.30							
120~400	±0.50							
DIM	Tol							
Angle	±1°	Ⓢ	Drawn	17.08.2017				S.Bölling
Angle	Tol	Id.	Modification	Date				Name

Customer-No.  
 ASSMANN WSW-No.  
**ACOV-SUB-09MB11**

Drawing-No.  
**ASS\_5252\_CO** rev00  
 Replace  
 Sheet 1/3

1

2

3

4

5

6

7

SV4382

1

2

3

4

5

6

7

A

A

B

B

C

C

D

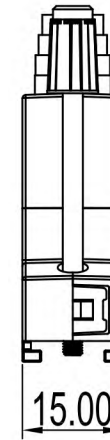
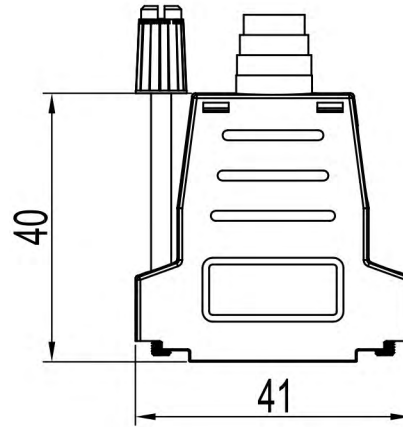
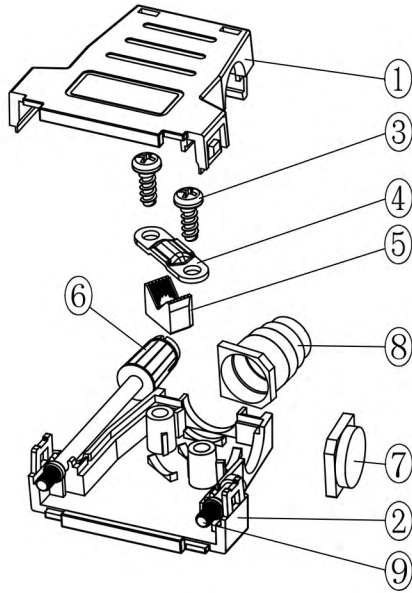
D

E

E

F

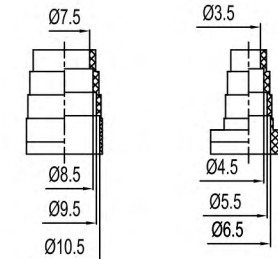
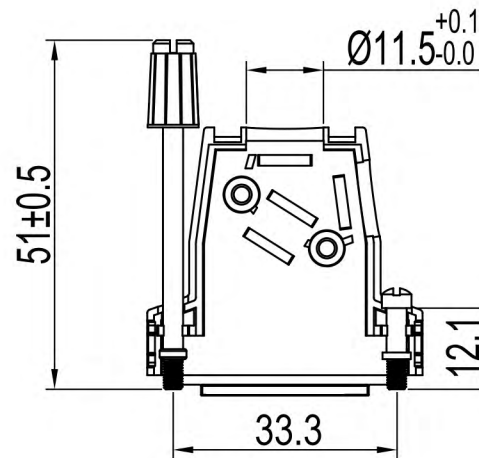
F



### TECHNICAL SPECIFICATIONS

Material: ABS Plastic, UL94-HB  
 Plating: Nickel over Copper  
 Operating Temperature: -55°C to +110°C  
 Thumbscrews: UNC 4-40

No. of contacts: 09-15-25



Metalized Grommets

Item	QTY	Part description
1	1	Upper Cover
2	1	Lower Cover
3	2	EPS 3x8 Self Tapping Screw
4	1	Cable Clamp
5	1	Metalized Plastic Insert
6	2	Jackscrews UNC4-40 x 51mm
7	1	Metalized Blanker
8	1	Metalized Grommet
9	1	Jackscrew UNC4-40 x 12.1mm

**RoHS compliant**  
 Unit: mm

Scale	Free				Date	Name	Customer-No.
TOLERANCE					Drawn	17.08.2017	S.Bölling
0~6	±0.10				Approved	17.08.2017	S.Bölling
6~30	±0.20						
30~120	±0.30						
120~400	±0.50						
DIM	Tol						
Angle	±1°	©	Drawn	17.08.2017	S.Bölling	ASSMANN WSW-No. <b>ACOV-SUB-15MB11</b>	
Angle	Tol	Id.	Modification	Date	Name	Drawing-No. <b>ASS_5252_CO</b>	rev00
						Replace	Sheet 2/3

**ASSMANN**  
 WSW components

1

2

3

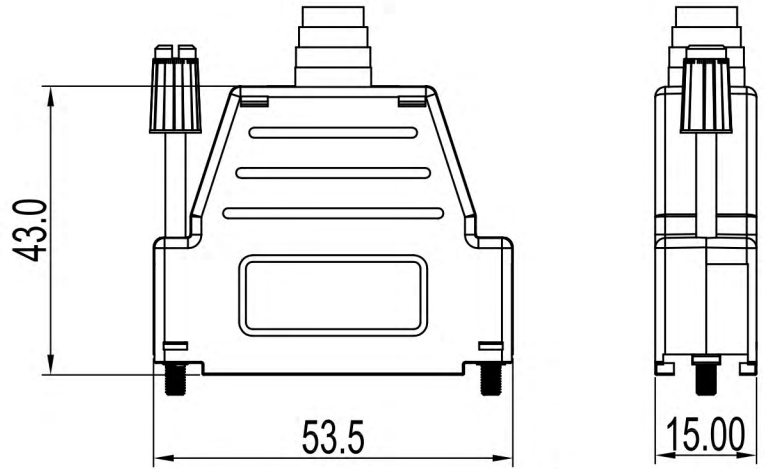
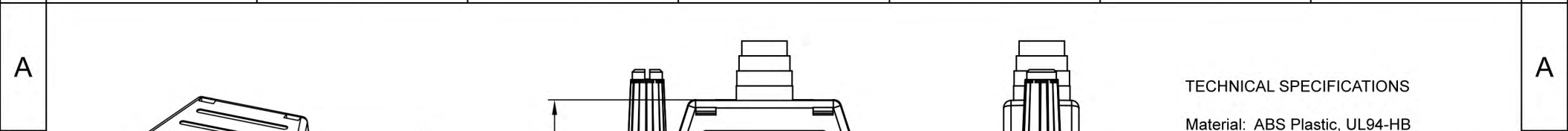
4

5

6

7

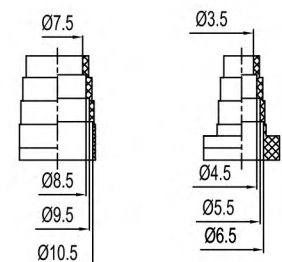
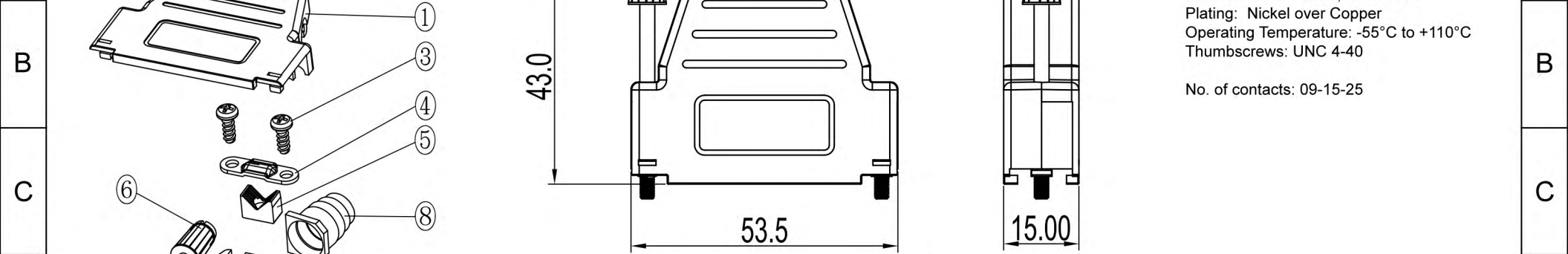
SV4382



**TECHNICAL SPECIFICATIONS**

Material: ABS Plastic, UL94-HB  
 Plating: Nickel over Copper  
 Operating Temperature: -55°C to +110°C  
 Thumbscrews: UNC 4-40

No. of contacts: 09-15-25



Metalized Grommets

Item	QTY	Part description
1	1	Upper Cover
2	1	Lower Cover
3	2	EPS 3x8 Self Tapping Screw
4	1	Cable Clamp
5	1	Metalized Plastic Insert
6	2	Jackscrews UNC4-40 x 51mm
7	1	Metalized Blanker
8	1	Metalized Grommet
9	1	Jackscrew UNC4-40x18.1mm

**RoHS compliant**  
 Unit: mm

Scale	Free	Date	Name	Customer-No.
TOLERANCE		Drawn	17.08.2017	S.Bölling
0~6	±0.10	Approved	17.08.2017	S.Bölling
6~30	±0.20			
30~120	±0.30			
120~400	±0.50			
DIM	Tol			
Angle	±1°			
Angle	Tol			
©	Drawn	17.08.2017	S.Bölling	
Id.	Modification	Date	Name	

Customer-No.  
 ASSMANN WSW-No.  
**ACOV-SUB-25MB11**

Drawing-No.  
**ASS\_5252\_CO** rev00  
 Replace Sheet 3/3