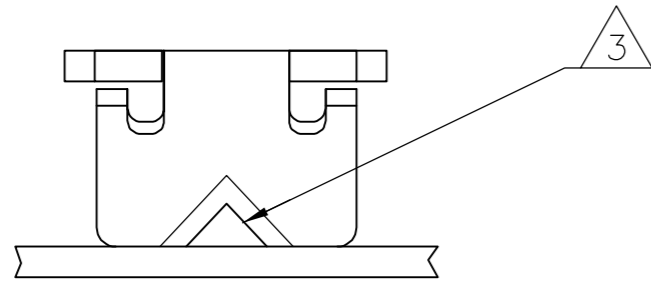
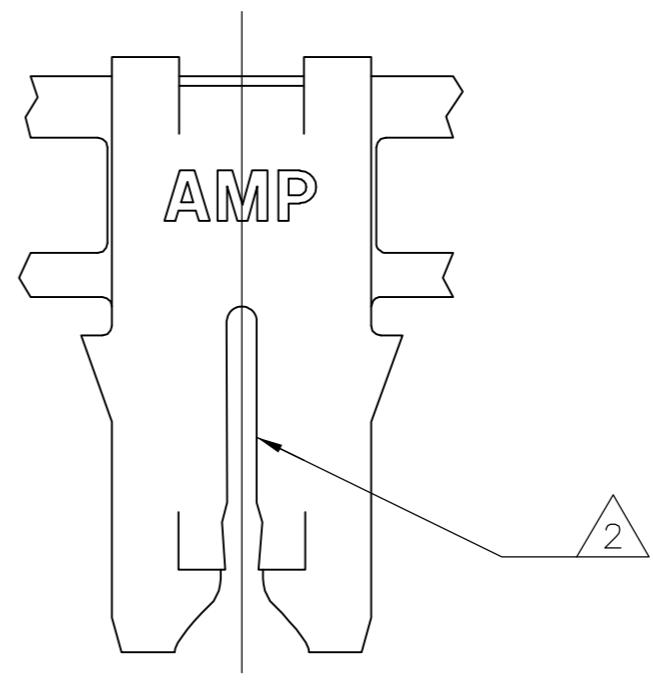
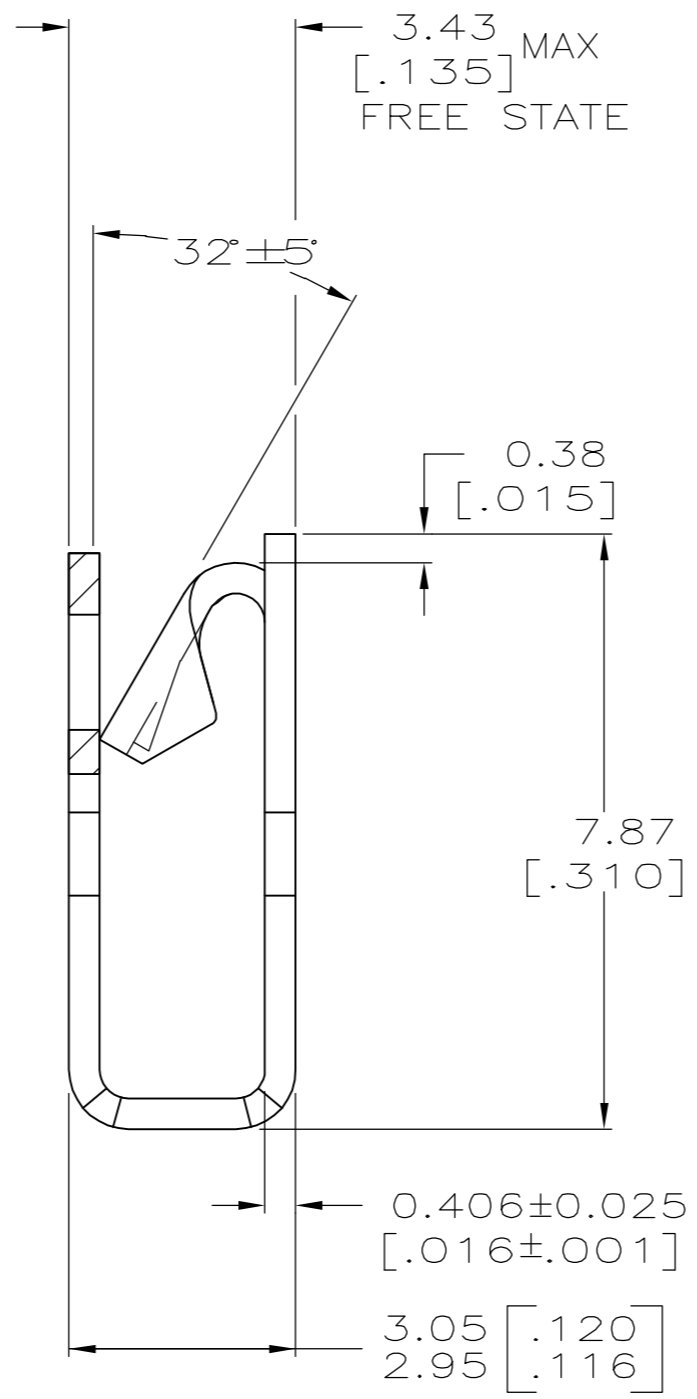
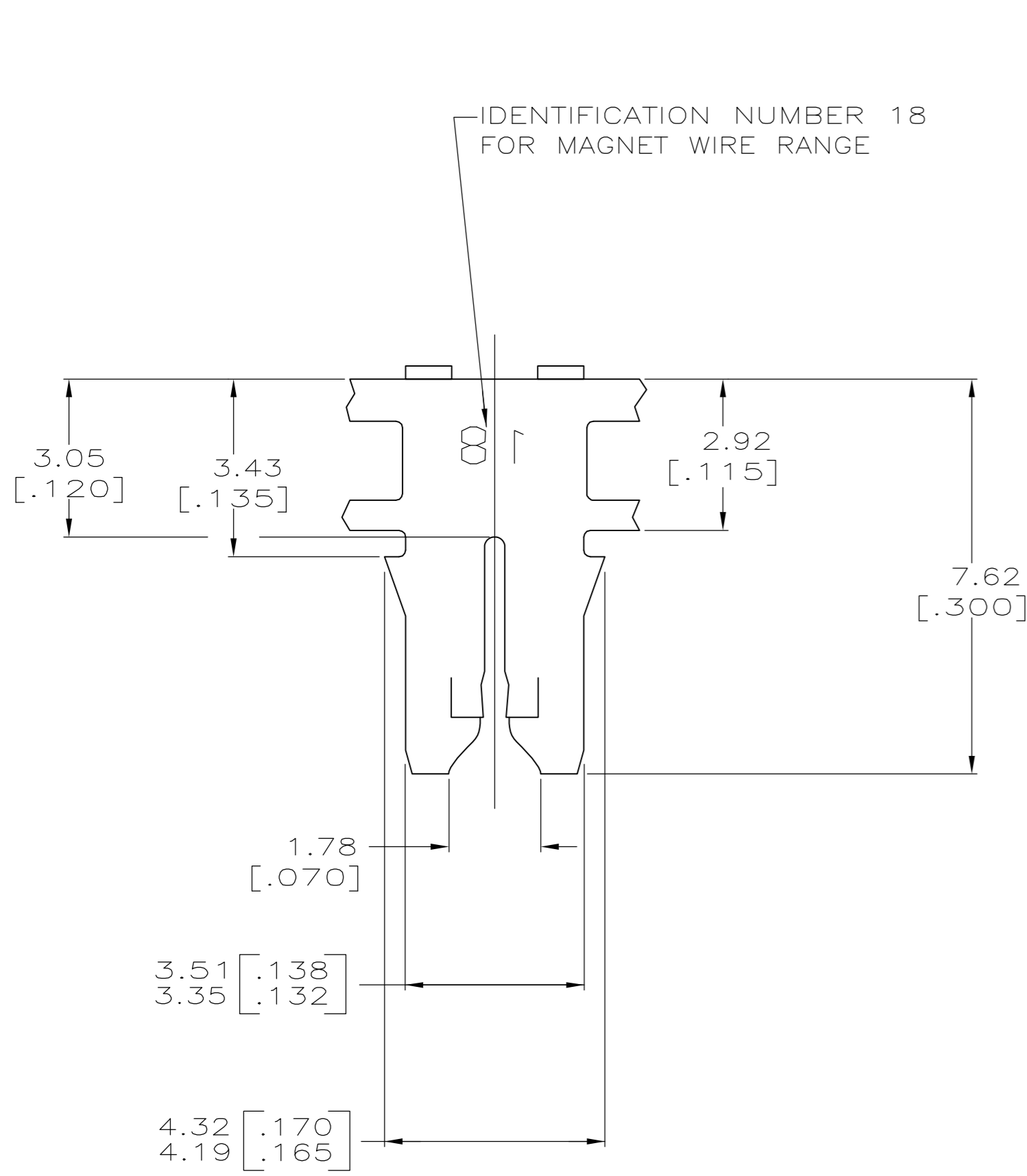


THIS DRAWING IS UNPUBLISHED. RELEASED FOR PUBLICATION  
 © COPYRIGHT BY TYCO ELECTRONICS CORPORATION. ALL RIGHTS RESERVED.

LOC	DIST	REVISIONS			
P	LTR	DESCRIPTION	DATE	DWN	APVD
AF	50	C1	REVISED PER ECR-07-001777	01FEB07	HMR KR



- 1 CONTINUOUS STRIP ON REELS WITH TERMINALS LOCATED ON 5.59±0.08 [.220±.003] CENTERS.
- 2 SLOT TERMINATES EITHER A SINGLE OR DOUBLE MAGNET WIRE OF THE SAME SIZE AND TYPE. COPPER RANGE: 0.64-0.81mm [#22-#20] AWG.
- 3 POKE-IN ACCEPTS A 0.81-1.02mm<sup>2</sup> [#20-#18] AWG SOLID OR FUSED STRANDED LEAD WIRE.
- 4 SPECIAL CAVITY ANVIL HEIGHT REQUIRED 3.30±0.07 [.130±.003]. REFERENCE APPLICATION SPEC 114-2046, SEC 3.2, NOTE 7.



STANDARD		PAPER	CARDBOARD REEL	4 1217824-1
REELING DIRECTION		SPLICE	REELING MATERIAL	PART NUMBER
THIS DRAWING IS A CONTROLLED DOCUMENT.		DWN 18JUL2002 MICHAEL S. FEHER	Tyco Electronics Corporation Harrisburg, Pa 17105-3608	
DIMENSIONS: mm [INCHES]		CHK 18JUL2002 KURT A. RANDOLPH		
TOLERANCES UNLESS OTHERWISE SPECIFIED:		APVD 18JUL2002 KURT A. RANDOLPH		
0 PLC ± - 1 PLC ± - 2 PLC ± 0.25[.010] 3 PLC ± - 4 PLC ± - ANGLES ± -		NAME PRODUCT SPEC 108-2012 APPLICATION SPEC 114-2046 4		
MATERIAL 4M BRASS	FINISH 0.002032[.000080] MIN TIN PLATE	WEIGHT -	SIZE A2	CAGE CODE 00779
CUSTOMER DRAWING			DRAWING NO C=1217824	RESTRICTED TO -
			SCALE 10:1	SHEET 1 OF 1
			REV C1	

1217824