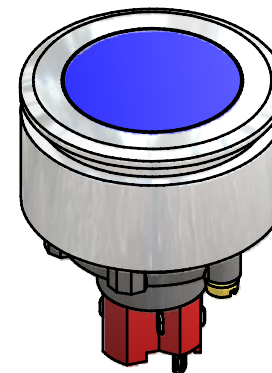
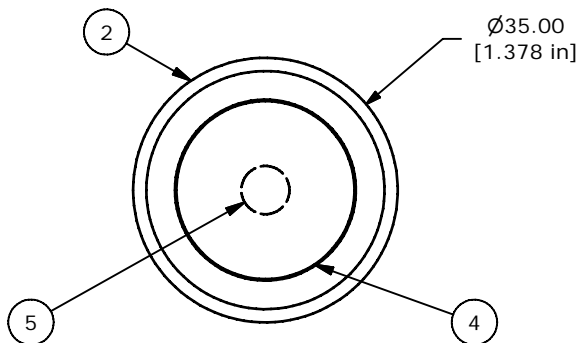
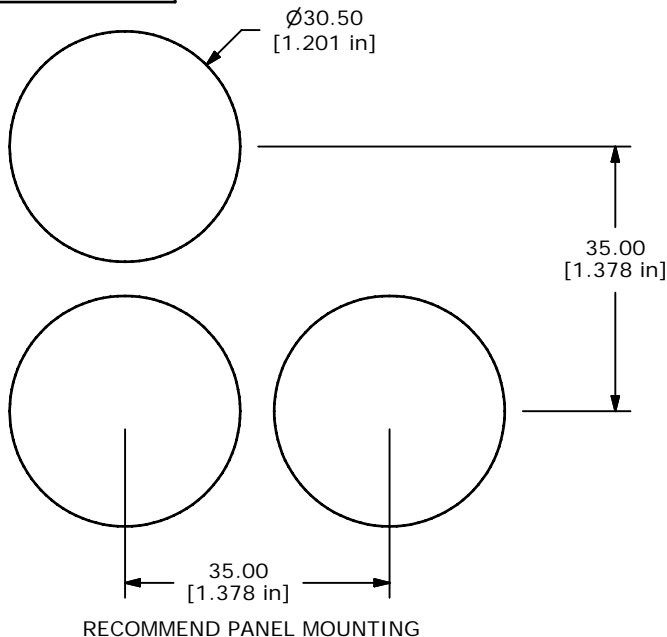


▲ Parts List

ITEM	QTY	PART NUMBER	DESCRIPTION
1	1	F060610	LASOAU11 BODY
2	1	F051706	35MM FLUSH MOUNT BEZEL
3	1	F051707	35MM FLUSH MOUNT RETAINER
4	1	F060291	29MM BLUE OPAQUE LENS
5	1	F050426	5000426 LED 12VDC WHITE

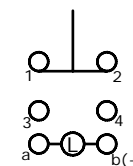
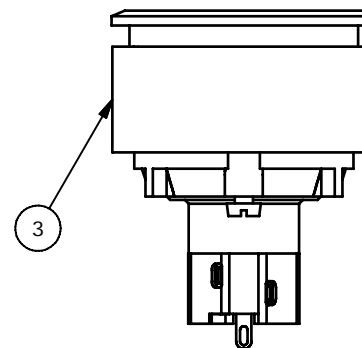
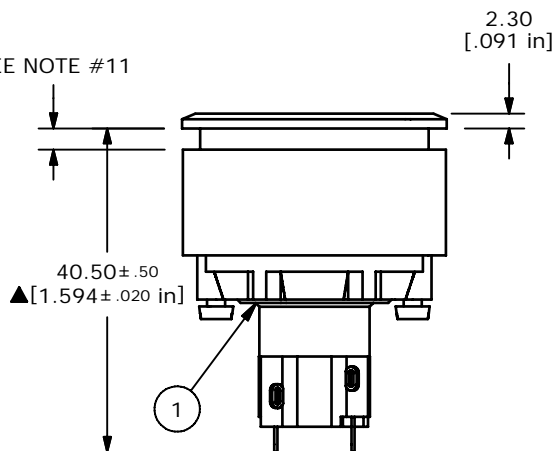


ISOMETRIC

NOTES:

1. ALL DIMENSIONS IN MM [INCH].
2. GENERAL TOLERANCE: 0.0=±0.4  
0.00=±0.25
3. TERM. NOS. FOR REF. ONLY.
4. RATING: 5A @250VAC  
8A @125VAC  
.2A @250VDC  
6A @24VDC
5. INSULATION: 1,000 MΩ MIN.
6. DIELECTRIC STRENGTH: 2000V FOR 1 MIN.
7. SEALED TO IP65.
8. TRAVEL: 3.0MM FULL TRAVEL, 2.0MM LATCH
9. ELECTRICAL LIFE: >50,000 CYCLES
10. OPERATING TEMP: -25C TO +70C
11. PANEL THICKNESS: 0.5MM TO 3.0MM
12. LAMP VOLTAGE: 12 VDC WHITE LED
13. ▲ DENOTES CRITICAL PARAMETER.
14. 2002/95/EC (ROHS) COMPLIANT

SEE NOTE #11



▲ SPDT CONTACT CONFIGURATION



TITLE LASOAU31JWHTBLU

A	19271	Release For Production	9/9/10	BLR
REV	PCR NO	DESCRIPTION	DATE	BY

SCALE	DATE	DR	DWG	REV
1:1	9/9/2010	BLR	XF0827P	A

THE INFORMATION CONTAINED IN THIS DOCUMENT IS PROPRIETARY TO E-SWITCH AND IS NOT TO BE COPIED OR TRANSFERRED