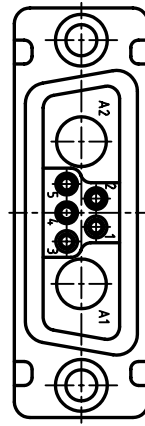
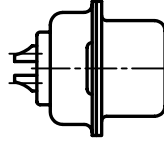
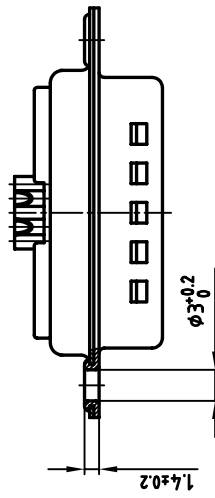
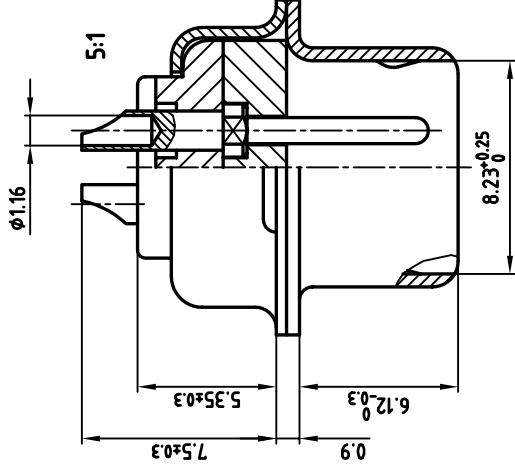
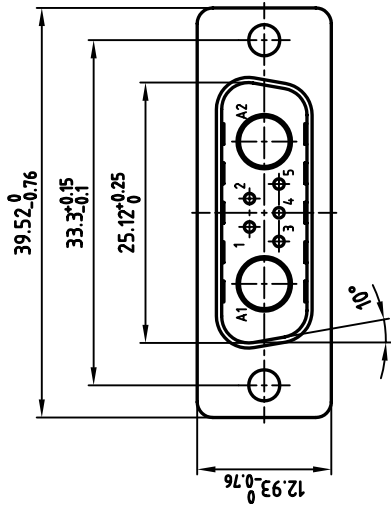


used for: D-SUB COMBINATION



NOTES:

1. METAL SHELLS: STEEL; TIN PLATED
2. INSULATORS: PBT GF, UL 94 V-0; GREEN
3. CONTACTS: COPPER ALLOY
4. PLATING: HARD GOLD OVER NICKEL



THIS DRAWING MAY NOT BE COPIED OR REPRODUCED IN ANY WAY, AND MAY NOT BE PASSED ON TO A THIRD PARTY WITHOUT WRITTEN PERMISSION.
 OWNERSHIP AND COPYRIGHT OF CONEC GMBH DO NOT ALTER CAD DRAWING BY HAND

| rev. | description | date | name |
|------|-------------|------|------|
| | | | |
| | | | |
| | | | |
| | | | |
| | | | |
| | | | |
| | | | |
| | | | |
| | | | |

| | |
|-----------|--------------|
| tolerance | 2:1 (5:1) |
| material | SEE NOTES |
| name | Barcinski |
| date | 01.10. |
| drawn | Mickenbecker |
| appd. | |
| norm | |
| d-old | |

| | | | |
|--|-----------------|---------------------|---------|
| scale: 2:1 (5:1) | | material: SEE NOTES | |
| title: D-SUB COMBINATION MALE 7W2P SOLDER CUP | | | |
| dwg no: | CAD/ REL.13 | DIN-A | |
| | | | 3 |
| | | | sh: 1/1 |
| product no: | 3007W2PAM99A10X | | |

