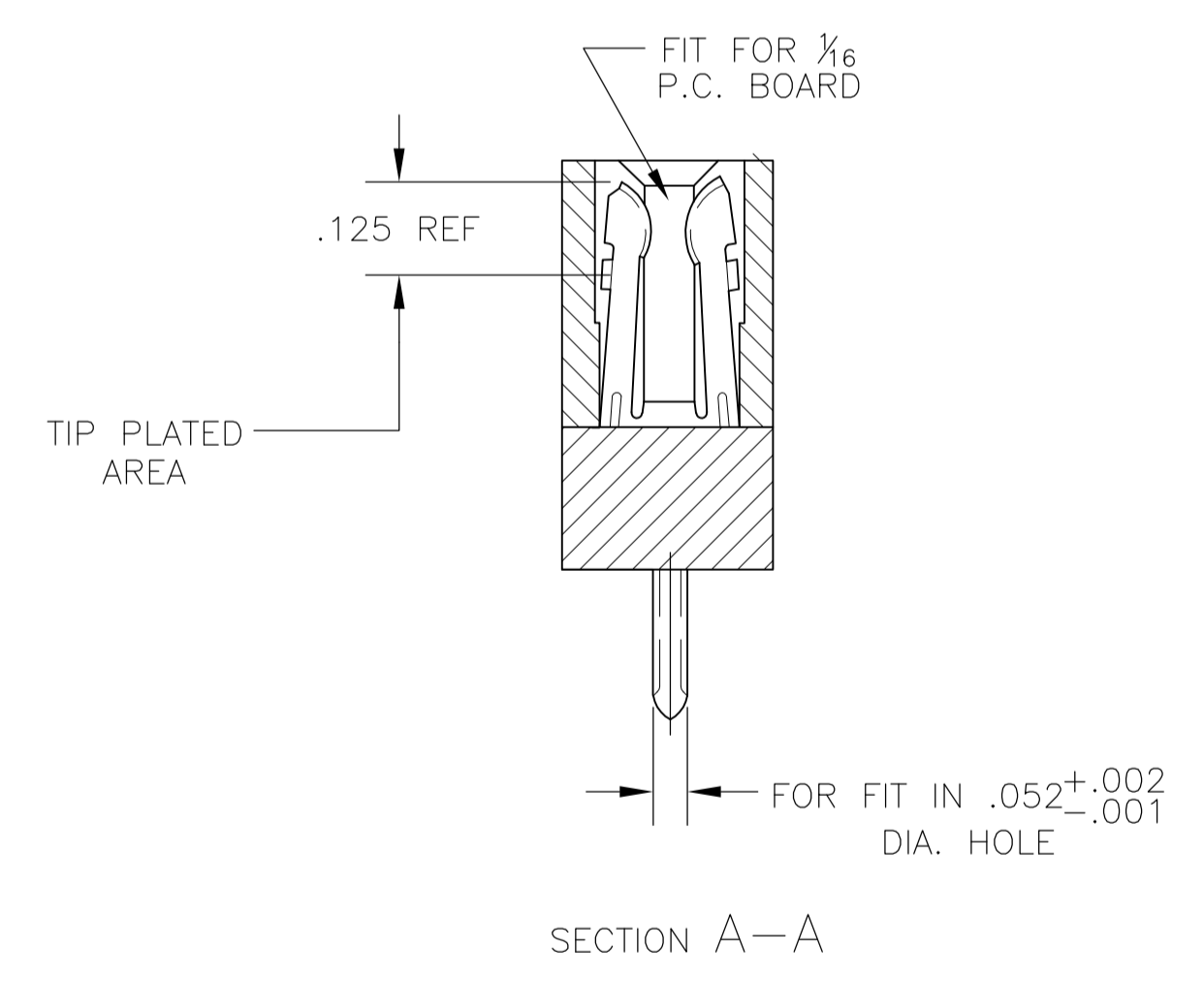
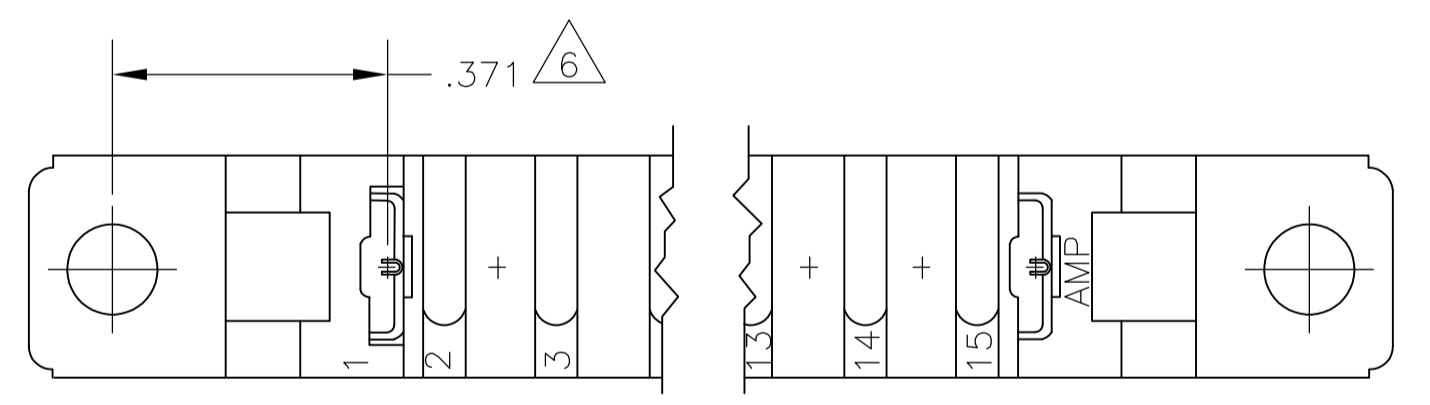
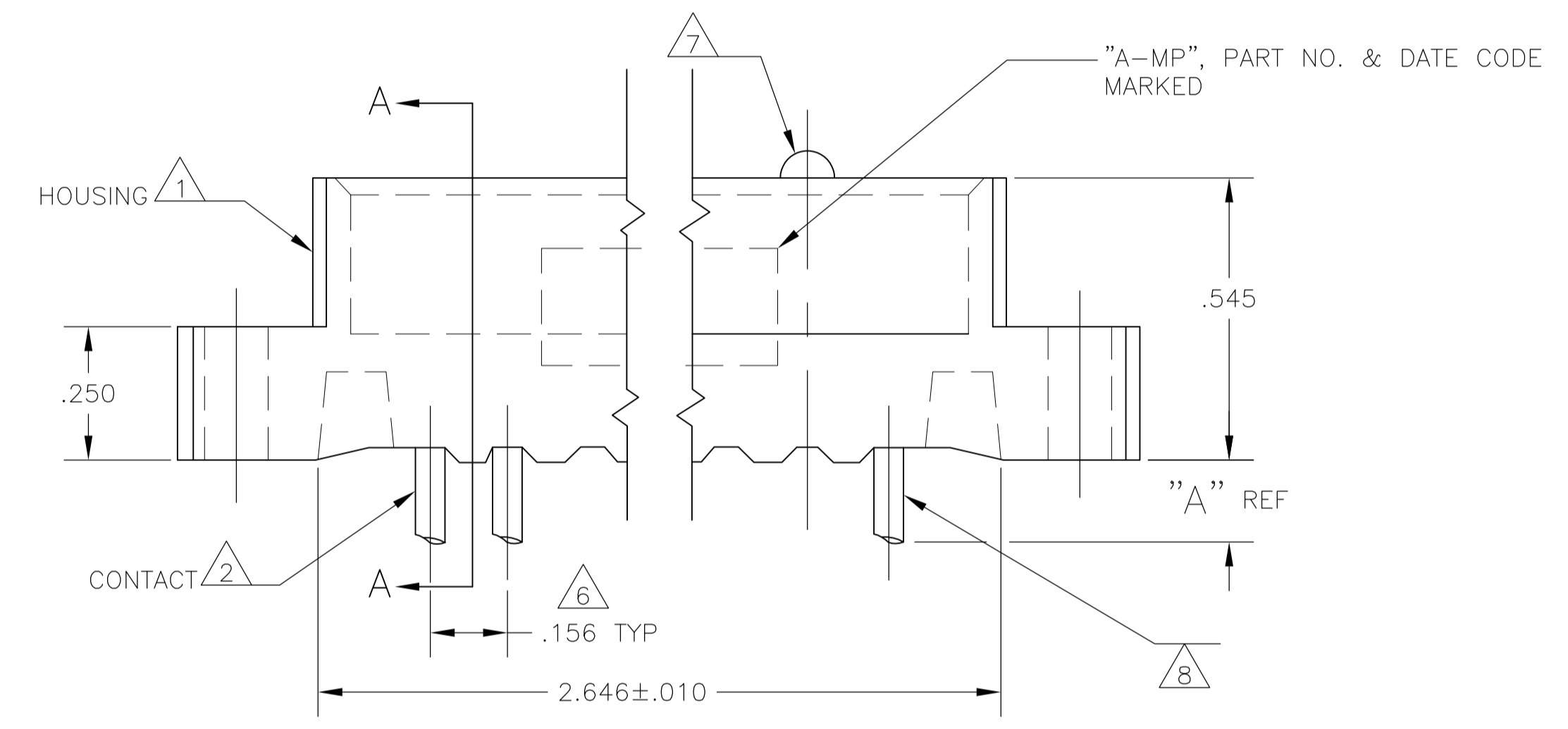
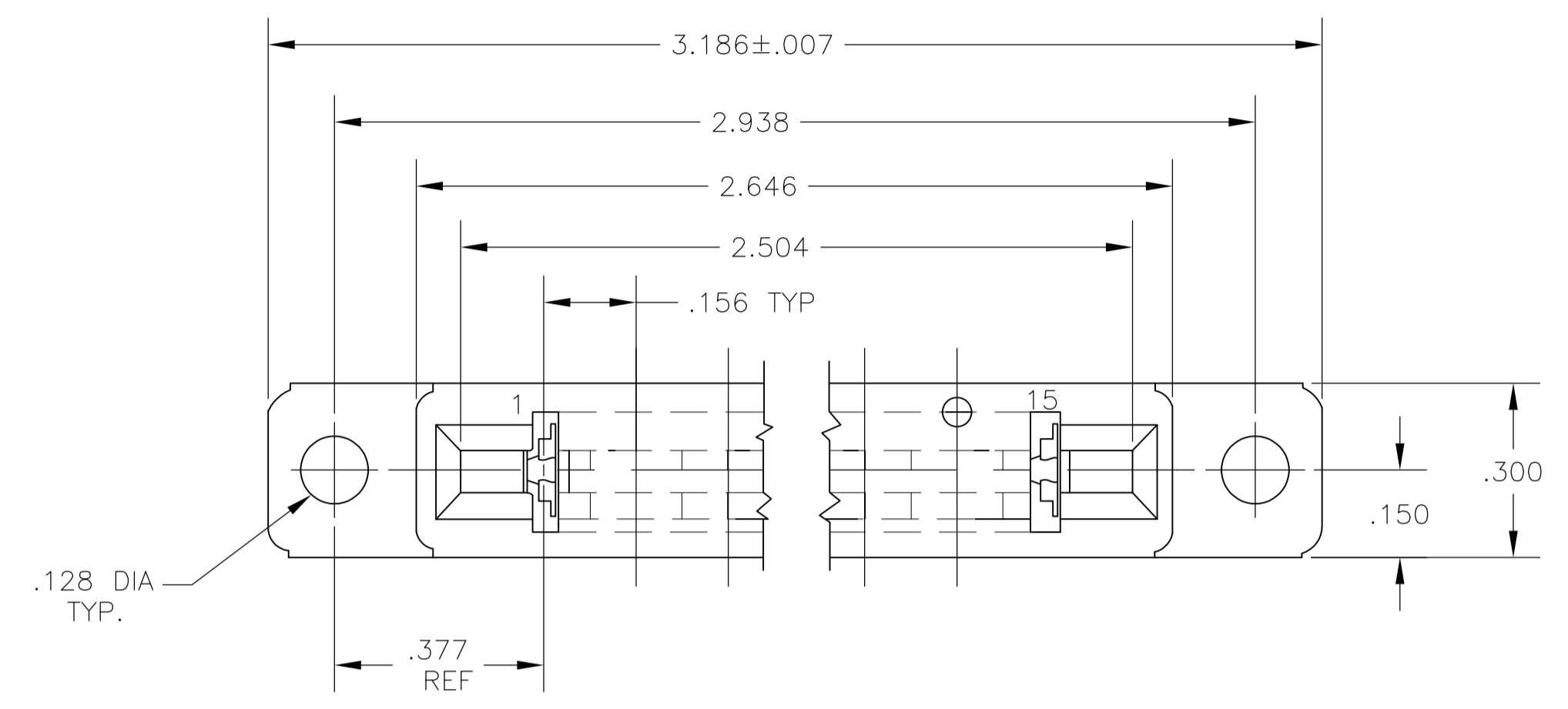


LOC		DIST		REVISIONS			
AD	00	REV	PER	DESCRIPTION	DATE	DMN	APVD
L	ECO	05	003616		19APR06	BSV	MM
L1	REV	PER	ECO-09-021510		14SEP09	KK	AEG



- 1 HOUSING MATL. GLASS FILLED NYLON, COLOR: BLACK OR GLASS FILLED POLYESTER, COLOR: BLACK.
- 2 CONTACT MATL. PHOSPHOR BRONZE, SEE TABLE FOR FINISH.
- 3 TIN PLATED.
- 4 .000015 GOLD TIP PLATED ON NICKEL ALL OVER, TIN PLATED SOLDER TABS.
- 6 SPACING FOR P.C.BOARD MOUNTING HOLES.
- 7 IDENTIFICATION BOSS AT 5TH CAVITY.
- 8 POST ORIENTATION AMP'S OPTION.
- 9 A 1/16 THICK DUMMY P.C. BOARD SHOULD BE INSERTED DURING SOLDERING.
- 10 .000030 GOLD TIP PLATED ON NICKEL ALL OVER, TIN PLATED SOLDER TABS.
- 11 MATTE TIN PLATE ON SOLDER TAILS.
- 12 OBSOLETE PARTS: OBSOLETE CIS STREAMLINING PER D.RENAUD/D.SINISI

12	OBSOLETE	4 11	.187	5-583355-2
		3 11	.187	5-583355-1
	OBSOLETE	10	.187	583355-3
		4	.187	583355-2
		3	.187	583355-1
	CONTACT FINISH		A	PART NO.

THIS DRAWING IS A CONTROLLED DOCUMENT.

DIMENSIONS: INCHES	TOLERANCES UNLESS OTHERWISE SPECIFIED:	DIN R. H. FRANTZ 18MAR68	Tyco Electronics Corporation Harrisburg, Pa 17105-3608
0 PLC ± -	1 PLC ± -	CHK D. S. HEIDE 27MAR68	
2 PLC ± -	3 PLC ± -	APVD	NAME
4 PLC ± -	ANGLES ± -		PRODUCT SPEC
			APPLICATION SPEC
MATERIAL	FINISH SEE TABLE	WEIGHT	SIZE CAGE CODE DRAWING NO
1 2			A1 00779 C=583355
		CUSTOMER DRAWING	RESTRICTED TO
		SCALE 4:1	SHEET 1 OF 1 REV L1