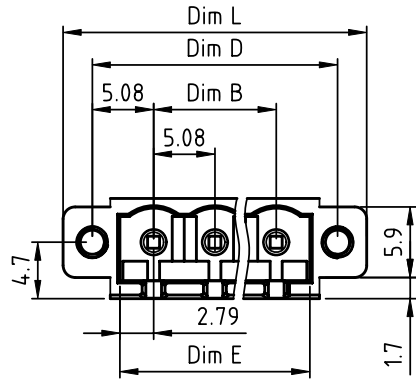


PRODUCT NUMBER	PITCH
KVxx50x200J0G	5.08 mm

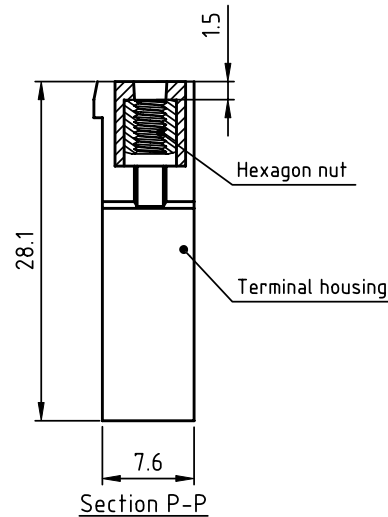
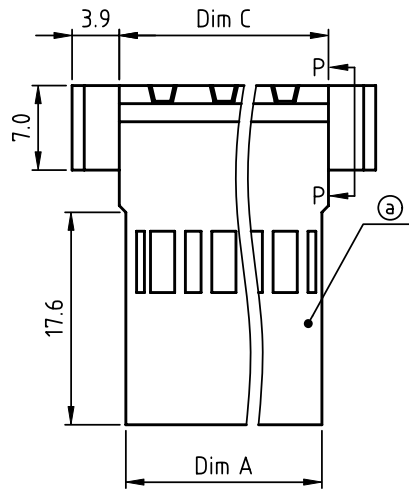
N = Number of poles
 Dim L=(N-1)x5.08+15.0
 Dim A=Nx5.08+1.0
 Dim B=(N-1)x5.08
 Dim C=Nx5.08+2.1
 Dim D=(N-1)x5.08+10.16
 Dim E=(N-1)x5.08+5.58

PART NO.: KV xx 50 x 2 00J0 G

Solid block	0	Black (RAL9005)	RoHS compliant (lead<4%)
No. of poles	2	Red (RAL3001/D)	In copper Alloy
02 2 poles	3	Orange(RAL2011/P)	
03 3 poles	4	Yellow(RAL1018/A)	
...	...	5 Green(RAL6018/T)	
24 24 poles	6	Blue (RAL5015/A)	
	8	Grey(RAL7035/D)	
	9	White(RAL1102)	
	C	Green(RAL6018/U)	



Poles	Dim L	Dim A	Dim B	Dim C	Dim D	Dim E
2-6p	±0.15	±0.10	±0.15	±0.15	±0.15	±0.15
7-12p	±0.20	±0.20	±0.20	±0.20	±0.20	±0.20
13-16p	±0.25	±0.30	±0.25	±0.25	±0.25	±0.25
17-24p	±0.35	±0.40	±0.35	±0.35	±0.35	±0.35

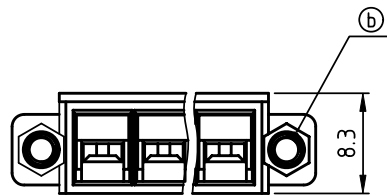


Material:

- Item①Terminal housing:Thermoplastic (UL94 V-0)
- Item②Hexagon nut: Brass, M2.5

Electrical

- Voltage rating: 300V
- Current rating: 10A
- Wire range: 1.5-2.5mm²
- Withstanding Voltage: 1.6KV
- Corresponding female crimp contacts:AR 5.08 series



mat'l. code		surface ASME Y14.5 ✓	tolerance ASME Y14.5	projection MM	product family TERMINAL BLOCK
ltr	ecn no	dr	date	tolerances unless otherwise specified	title
				angles X°±1°	TERMINAL BLOCK
				scale	PLUGGABLE PLUG,FLANGE WITH NUT,CRIMP CONNECTION
		dr	EVIN ZHONG	050414	dwg no
		enr	EVIN ZHONG	050414	sheet 1 of 1
		chr	HANKE FENG	050414	size
		appd	SHI JUN	050414	KVxx50x200J0G
					A4
					type
					CUSTOMER Drawing
sheet index	revision	A			
	sheet	1			