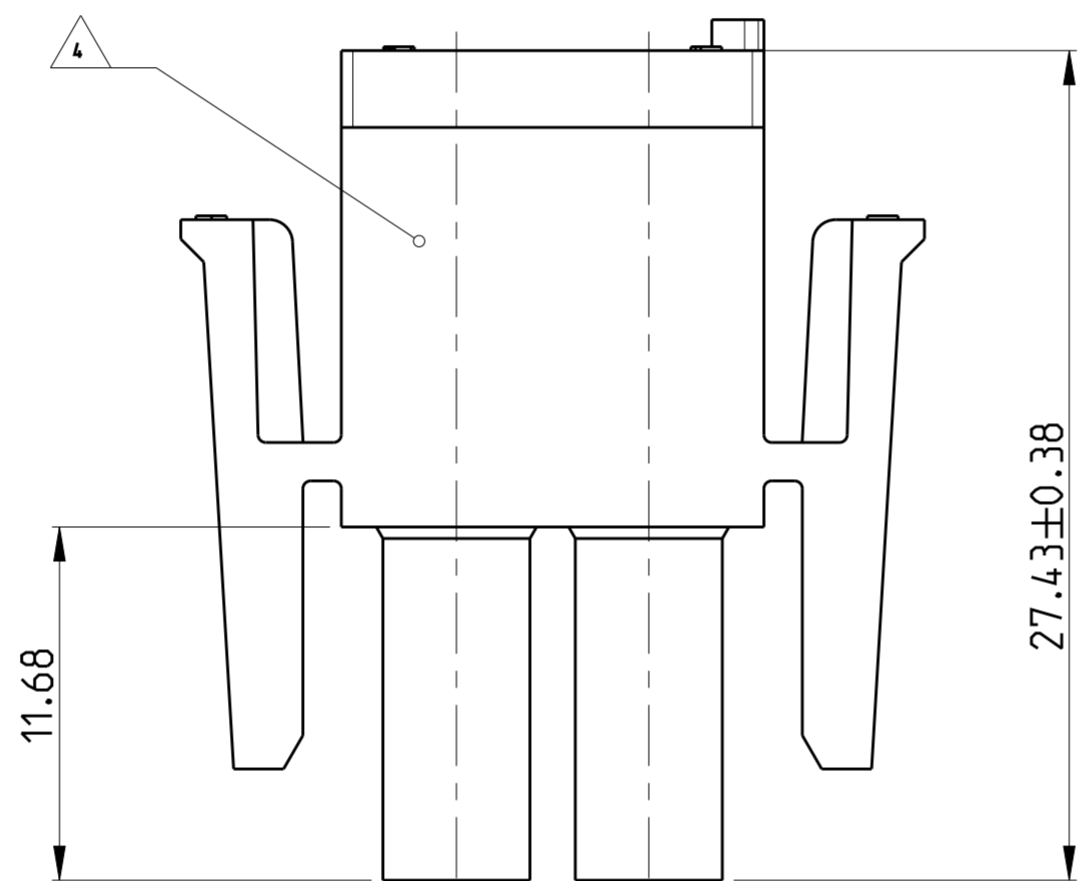
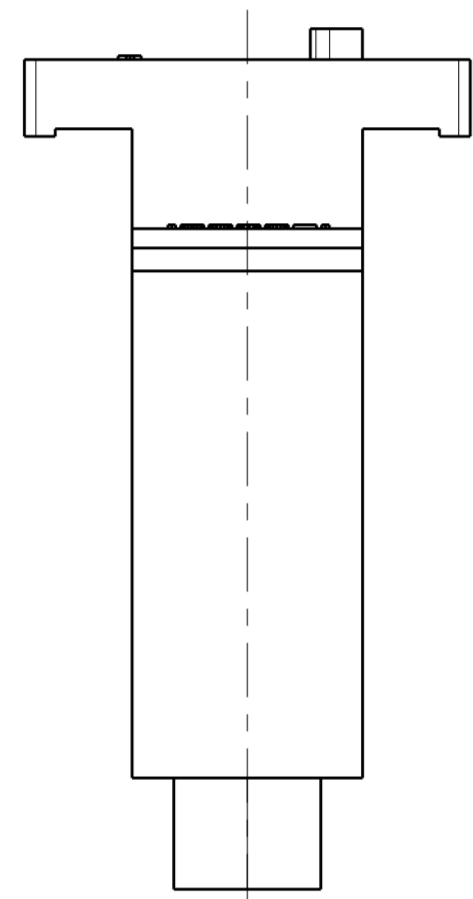
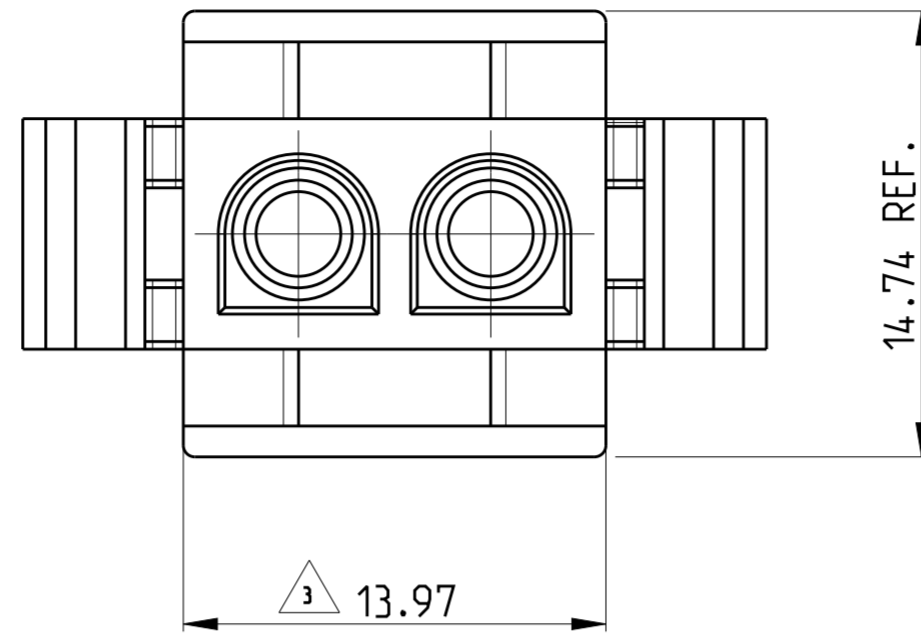
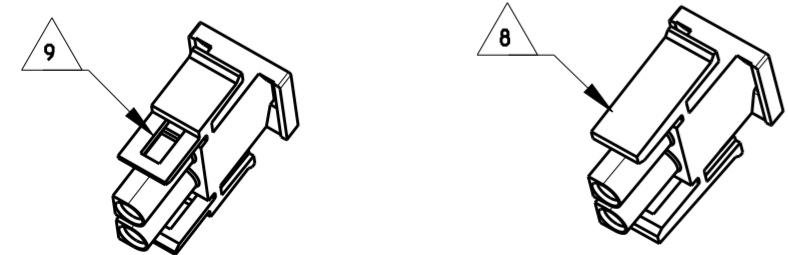
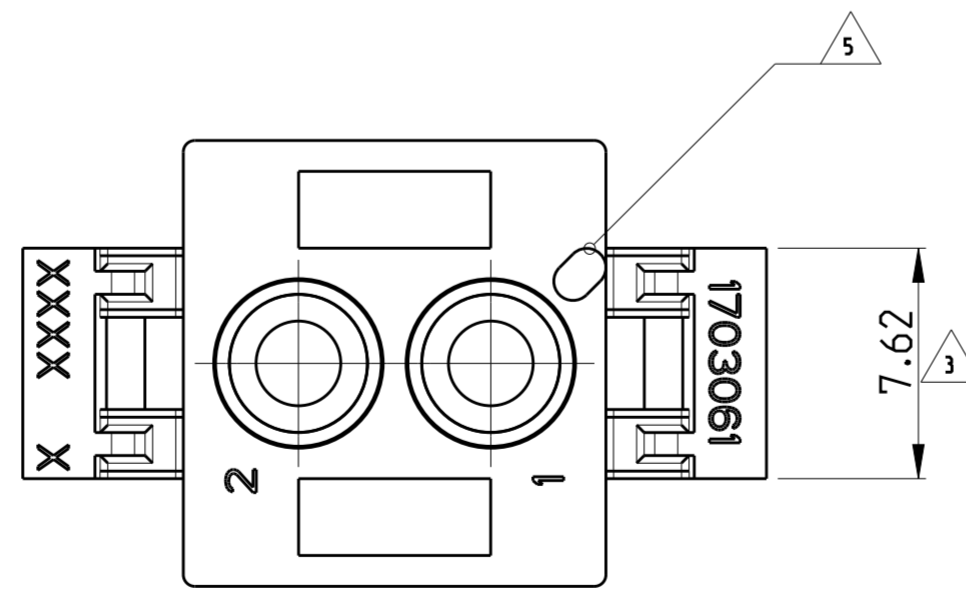


THIS DRAWING IS UNPUBLISHED. RELEASED FOR PUBLICATION 2003
 © COPYRIGHT 2003 BY - ALL RIGHTS RESERVED.

LOC	DIST	REVISIONS			
P	LTR	DESCRIPTION	DATE	DWN	APVD
A1	2	B2	ECR-13-016227	11NOV2013	KKB R.P
		B3	ECR-13-018957	13DEC2013	KKB RRP
		B4	REVISED PER ECR-14-012053	28AUG2014	AV KD
		B5	REVISED PER ECR-15-002456	03MAR2015	AV DZ



- 1 MATES WITH APPROPRIATE UNIVERSAL MATE-N-LOK CAP OR HEADER
- 2 SMALL NICKS ARE PERMITTED ON THE CIRCUIT TOWERS WHICH COULD INCREASE THE INITIAL HOUSING MATING FORCE BY UP TO 4.4 NEWTONS. NO INDIVIDUAL NICKED TOWER SHALL INCREASE THIS FORCE BY OVER 5.5 NEWTONS.
- 3 DIMENSION INDICATED IS AS MOLDED. ADDITIONAL GROWTH DUE TO SUBSEQUENT MOISTURE ABSORPTION MAY OCCUR
- 4 UNDERWRITERS RECOGNIZED COMPONENT LOGO AND CSA CERTIFICATION LOGO TO BE LOCATED ONCE ON ANY SIDE OF HOUSING
- 5 POSITION #1 LOCATOR FEATURE MAY BE ROUND OR OBLONG (AS DEPICTED)
- 6 MATERIAL CORRESPONDING TO THE REQUIREMENTS OF IEC 60335 (INCL. GLOW WIRE TEST 750 ° C. WITHOUT FLAME)
- 7 PRELIMINARY PART NOT RELEASED FOR PRODUCTION
- 8 NO LATCH WINDOW PRESENT.
- 9 LATCH WINDOW PRESENT.



1-1703061-3

REMARK	PN	REV	MATERIAL	COLOUR
6 9	1-1703061-3	1	PA66 UL94 V0 GW T 750 °C	NATURAL
6 8	1-1703061-2	A	PA66 UL94 V0 GW T 750 °C	NATURAL
7 8	1-1703061-1	1	PA6 UL94 V0	NATURAL
6 8	1703061-4	A	PA6 UL94 V2 GW T 750 °C	BLACK
6 8	1703061-3	A	PA6 UL94 V2 GW T 750 °C	RED
6 8	1703061-2	A	PA6 UL94 V2 GW T 750 °C	BLUE
6 8	1703061-1	A	PA6 UL94 V2 GW T 750 °C	NATURAL

THIS DRAWING IS A CONTROLLED DOCUMENT.		DWN MAHNKE, B. 17OCT2008 CHK ZITZ, A. 26APR2004 APVD BLEICHER, M. 27APR2004	TE Connectivity PLUG, 2 CIRCUIT, UNIVERSAL MATE-N-LOK	
DIMENSIONS: mm	TOLERANCES UNLESS OTHERWISE SPECIFIED:	PRODUCT SPEC 108-1031 APPLICATION SPEC 114-1010		
MATERIAL SEE TABLE	0 PLC ± 1 PLC ± 2 PLC ±0.13 3 PLC ± 4 PLC ± ANGLES ±0°30' FINISH	WEIGHT 2.422 g	SIZE CAGE CODE DRAWING NO RESTRICTED TO A2 00779 C-1703061 -	
CUSTOMER DRAWING		SCALE 4:1	SHEET 1 OF 1 REV B5	