

PIC16(L)F72X Memory Programming Specification

This document includes the programming specifications for the following devices:

- PIC16F722 • PIC16F722A • PIC16F723
- PIC16F723A • PIC16F724 • PIC16F726
- PIC16F727 • PIC16LF722 • PIC16LF722A
- PIC16LF723 • PIC16LF723A • PIC16LF724
- PIC16LF726 • PIC16LF727

1.0 OVERVIEW

The PIC16F72X and PIC16LF72X devices are programmed using In-Circuit Serial Programming™ (ICSP™). This programming specification applies to the PIC16F72X and PIC16LF72X devices in all packages.

The PIC16F72X devices operate from 1.8 to 5.5 volts and the PIC16LF72X devices operate from 1.8 to 3.6 volts. All other aspects of the PIC16F72X with regards to the PIC16LF72X devices are identical.

1.1 Hardware Requirements

PIC16F72X and PIC16LF72X devices require one power supply for V_{DD} and one for V_{PP}. (See [Section 8.0 “Electrical Specifications”](#) for more details.)

1.2 Pin Utilization

Five pins are needed for ICSP™ programming. The pins are listed in [Table 1-1](#).

TABLE 1-1: PIN DESCRIPTIONS DURING PROGRAMMING

Pin Name	During Programming		
	Function	Pin Type	Pin Description
RB6	ICSPCLK	I	Clock Input – Schmitt Trigger Input
RB7	ICSPDAT	I/O	Data Input/Output – Schmitt Trigger Input
$\overline{\text{MCLR}}/\text{VPP}$	Program/Verify mode	P ⁽¹⁾	Program Mode Select/Programming Power Supply
V _{DD}	V _{DD}	P	Power Supply
V _{SS}	V _{SS}	P	Ground

Legend: I = Input, O = Output, P = Power

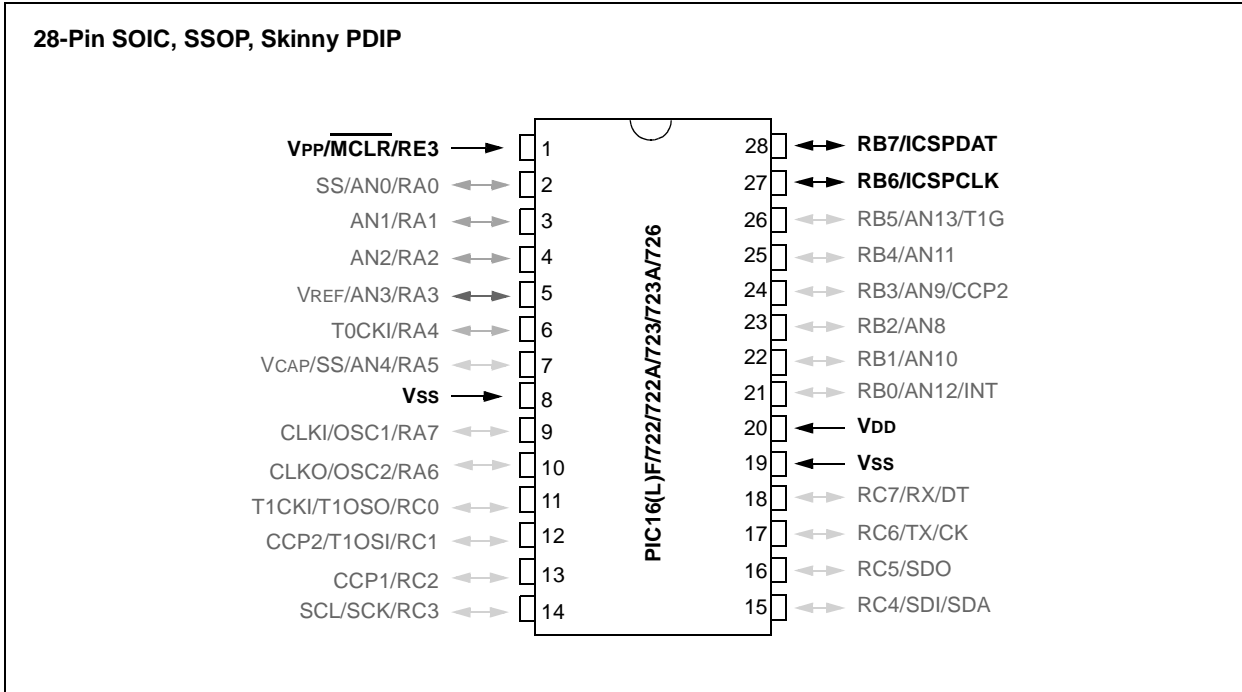
Note 1: To activate the Program/Verify mode, high voltage needs to be applied to $\overline{\text{MCLR}}/\text{VPP}$ input. Since the $\overline{\text{MCLR}}/\text{VPP}$ is used to provide high voltage during programming, the programmer must be able to supply current on this pin.

PIC16(L)F72X

2.0 DEVICE PINOUTS

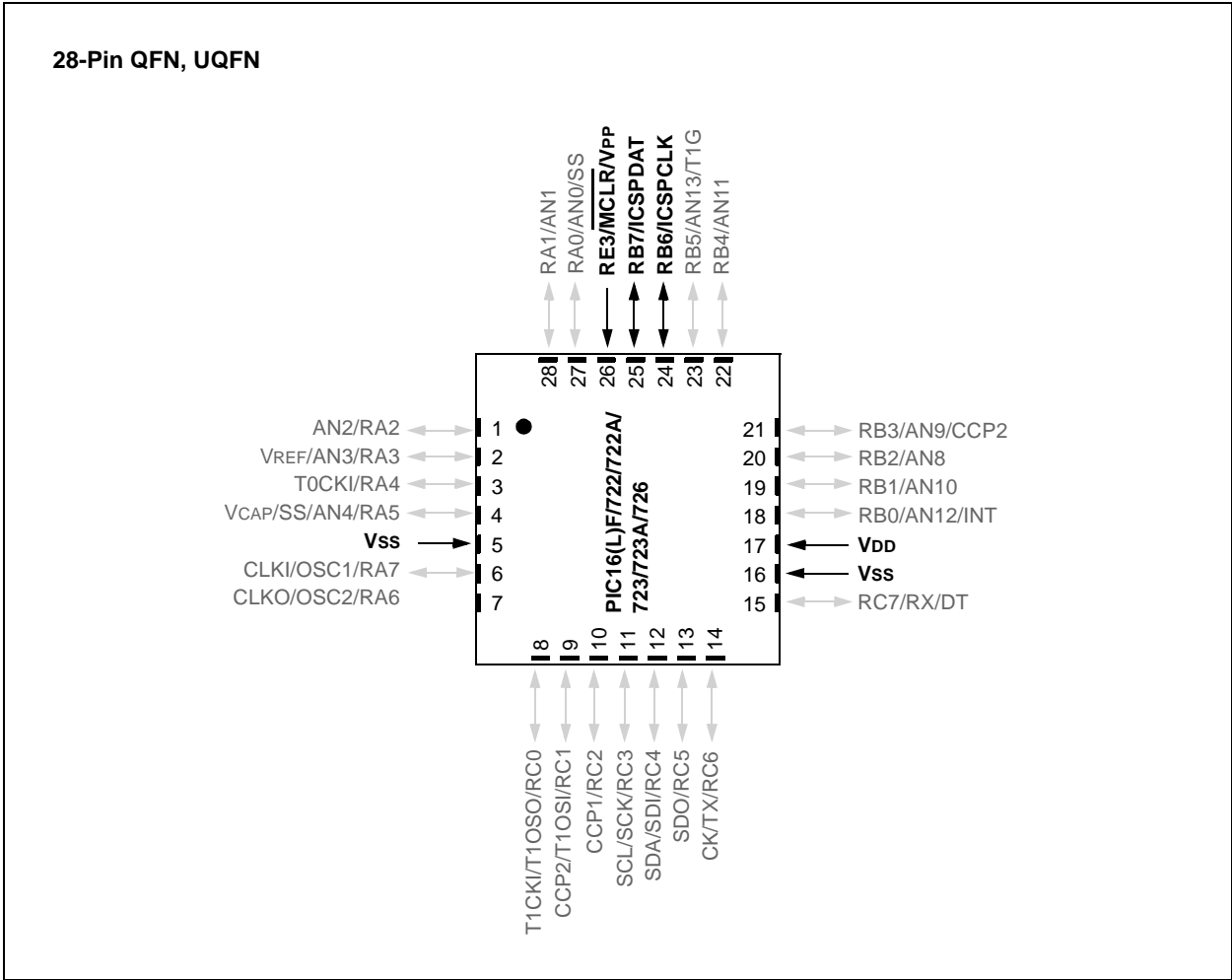
The pin diagrams for the PIC16(L)F72X family are shown in Figure 2-1 through Figure 2-6. The pins that are required for programming are listed in Table 1-1 and shown in bold lettering in the pin diagrams.

FIGURE 2-1: PDIP/SOIC/SSOP DIAGRAM FOR PIC16F722/722A/723/723A/726 AND PIC16LF722/722A/723/723A/726



PIC16(L)F72X

FIGURE 2-2: QFN PACKAGE DIAGRAM FOR PIC16F722/722A/723/723A/726 AND PIC16LF722/722A/723/723A/726



PIC16(L)F72X

FIGURE 2-3: PDIP PACKAGE DIAGRAM FOR PIC16F724/727 AND PIC16LF724/727

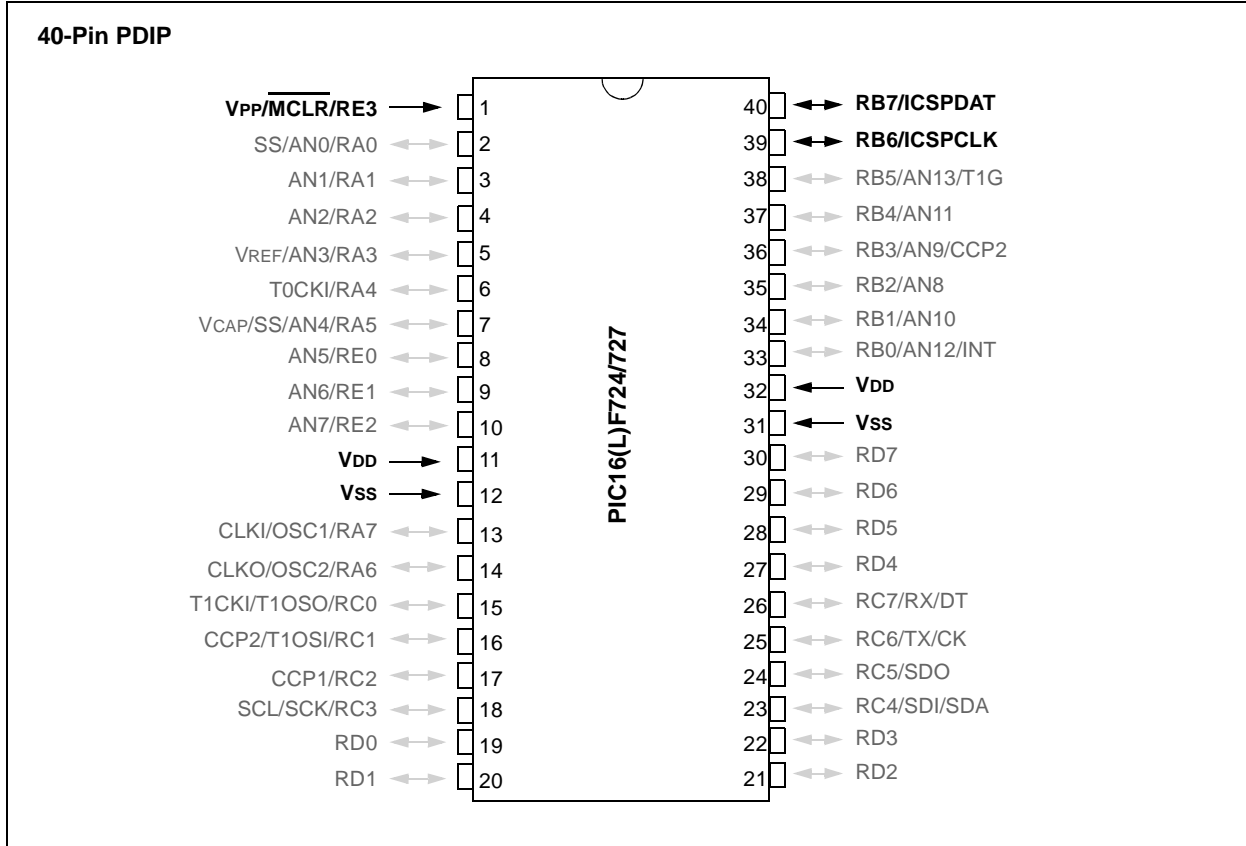


FIGURE 2-4: QFN PACKAGE DIAGRAM FOR PIC16F724/727 AND PIC16LF724/727

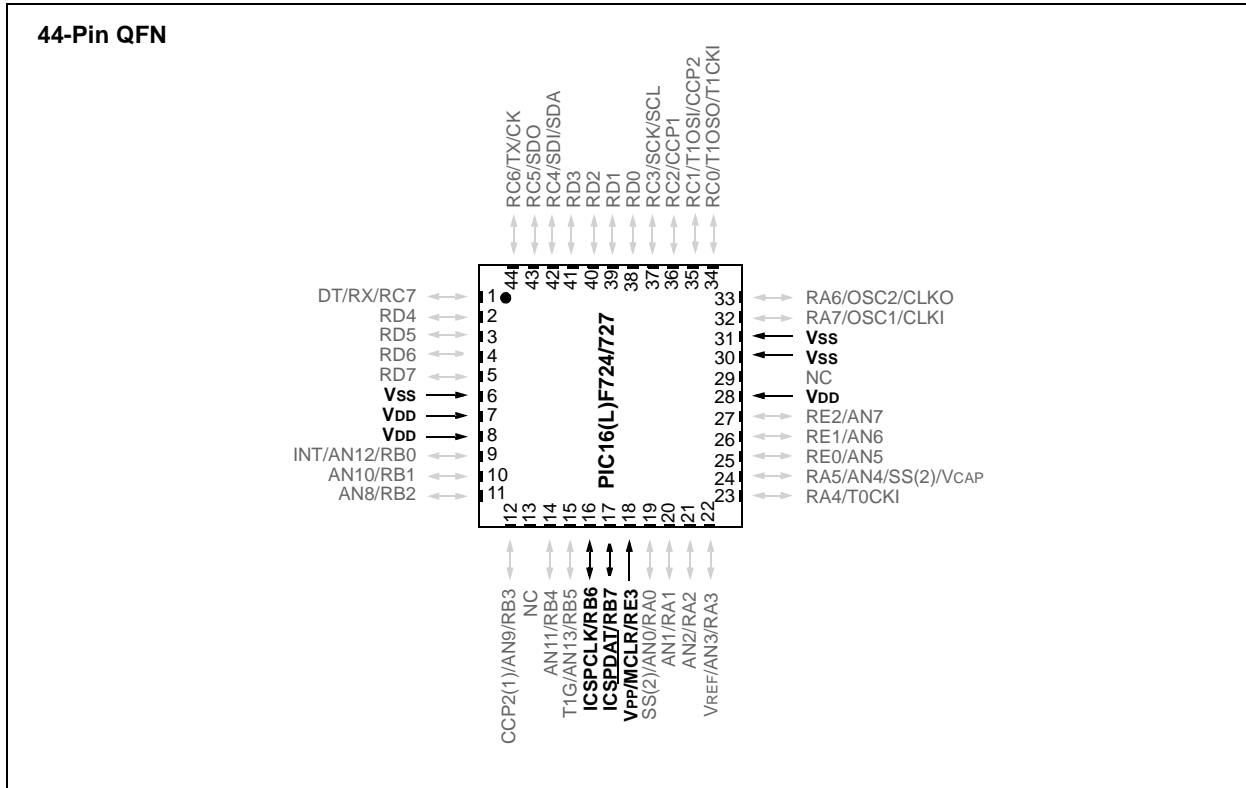
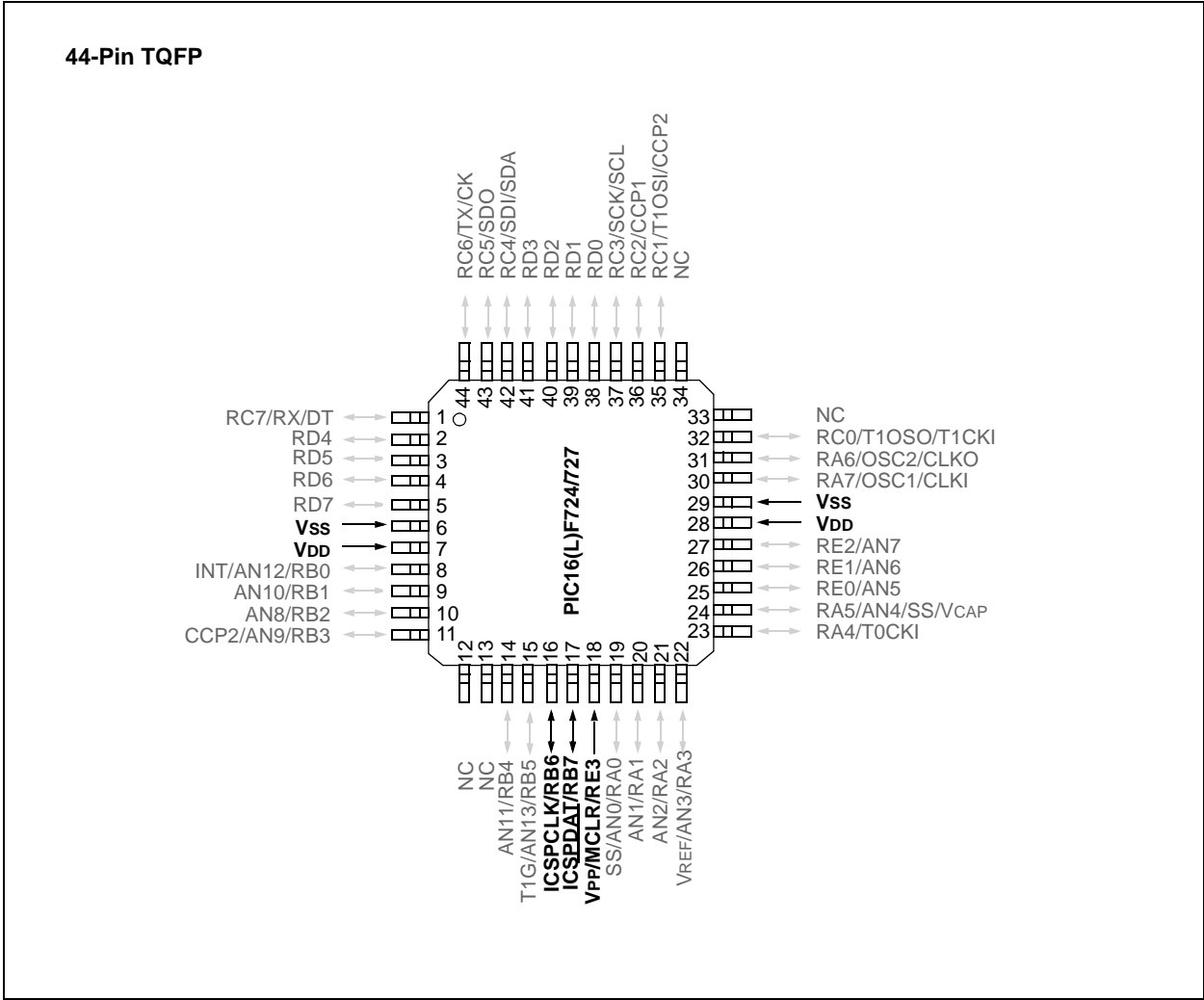
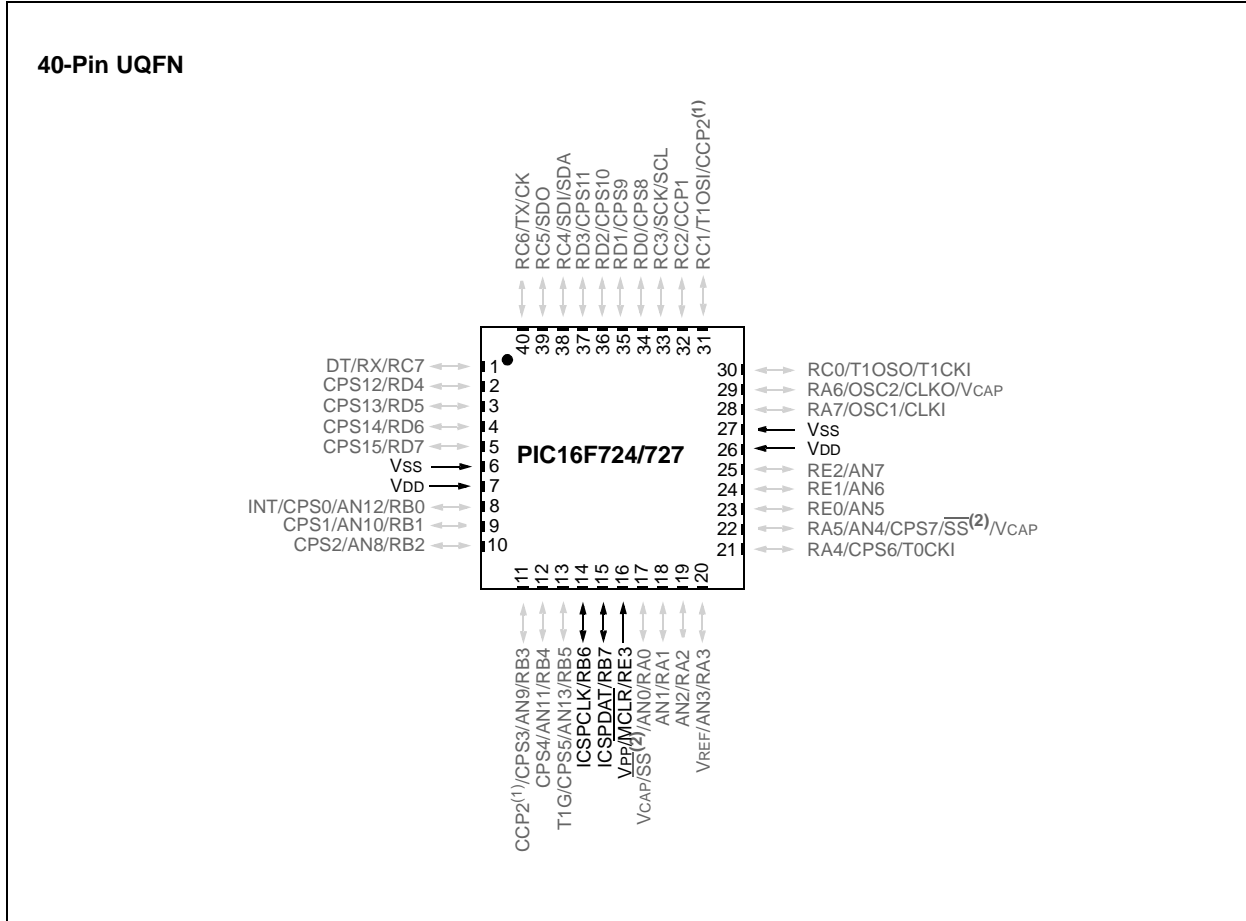


FIGURE 2-5: TQFP PACKAGE DIAGRAM FOR PIC16F724/727 AND PIC16LF724/727



PIC16(L)F72X

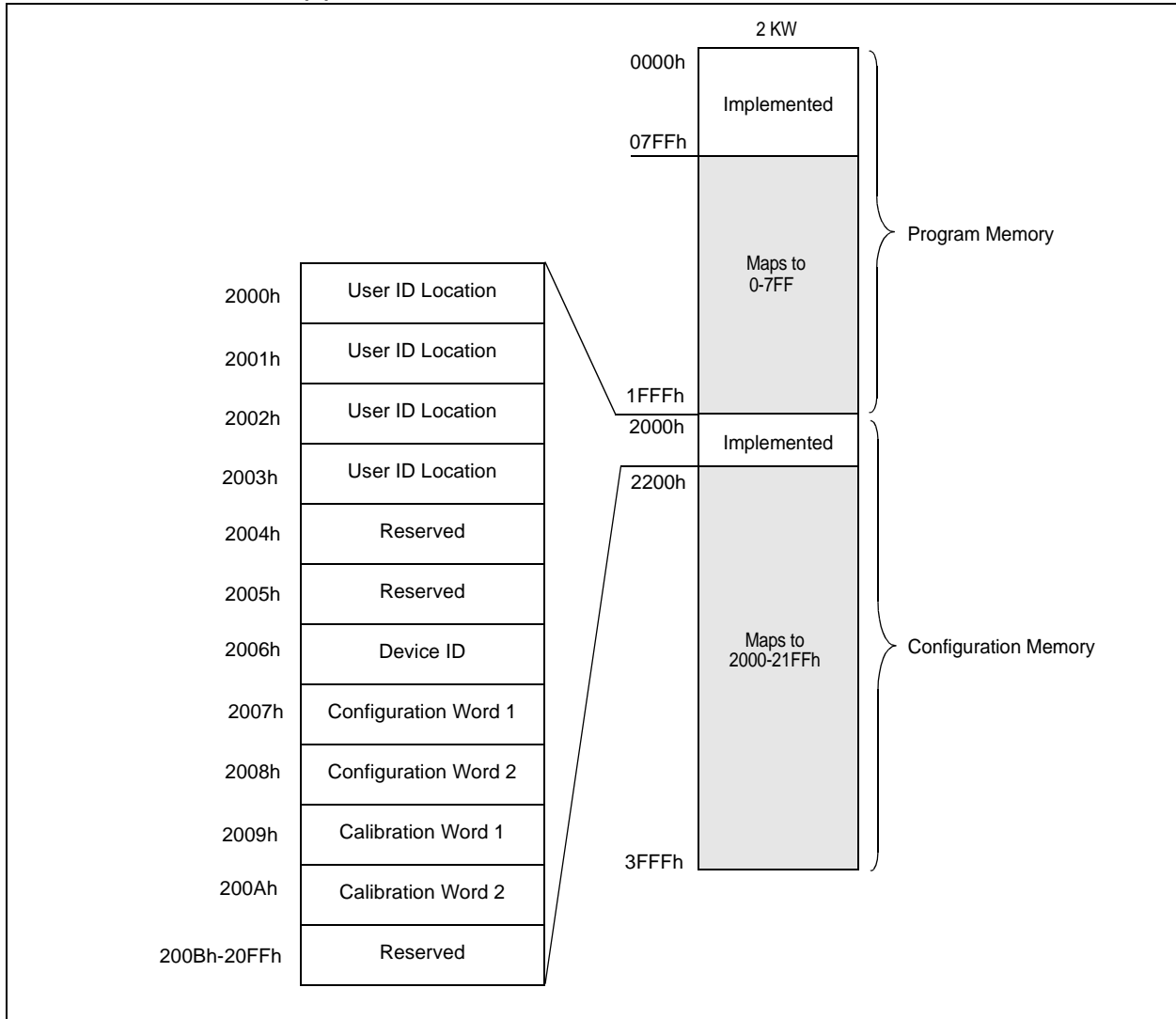
FIGURE 2-6: 40-PIN UQFN PACKAGE DIAGRAM FOR PIC16F724/727



3.0 MEMORY MAP

The memory for the PIC16(L)F72X devices is broken into two sections: program memory and configuration memory. Only the size of the program memory changes between devices; the configuration memory remains the same.

FIGURE 3-1: PIC16(L)F722/722A PROGRAM MEMORY MAPPING



PIC16(L)F72X

FIGURE 3-2: PIC16(L)F723/723A/724 PROGRAM MEMORY MAPPING

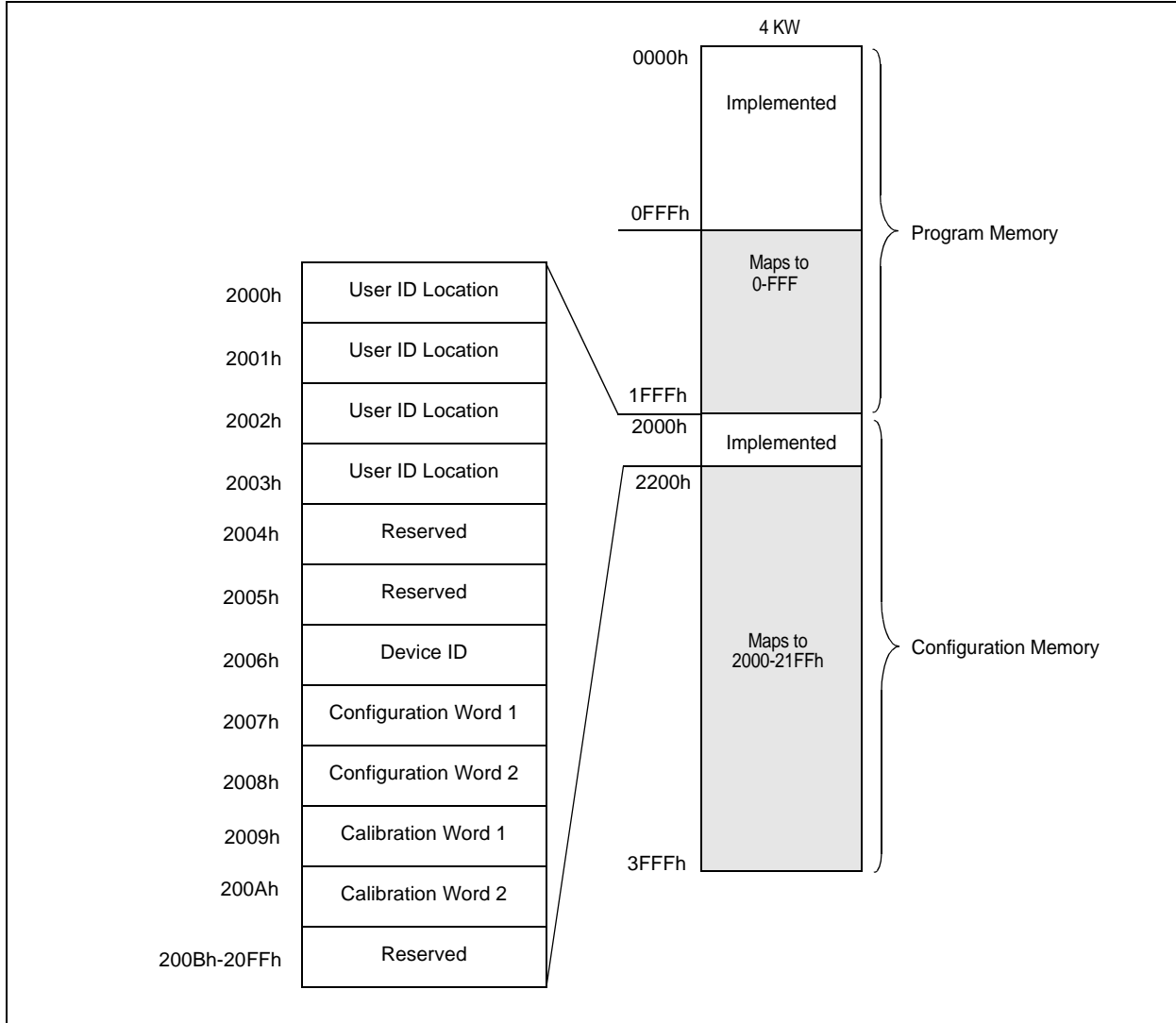
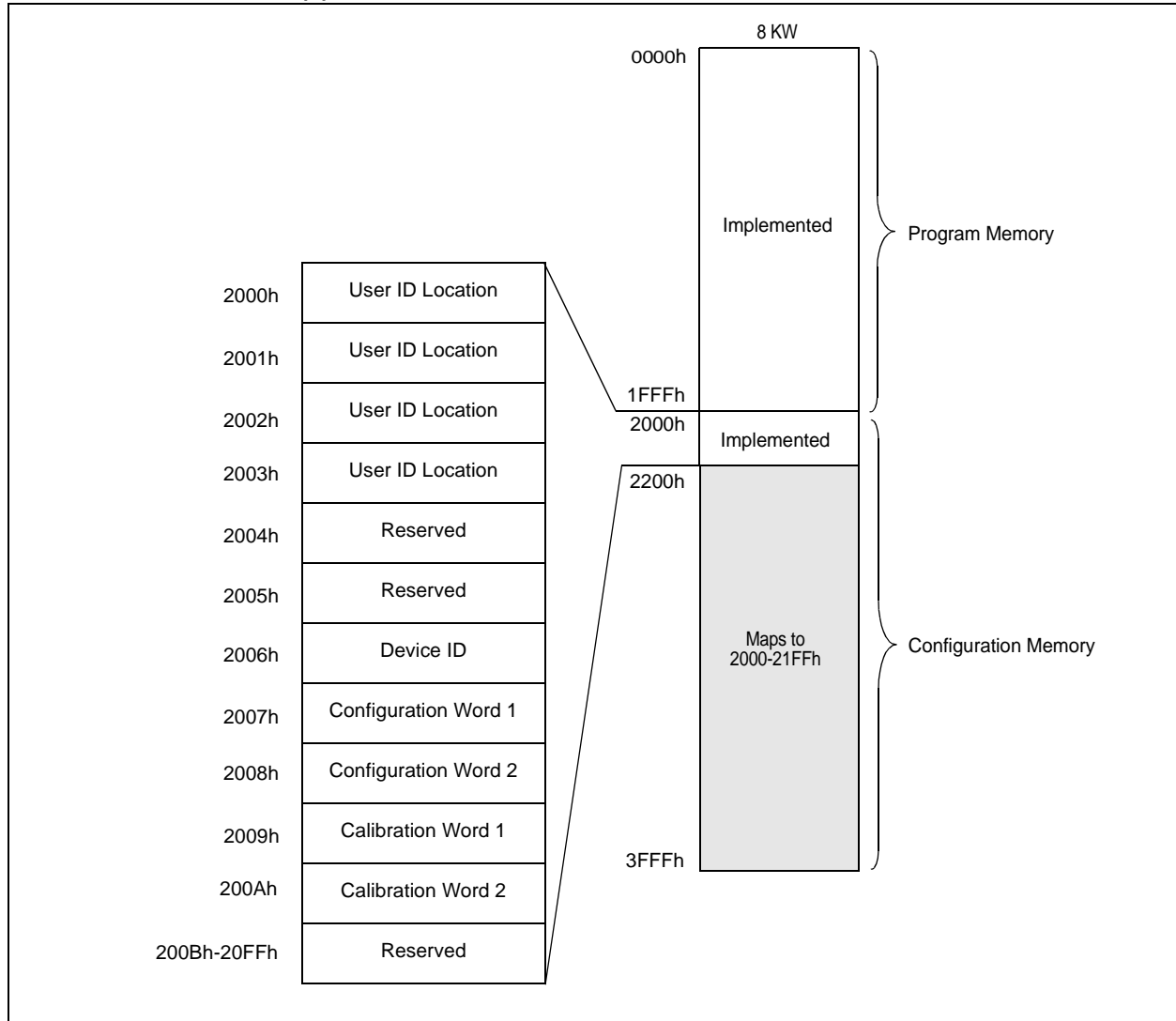


FIGURE 3-3: PIC16(L)F726/727 PROGRAM MEMORY MAPPING



3.1 User ID Location

A user may store identification information (user ID) in four designated locations. The user ID locations are mapped to 2000h-2003h. Each location is 14 bits in length. Code protection has no effect on these memory locations. Each location may be read with code protection enabled or disabled.

Note: MPLAB[®] IDE only displays the 7 Least Significant bits (LSb) of each user ID location, the upper bits are not read. It is recommended that only the 7 LSbs be used if MPLAB IDE is the primary tool used to read these addresses.

3.2 Device ID

The device ID word for the PIC16F72X and the PIC16LF72X devices is located at 2006h. This location cannot be erased or modified.

PIC16(L)F72X

TABLE 3-1: DEVICE ID VALUES

DEVICE	DEVICE ID VALUES	
	DEV	REV
PIC16F722	01 1000 100	x xxxxx
PIC16F722A	01 1011 001	x xxxxx
PIC16F723	01 1000 011	x xxxxx
PIC16F723A	01 1011 000	x xxxxx
PIC16F724	01 1000 010	x xxxxx
PIC16F726	01 1000 001	x xxxxx
PIC16F727	01 1000 000	x xxxxx
PIC16LF722	01 1001 100	x xxxxx
PIC16LF722A	01 1011 011	x xxxxx
PIC16LF723	01 1001 011	x xxxxx
PIC16LF723A	01 1011 010	x xxxxx
PIC16LF724	01 1001 010	x xxxxx
PIC16LF726	01 1001 001	x xxxxx
PIC16LF727	01 1001 000	x xxxxx

3.3 Configuration Words

The PIC16(L)F72X devices have two Configuration Words, Configuration Word 1 (2007h) and Configuration Word 2 (2008h). The individual bits within these Configuration Words are used to enable or disable device functions such as the Brown-out Reset, code protection and Power-up Timer.

3.4 Calibration Words

For the PIC16(L)F72X devices, the 16 MHz internal oscillator (INTOSC), and the Brown-out Reset (BOR), are factory calibrated and stored in Calibration Words 1 and 2 (2009h and 200Ah).

The Calibration Words do not participate in erase operations. The device can be erased without affecting the Calibration Words.

REGISTER 3-1: CONFIGURATION WORD 1

R/P-1	R/P-1	U-1 ⁽²⁾	R/P-1	R/P-1	R/P-1	U-1 ⁽²⁾
$\overline{\text{DEBUG}}^{(1)}$	PLLEN	—	BORV	BOREN1	BOREN0	—
bit 13						

R/P-1	R/P-1	R/P-1	R/P-1	R/P-1	R/P-1	R/P-1
$\overline{\text{CP}}$	MCLRE	$\overline{\text{PWRT}}\overline{\text{E}}$	WDTE	FOSC2	FOSC1	FOSC0
						bit 0

Legend:	P = Programmable	x = Bit is unknown
R = Readable bit	W = Writable bit	U = Unimplemented bit, read as '1'
-n = Default value	'1' = Bit is written to '1'	'0' = Bit is written to '0'

- bit 13 **$\overline{\text{DEBUG}}$** : Debugger mode bit⁽¹⁾
 1 = Background debugger is disabled
 0 = Background debugger is enabled
- bit 12 **PLLEN**: INTOSC PLL Enable bit
 1 = INTOSC frequency is 16 MHz
 0 = INTOSC frequency is 500 kHz
- bit 11 **Unimplemented**: Read as '1'
- bit 10 **BORV**: Brown-out Reset Voltage Selection bit
 1 = Brown-out Reset Voltage (VBOR) set to 1.9V
 0 = Brown-out Reset Voltage (VBOR) set to 2.5V
- bit 9-8 **BOREN<1:0>**: Brown-out Reset Enable bits
 0x = Brown-out Reset disabled
 10 = Brown-out Reset enabled during operation and disabled in Sleep
 11 = Brown-out Reset enabled
- bit 7 **Unimplemented**: Read as '1'
- bit 6 **CP**: Flash Program Memory Code Protection bit
For PIC16F/LF726/727:
 0 = 0000h to 1FFFh code protection on
 1 = Code protection off
For PIC16F/LF723/723A/724:
 0 = 0000h to 0FFFh code protection on
 1 = Code protection off
For PIC16F/LF722/722A:
 0 = 0000h to 07FFh code protection on
 1 = Code protection off
- bit 5 **MCLRE**: RE3/MCLR/VPP Pin Function Select bit
 1 = RE3/ $\overline{\text{MCLR}}$ /VPP pin function is $\overline{\text{MCLR}}$; Weak pull-up enabled.
 0 = RE3/MCLR/VPP pin function is digital input; MCLR internally disabled; Weak pull-up disabled.
- bit 4 **$\overline{\text{PWRT}}\overline{\text{E}}$** : Power-up Timer Enable bit
 1 = PWRT disabled
 0 = PWRT enabled
- bit 3 **WDTE**: Watchdog Timer Enable bit
 1 = WDT enabled
 0 = WDT disabled

Note 1: $\overline{\text{DEBUG}}$ bit is ignored when code-protect is enabled ($\overline{\text{CP}} = 0$).

Note 2: MPLAB[®] IDE masks unimplemented Configuration bits to '0'.

PIC16(L)F72X

REGISTER 3-1: CONFIGURATION WORD 1 (CONTINUED)

bit 2-0 **FOSC<2:0>**: Oscillator Selection bits

111 = RC with CLKOUT oscillator: CLKO function on RA6/OSC2/CLKO pin, RC on RA7/OSC1/CLKI
 110 = RC NO CLKOUT oscillator: I/O function on RA6/OSC2/CLKO pin, RC on RA7/OSC1/CLKI
 101 = INTOSC with CLKOUT oscillator: CLKO function on RA6/OSC2/CLKO pin, I/O function on RA7/OSC1/CLKI
 100 = INTOSC NO CLKOUT oscillator: I/O function on RA6/OSC2/CLKO pin, I/O function on RA7/OSC1/CLKI
 011 = EC oscillator: I/O function on RA6/OSC2/CLKO pin, CLKI on RA7/OSC1/CLKI
 010 = HS oscillator: High-speed crystal/resonator on RA6/OSC2/CLKO pin and RA7/OSC1/CLKI
 001 = XT oscillator: Crystal/resonator on RA6/OSC2/CLKO pin and RA7/OSC1/CLKI
 000 = LP oscillator: Low-power crystal on RA6/OSC2/CLKO pin and RA7/OSC1/CLKI

Note 1: $\overline{\text{DEBUG}}$ bit is ignored when code-protect is enabled ($\overline{\text{CP}} = 0$).
Note 2: MPLAB® IDE masks unimplemented Configuration bits to '0'.

REGISTER 3-2: CONFIGURATION WORD 2

U-1(1)	U-1(1)	U-1(1)	U-1(1)	U-1(1)	U-1(1)	U-1(1)
—	—	—	—	—	—	—
bit 13						

U-1(1)	R/P-1	R/P-1	U-1(1)	U-1(1)	U-1(1)	U-1(1)
—	VCAPEN1	VCAPEN0	—	—	—	—
						bit 0

Legend:	P = Programmable	x = Bit is unknown
R = Readable bit	W = Writable bit	U = Unimplemented bit, read as '1'
-n = Default value	'1' = Bit is written to '1'	'0' = Bit is written to '0'

bit 13-6 **Unimplemented:** Read as '1'

bit 5-4 **VCAPEN<1:0>**: Voltage Regulator Capacitor Enable bits
For PIC16LF72X:
 These bits are ignored. All VCAP pin functions are disabled.
For PIC16F72X:
 00 = VCAP functionality is enabled on RA0
 01 = VCAP functionality is enabled on RA5
 10 = VCAP functionality is enabled on RA6
 11 = All VCAP pin functions are disabled

bit 3-0 **Unimplemented:** Read as '1'

Note 1: MPLAB® IDE masks unimplemented Configuration bits to '0'.

4.0 PROGRAM/VERIFY MODE

In Program/Verify mode, the program memory and the configuration memory can be accessed and programmed in serial fashion. ICSPDAT and ICSPCLK are used for the data and the clock, respectively. All commands and data words are transmitted LSb first. Data changes on the rising edge of the ICSPCLK and latched on the falling edge. In Program/Verify mode both the ICSPDAT and ICSPCLK are Schmitt Trigger inputs. The sequence that enters the device into Program/Verify mode places all other logic into the Reset state. Upon entering Program/Verify mode, all I/O's are automatically configured as high-impedance inputs and the Program Counter (PC) is cleared.

4.1 Program/Verify Mode Entry and Exit

There are 2 different methods of entering Program/Verify mode:

- VPP – First entry mode
- VDD – First entry mode

4.1.1 VPP – FIRST ENTRY MODE

To enter Program/Verify mode via the VPP-first method the following sequence must be followed:

1. Hold ICSPCLK and ICSPDAT low. All other pins should be unpowered.
2. Raise the voltage on $\overline{\text{MCLR}}$ from 0V to V_{IH} .
3. Raise the voltage on VDD from 0V to the desired operating voltage.

The VPP-first entry prevents the device from executing code prior to entering Program/Verify mode (e.g., When the Configuration Word has $\overline{\text{MCLR}}$ disabled ($\text{MCLRE} = 0$), the power-up time disabled ($\text{PWRTE} = 0$), and the internal oscillator is selected ($\text{FOSC} = 10x$), VPP-first entry mode is strongly recommended for this reason. ICSPCLK or ICSPDAT is driven high by the user code. See the timing diagram in [Figure 8-4](#).

4.1.2 VDD–FIRST ENTRY MODE

To enter Program/Verify mode via the VDD-first method the following sequence must be followed:

1. Hold ICSPCLK and ICSPDAT low.
2. Raise the voltage on VDD from 0V to the desired operating voltage.
3. Raise the voltage on $\overline{\text{MCLR}}$ from below VDD to VPP.

The VDD-first method is useful when programming the device when VDD is already applied, for it is not necessary to disconnect VDD to enter Program/Verify mode. See the timing diagram in [Figure 8-5](#).

4.1.3 PROGRAM/VERIFY MODE EXIT

To exit Program/Verify mode take $\overline{\text{MCLR}}$ to VDD or lower.

4.2 Program/Verify Commands

The PIC16F72X and PIC16LF72X devices implement 10 programming commands, each six bits in length. The commands are summarized in [Table 4-1](#).

Commands that have data associated with them are specified to have a minimum delay of TDLY between the command and the data. After this delay 16 clocks are required to either clock in or clock out the 14-bit data word. The first clock is for the Start bit and the last clock is for the Stop bit.

TABLE 4-1: COMMAND MAPPING FOR PIC16F72X

Command	Mapping						Data/Note	
	Binary (MSb ... LSb)							Hex
Load Configuration	x	0	0	0	0	0	00h	0, data (14), 0
Load Data For Program Memory	x	0	0	0	1	0	02h	0, data (14), 0
Read Data From Program Memory	x	0	0	1	0	0	04h	0, data (14), 0
Increment Address	x	0	0	1	1	0	06h	
Reset Address	x	1	0	1	1	0	16h	
Begin Internally Timed Programming	x	0	1	0	0	0	08h	
Begin Externally Timed Programming	x	1	1	0	0	0	18h	
End Externally Timed Programming	x	0	1	0	1	0	0Ah	
Bulk Erase Program Memory	x	0	1	0	0	1	09h	Internally Timed
Row Erase Program Memory	x	1	0	0	0	1	11h	Internally Timed

PIC16(L)F72X

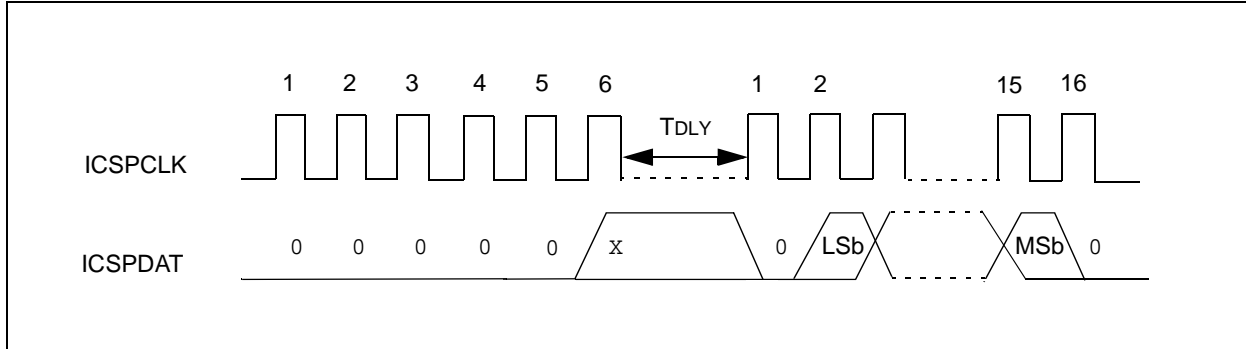
4.2.1 LOAD CONFIGURATION

The Load Configuration command is used to access the configuration memory (user ID locations, Configuration Words, Calibration Words). The Load Configuration command sets the Program Counter (PC) to address 2000h and loads the data latches with one word of data.

After issuing the Load Configuration command, use the Increment Address command until the proper address to be programmed is reached. The address is then programmed by issuing either the Begin Internally Timed Programming or Begin Externally Timed Programming command.

After the configuration memory has been accessed by the Load Configuration command, the only way to get back to the program memory is to exit Program/Verify mode or issue the Reset Address command.

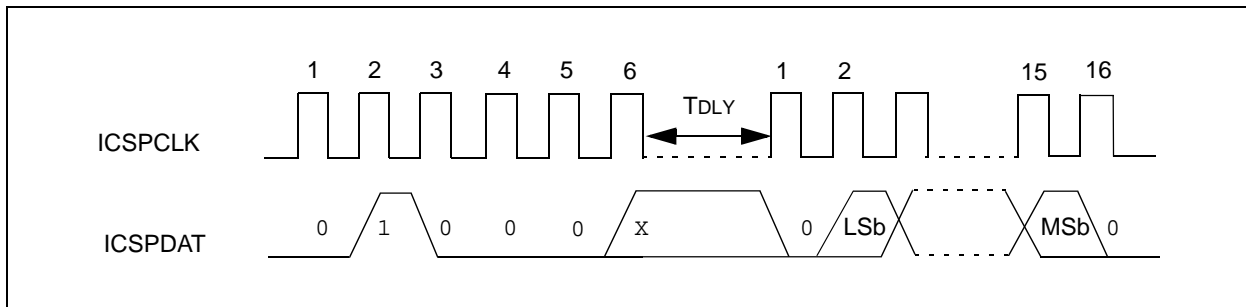
FIGURE 4-1: LOAD CONFIGURATION



4.2.2 LOAD DATA FOR PROGRAM MEMORY

The Load Data for Program Memory command is used to load one 14-bit word into the data latches. The word is placed into program memory after the Begin Internally Timed Programming or Begin Externally Timed Programming command is issued.

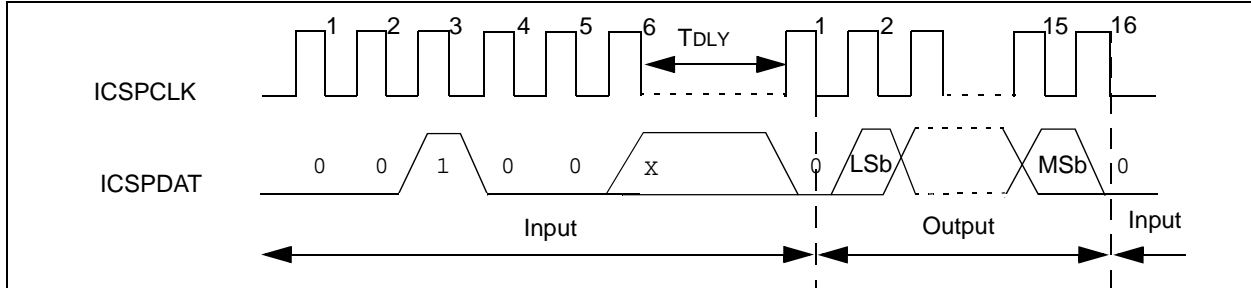
FIGURE 4-2: LOAD DATA FOR PROGRAM MEMORY



4.2.3 READ DATA FROM PROGRAM MEMORY

After receiving this command, the chip will transmit data bits out of the program memory (user or configuration) currently accessed, starting with the second rising edge of the clock input. The data pin will go into Output mode on the first falling clock edge, and it will revert to Input mode (high-impedance) after the 16th falling edge of the clock. If the program memory is code-protected (\overline{CP}), the data will be read as zeros.

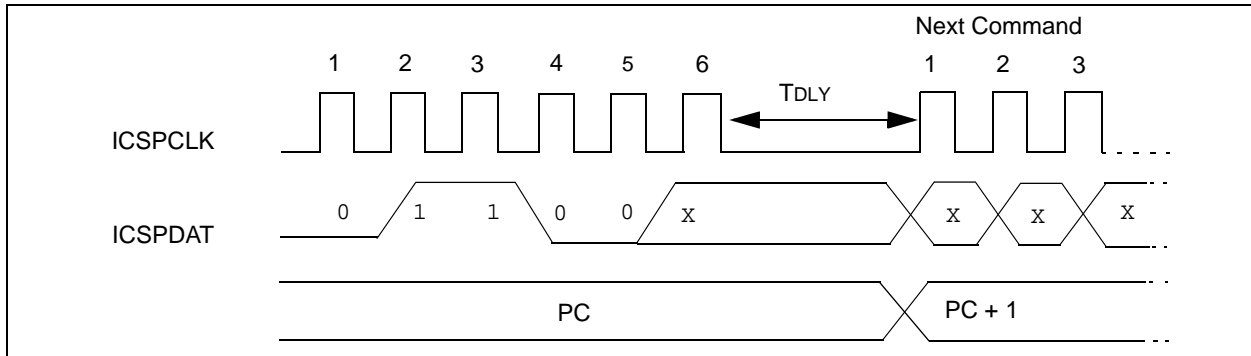
FIGURE 4-3: READ DATA FROM PROGRAM MEMORY



4.2.4 INCREMENT ADDRESS

The Program Counter (PC) is incremented when this command is received. It is not possible to decrement the PC. To reset this counter, the user must exit Program/Verify mode and re-enter it or use the Reset Address command.

FIGURE 4-4: INCREMENT ADDRESS

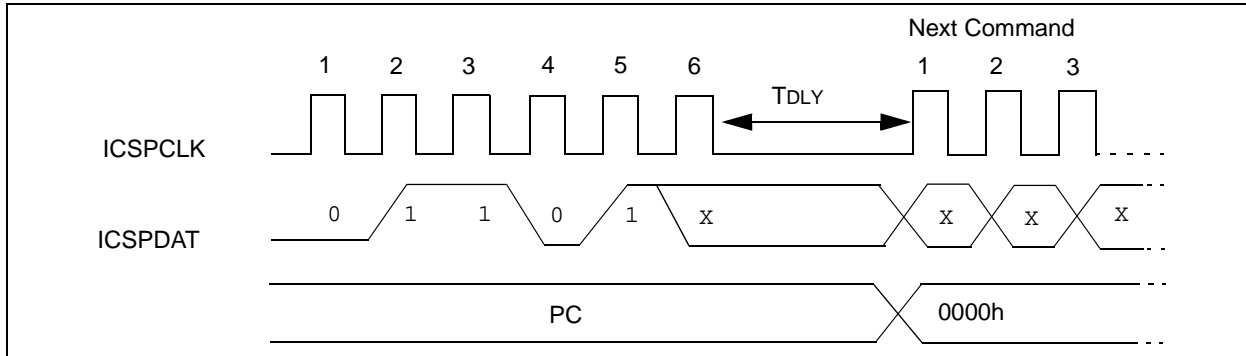


PIC16(L)F72X

4.2.5 RESET ADDRESS

After receiving this command the Program Counter (PC) is set to 0000h. The PC will be reset independent of addressing the program memory or the configuration memory.

FIGURE 4-5: RESET ADDRESS

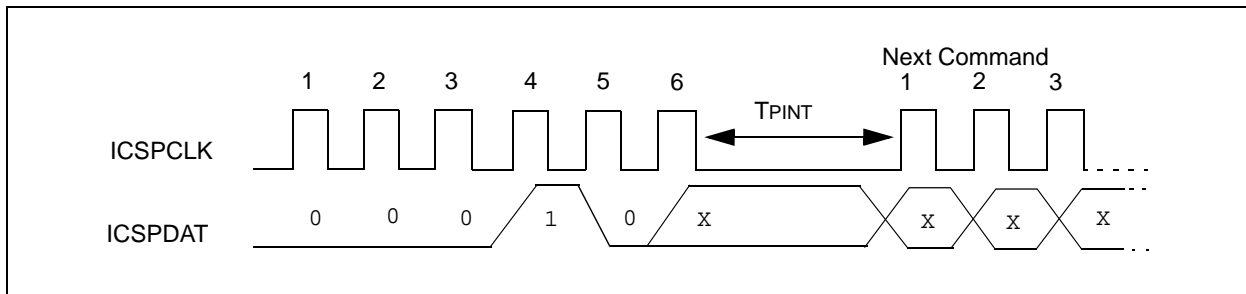


4.2.6 BEGIN INTERNALLY TIMED PROGRAMMING

A Load Configuration or Load Data for Program Memory command must be given before every Begin Programming command. Programming of the addressed memory will begin after this command is received. An internal timing mechanism executes the write. The user must allow for the program cycle time for the programming to complete. The address that is being programmed is not erased prior to being programmed.

The End Externally Timed Programming command is not needed when the Begin Internally Timed Programming is used to start the programming.

FIGURE 4-6: BEGIN INTERNALLY TIMED PROGRAMMING

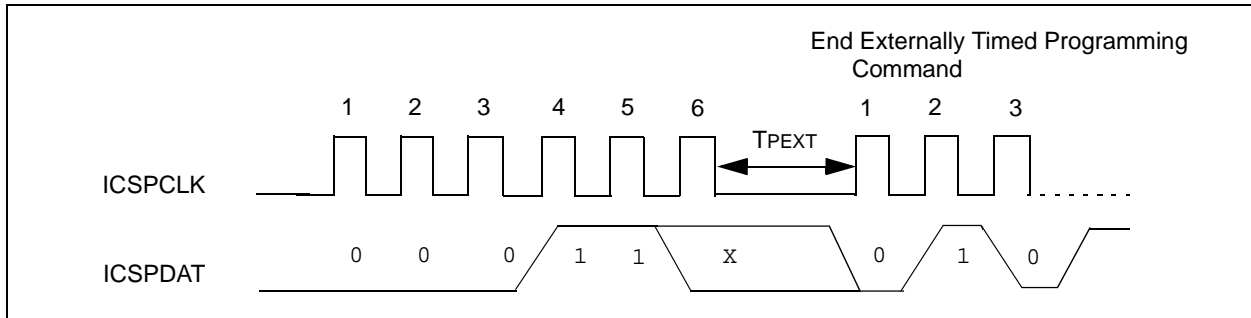


4.2.7 BEGIN EXTERNALLY TIMED PROGRAMMING

A Load Configuration, Load Data for Program Memory or Load Data for Data Memory command must be given before every Begin Programming command. Programming of the addressed memory will begin after this command is received. To complete the programming of the address, the End Externally Timed Programming command must be sent in the specified time window defined by TPEXT.

The Begin Externally Timed Programming command cannot be used for programming the Configuration Words.

FIGURE 4-7: BEGIN EXTERNALLY TIMED PROGRAMMING

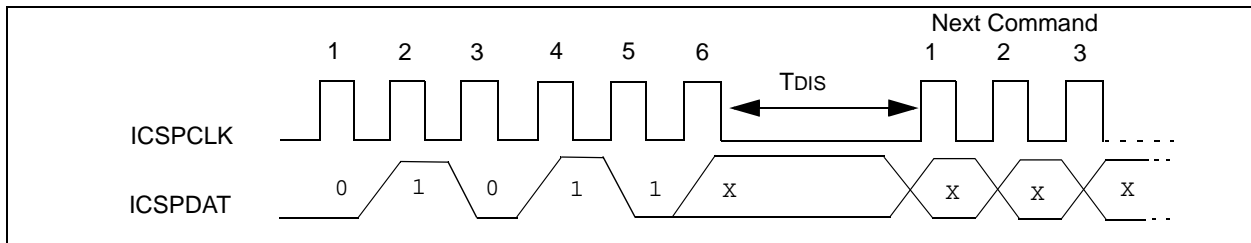


4.2.8 END EXTERNALLY TIMED PROGRAMMING

This command is required after a Begin Externally Timed Programming command is given. This command must be sent within the time window specified by TPEXT after the Begin Externally Timed Programming command is sent.

After sending the End Externally Timed Programming command, an additional delay (TDIS) is required before sending the next command. This delay is longer than the delay ordinarily required between other commands.

FIGURE 4-8: END EXTERNALLY TIMED PROGRAMMING



PIC16(L)F72X

4.2.9 BULK ERASE PROGRAM MEMORY

The Bulk Erase Program Memory command performs two different functions, dependant on the current state of the Program Counter (PC).

PC 0000h-1FFFh:

- Program Memory is erased
- Configuration words are erased

PC 2000h-2008h:

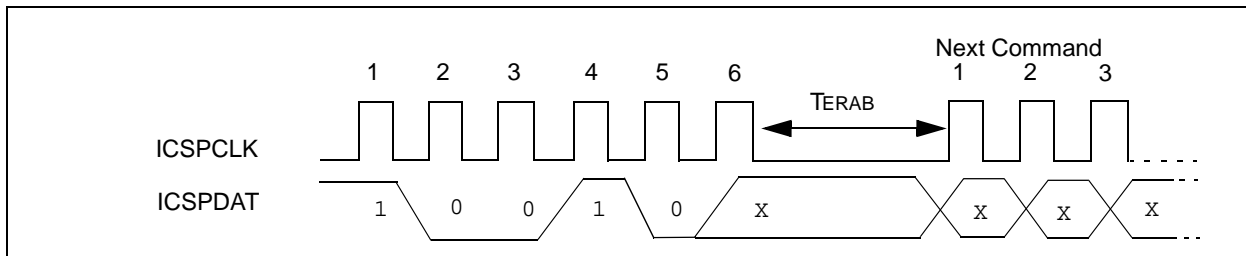
- Program Memory is erased
- Configuration Words are erased
- User ID Locations are erased

After receiving the Bulk Erase Program Memory command, the erase will not complete until the time interval, TERAB, has expired.

Note 1: The code protection Configuration bit (\overline{CP}) has no effect on the Bulk Erase Program Memory command.

Note 2: A Bulk Erase Program Memory command should not be issued when the PC is greater than 2008h.

FIGURE 4-9: BULK ERASE PROGRAM MEMORY

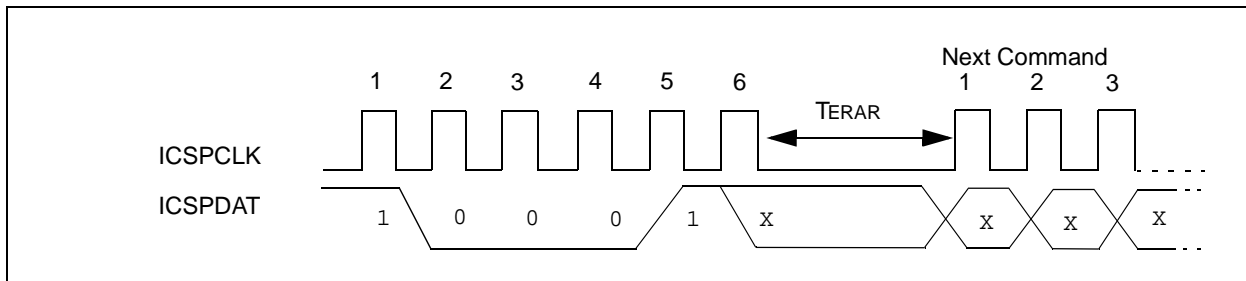


4.2.10 ROW ERASE PROGRAM MEMORY

A row of program memory consists of 32 consecutive 14-bit words. A row is addressed by the Program Counter PC<13:5>. The Row Erase Program Memory command can be used to erase an individual row. If the program memory is code-protected the Row Erase Program Memory command will be ignored. When the PC is 2000h-2008h the Row Erase Program Memory command will only erase the user ID locations, independent of the setting of the \overline{CP} Configuration bit.

After receiving the Row Erase Program Memory command, the erase will not complete until the time interval, TERAR, has expired.

FIGURE 4-10: ROW ERASE PROGRAM MEMORY



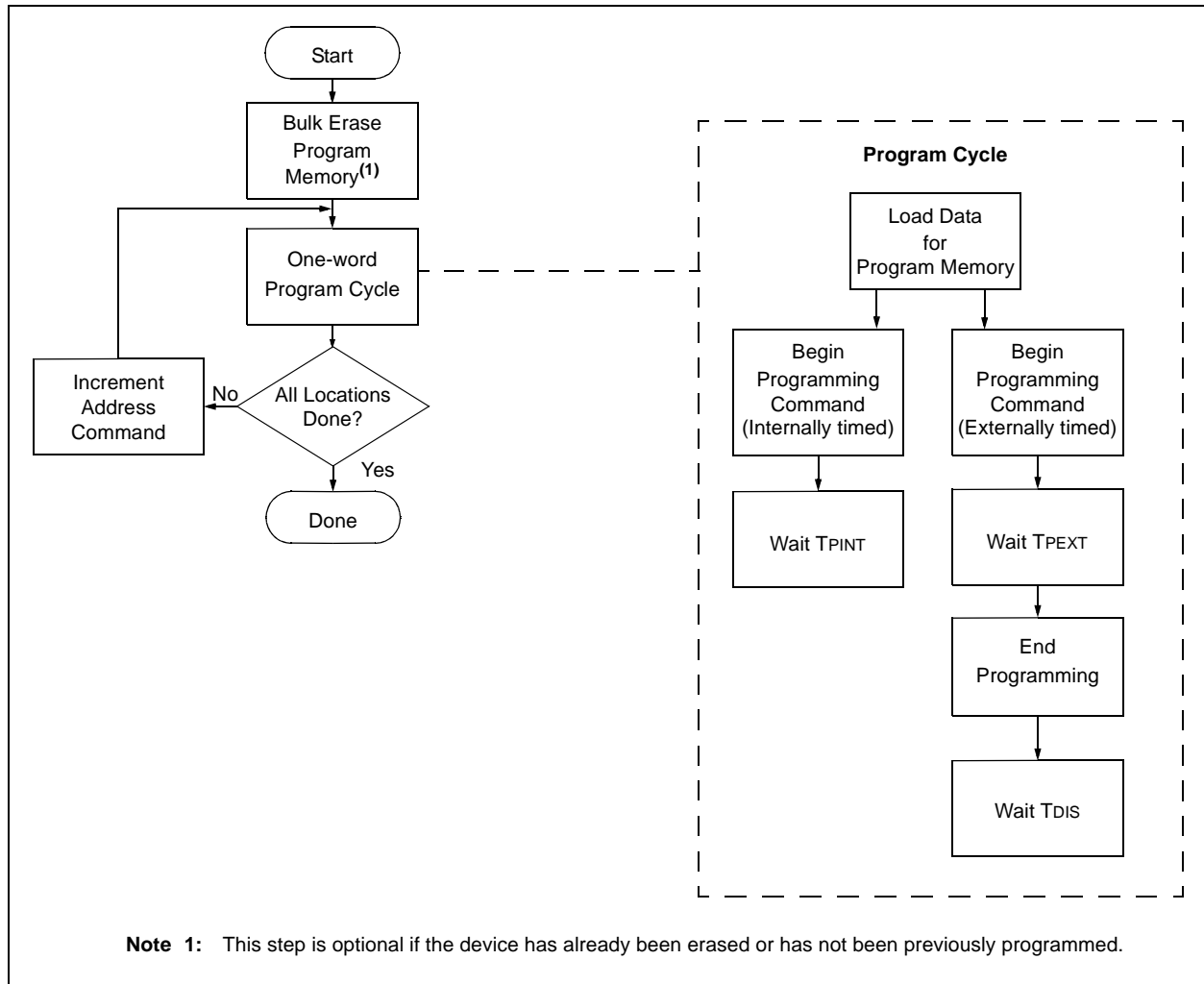
5.0 PROGRAMMING ALGORITHMS

The PIC16(L)F72X devices have the capability of storing eight 14-bit words in its data latches. The data latches are internal to the PIC16(L)F72X devices and are only used for programming. The data latches allow the user to program up to eight program words with a single Begin Externally Timed Programming or Begin Internally Timed Programming command. The Load Program Data or the Load Configuration Word command is used to load a single data latch. The data latch will hold the data until Begin Externally Timed Programming or Begin Internally Timed Programming command is given.

The data latches are aligned with the 3 LSB of the PC. The address of the PC, at the time the Begin Externally Timed Programming or Begin Internally Timed Programming command is given, will determine which location(s) in memory are written. Writes cannot cross a physical eight-word boundary. For example, attempting to write from PC 0002h-0009h will result in data being written to 0008h-000Fh.

If more than 8 data latches are written without a Begin Externally Timed Programming or Begin Internally Timed Programming command the data in the data latches will be overwritten. The following diagrams show the recommended flowcharts for programming.

FIGURE 5-1: ONE-WORD PROGRAMMING FLOWCHART



PIC16(L)F72X

FIGURE 5-2: EIGHT-WORD PROGRAMMING FLOWCHART

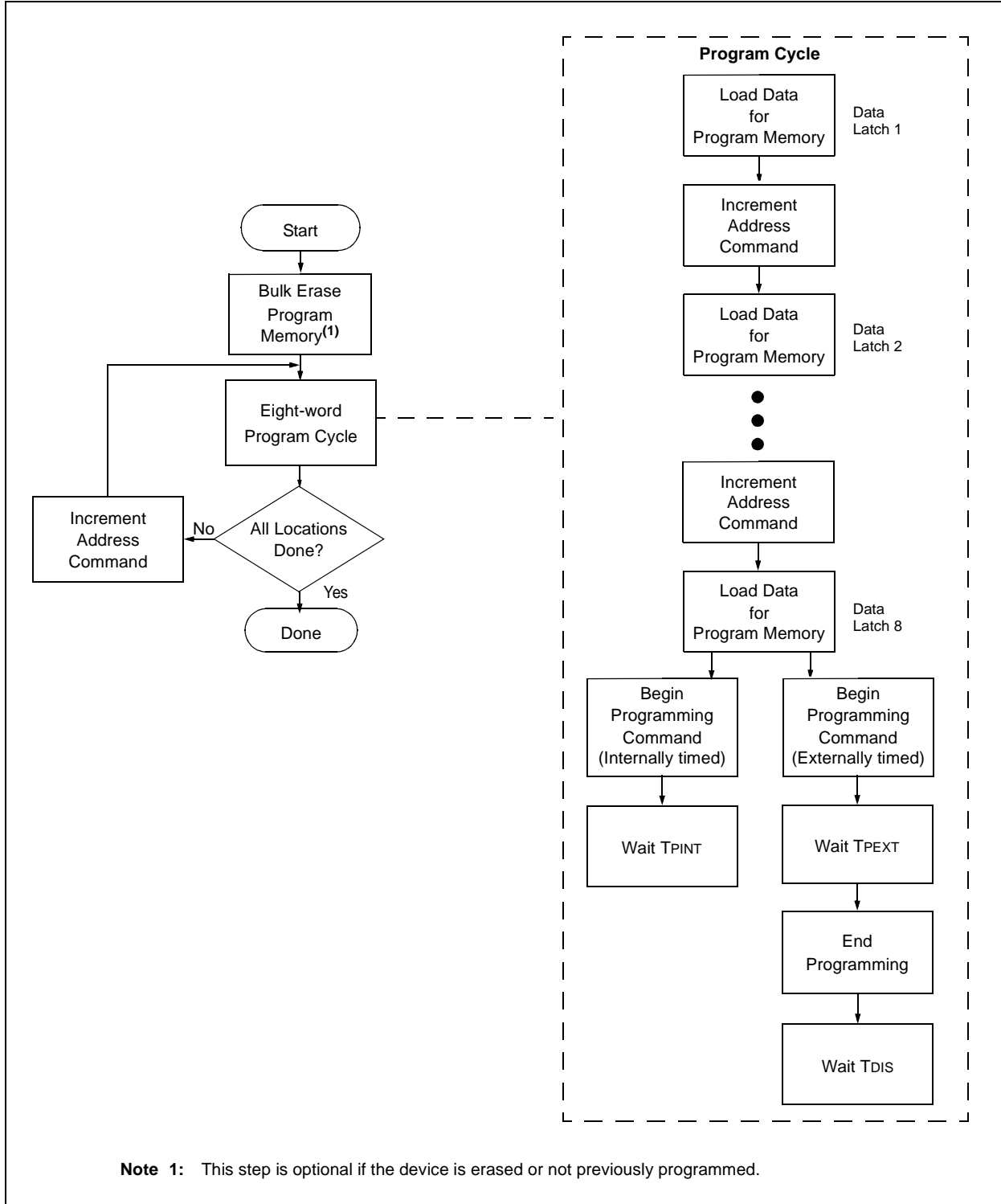
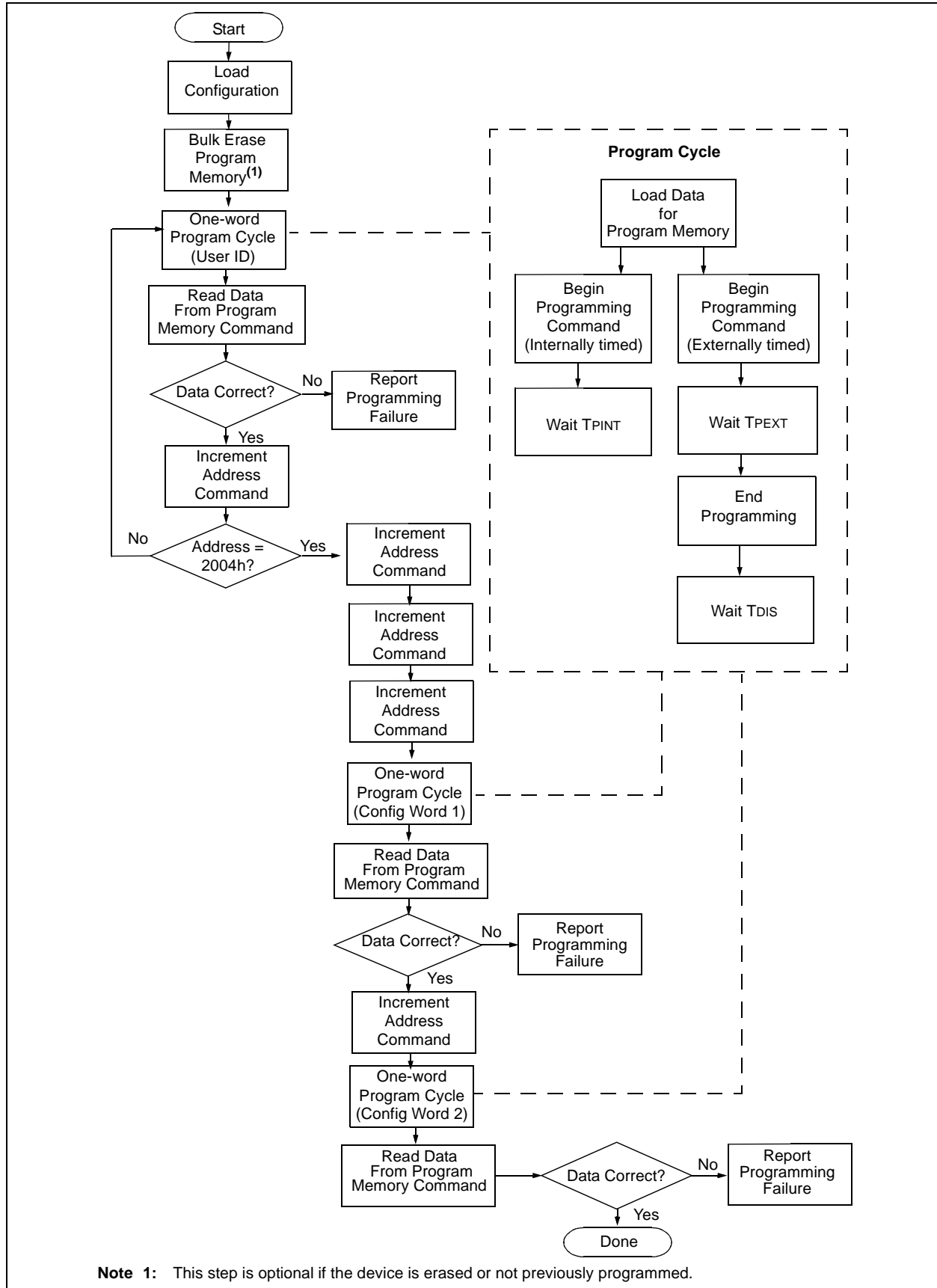
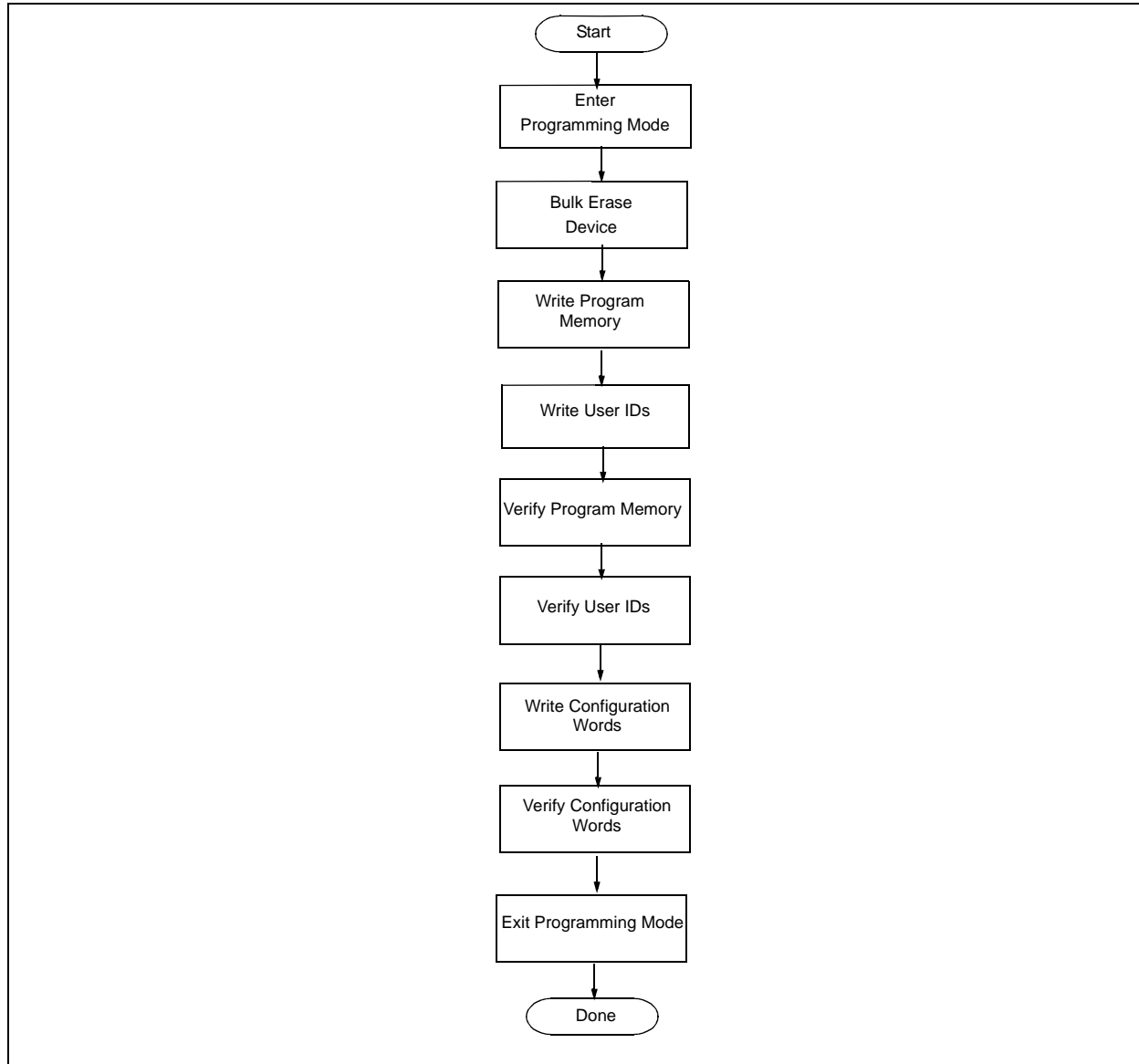


FIGURE 5-3: PROGRAM FLOWCHART – PIC16F72X CONFIGURATION MEMORY



PIC16(L)F72X

FIGURE 5-4: VERIFY FLOWCHART



6.0 CODE PROTECTION

Code protection is controlled using the $\overline{\text{CP}}$ bit in Configuration Word 1. When code protection is enabled, all program memory locations (0000h-1FFFh) read as all '0'. Further programming is disabled for the program memory (0000h-1FFFh).

The user ID locations and Configuration Words can be programmed and read out regardless of the code protection settings.

6.1 Enabling Code Protection

Code protection is enabled by programming the $\overline{\text{CP}}$ bit in Configuration Word 1 to '0'.

6.2 Disabling Code Protection

The only way to disable code protection is to use the Bulk Erase Program Memory command.

PIC16(L)F72X

7.0 HEX FILE USAGE

In the hex file there are two bytes per program word stored in the Intel® INH8M hex format. Data is stored LSB first, MSB second. Because there are two bytes per word, the addresses in the hex file are 2x the address in program memory. (Example: The Configuration Word 1 is stored at 2007h on the PIC16(L)F72X. In the hex file this will be at location 400Eh-400Fh).

7.1 Configuration Word

To allow portability of code, it is strongly recommended that the programmer is able to read the Configuration Words and user ID locations from the hex file. If the Configuration Words information was not present in the hex file, a simple warning message may be issued. Similarly, while saving a hex file, Configuration Words and user ID information should be included.

7.2 Device ID and Revision

If a device ID is present in the hex file at 400Ch-400Dh (2006h on the part), the programmer should verify the device ID/revision against the value read from the part. On a mismatch condition, the programmer should generate a warning message.

7.3 Checksum Computation

The checksum is calculated by two different methods, dependent on the setting of the CP Configuration bit.

7.3.1 CODE PROTECTION DISABLED

With the code protection disabled, the checksum is computed by reading the contents of the PIC16(L)F72X program memory locations and adding up the program memory data, starting at address 0000h, up to the maximum user addressable location (e.g., 1FFFh for the PIC16F726). Any Carry bit exceeding 16 bits are neglected. Additionally, the relevant bits of the Configuration Words are added to the checksum. All unused Configuration bits are masked to '0'.

EXAMPLE 7-1: CHECKSUM COMPUTED WITH CODE PROTECTION DISABLED, PIC16F726, BLANK DEVICE

PIC16F726	Sum of Memory addresses 0000h-1FFFh	E000h
	Configuration Word 1	2AC3h
	Configuration Word 1 mask	377Fh
	Configuration Word 2	3FEFh
	Configuration Word 2 mask	0030h
	Checksum	= E000h + (2AC3h and 377Fh) + (3FEFh and 0030h)
		= E000h + 2243h + 0020h
		= 0263h

7.3.2 CODE PROTECTION ENABLED

With the code protection enabled, the checksum is computed in the following manner. The Configuration Words are summed (all unused Configuration bits are masked to '0') with the Least Significant nibble of the user ID's.

EXAMPLE 7-2: CHECKSUM COMPUTED WITH CODE PROTECTION ENABLED, PIC16F726, BLANK DEVICE

PIC16F726	Configuration Word 1	2A83h
	Configuration Word 1 mask	377Fh
	Configuration Word 2	3FEFh
	Configuration Word 2 mask	0030h
	User ID (2000h)	0123h
	User ID (2001h)	4567h
	User ID (2002h)	89ABh
	User ID (2003h)	CDEFh
	Sum of User IDs = (0003h and 000Fh) << 12 + (0007h and 000Fh) << 8 + (000Bh and 000Fh) << 4 + (000Fh and 000Fh)	
	= 3000h + 0700h + 00B0h + 000Fh	
	= 37BFh	
	Checksum = (2A83h and 377Fh) + (3FEFh and 0030h) + Sum of User IDs	
	= 2203h + 0020h + 37BFh	
	= 59E2h	

PIC16(L)F72X

8.0 ELECTRICAL SPECIFICATIONS

Refer to the device specific data sheet for absolute maximum ratings.

TABLE 8-1: AC/DC CHARACTERISTICS TIMING REQUIREMENTS FOR PROGRAM/VERIFY MODE

AC/DC CHARACTERISTICS		Standard Operating Conditions (unless otherwise stated) Operating Temperature $+10^{\circ}\text{C} \leq T_A \leq +40^{\circ}\text{C}$				
Sym.	Characteristics	Min.	Type.	Max.	Units	Conditions/Comments
Supply Voltages and currents						
VDD	VDD					
	PIC16F72X (excluding Bulk Erase)	1.8	—	5.5	V	
	PIC16LF72X (excluding Bulk Erase)	1.8	—	3.6	V	
	PIC16(L)F72X Bulk Erase	2.7		—	V	
IDDI	Current on VDD, Idle			1.0	mA	
IDDA	Current on VDD, program cycle or Bulk Erase in progress			5.0	mA	
VIHH	VPP					
	High voltage on $\overline{\text{MCLR}}$ /VPP for Program/Verify mode entry	8.0	—	9.0	V	
TVHHR	$\overline{\text{MCLR}}$ rise time (VDD to VIHH) for Program/Verify mode entry	—	—	1.0	μs	
IPP	Current on $\overline{\text{MCLR}}$ /VPP			5.0	mA	
I/O pins						
VIH	(ICSPCLK, ICSPDAT) input high level	0.8 VDD	—	—	V	
VIL	(ICSPCLK, ICSPDAT) input low level	—	—	0.2 VDD	V	
VOH	ICSPDAT output high level	VDD-0.7 VDD-0.7 VDD-0.7		VDD	V	IOH = 3.5 mA, VDD = 5V IOH = 3 mA, VDD = 3.3V IOH = 2 mA, VDD = 1.8V
VOL	ICSPDAT output low level	VSS		VSS+0.6 VSS+0.6 VSS+0.6	V	IOH = 8 mA, VDD = 5V IOH = 6 mA, VDD = 3.3V IOH = 3 mA, VDD = 1.8V
Programming mode entry and exit						
TENTS	Programing mode entry setup time: ICSPCLK, ICSPDAT setup time before VDD or $\overline{\text{MCLR}}\uparrow$	100	—	—	ns	
TENTH	Programing mode entry hold time: ICSPCLK, ICSPDAT hold time after VDD or $\overline{\text{MCLR}}\uparrow$	250			μs	
Serial Program/Verify						
TCKL	Clock Low Pulse Width	100	—	—	ns	
TCKH	Clock High Pulse Width	100	—	—	ns	
TDS	Data in setup time before clock \downarrow	100	—	—	ns	
TDH	Data in hold time after clock \downarrow	100	—	—	ns	
Tco	Clock \uparrow to data out valid (during a Read Data command)	0	—	80	ns	
TLZD	Clock \downarrow to data low-impedance (during a Read Data command)	0	—	80	ns	
THZD	Clock \downarrow to data high-impedance (during a Read Data command)	0	—	80	ns	

TABLE 8-1: AC/DC CHARACTERISTICS TIMING REQUIREMENTS FOR PROGRAM/VERIFY MODE (CONTINUED)

AC/DC CHARACTERISTICS		Standard Operating Conditions (unless otherwise stated) Operating Temperature $+10^{\circ}\text{C} \leq T_A \leq +40^{\circ}\text{C}$				
Sym.	Characteristics	Min.	Type.	Max.	Units	Conditions/Comments
TDLY	Data input not driven to next clock input (delay required between command/data or command/command)	1.0	—	—	μs	
TERAB	Bulk Erase cycle time	—	—	5	ms	
TERAR	Row Erase cycle time	—	—	2.5	ms	
TPINT	Internally timed programming operation time	—	—	2.5	ms	Program memory
		—	—	5	ms	Configuration fuses
TPEXT	Externally timed programming pulse	1.0	—	2.1	ms	$10^{\circ}\text{C} \leq T_A \leq +40^{\circ}\text{C}$ Program memory
TDIS	Time delay from program to compare (HV discharge time)	100	—	—	μs	
TEXIT	Time delay when exiting Program/Verify mode	1	—	—	μs	

PIC16(L)F72X

8.1 AC Timing Diagrams

FIGURE 8-2: PROGRAMMING MODE ENTRY – V_{DD} FIRST

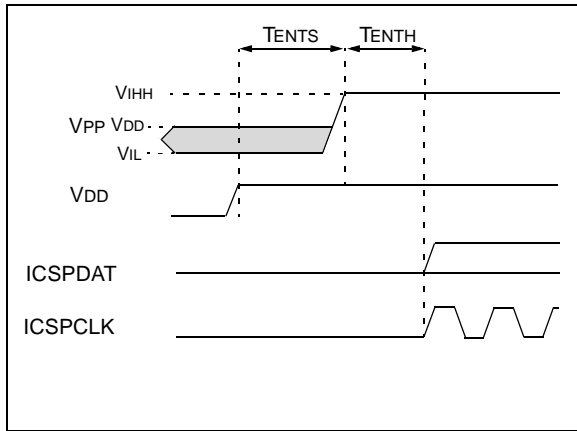


FIGURE 8-3: PROGRAMMING MODE ENTRY – V_{PP} FIRST

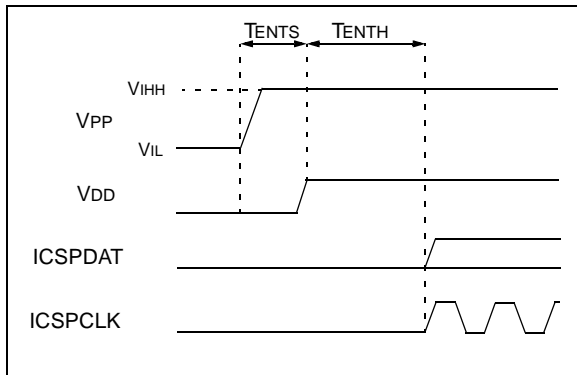


FIGURE 8-4: PROGRAMMING MODE EXIT – V_{PP} LAST

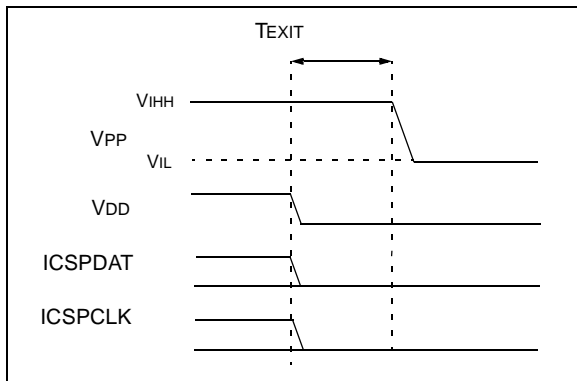


FIGURE 8-5: PROGRAMMING MODE EXIT – V_{DD} LAST

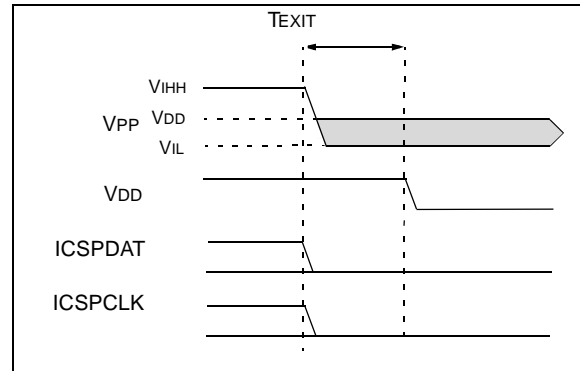


FIGURE 8-6: CLOCK AND DATA TIMING

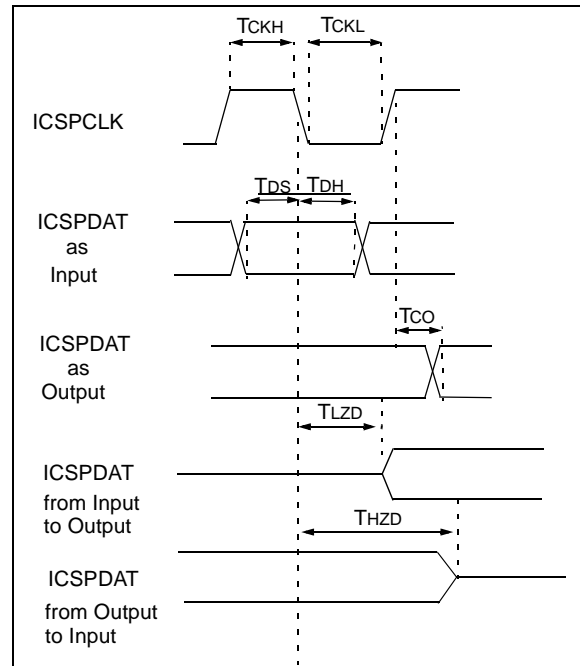
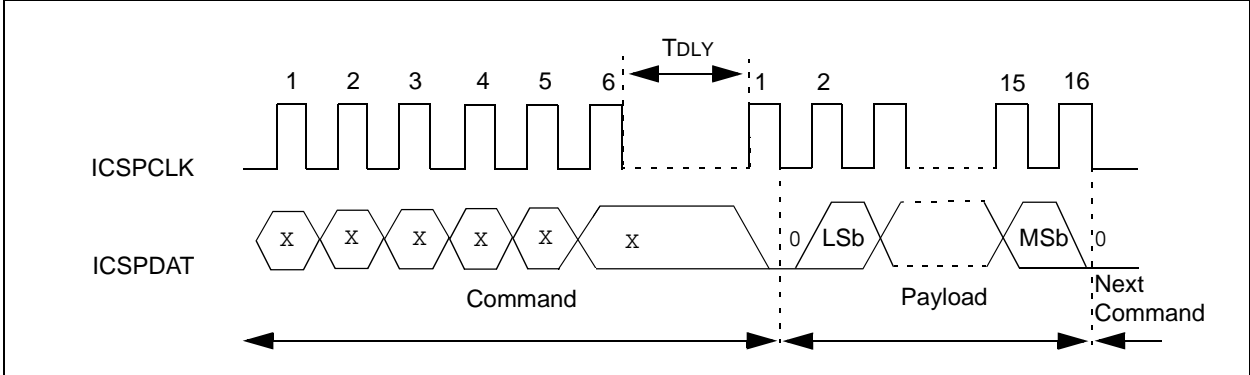


FIGURE 8-7: COMMAND-PAYLOAD TIMING



PIC16(L)F72X

APPENDIX A: REVISION HISTORY

Revision A (11/2007)

Original release of this document.

Revision B (02/2009)

Updated minimum V_{DD} for Bulk Erase in Table 8-1. Various minor edits.

Clarified time of transition from input to output in Figure 4-3.

Corrected Reserved area range in Figures 3-1, 3-2, and 3-3.

Corrected low-voltage range for Programming modes shown in Figures 8-3 and 8-5.

Revision C (02/2010)

Added PIC16F722A, PIC16F723A, PIC16LF722A and PIC16LF723A devices to the Programming Specification; Other minor edits.

Revision D (03/2011)

Updated spec. to new format; Updated Figure 2-2 to add UQFN; Added Figure 2-6; Added Note 2 to Register 3-1, and Note 1 to Register 3-2; Revised Examples 7-1 and 7-2.

Note the following details of the code protection feature on Microchip devices:

- Microchip products meet the specification contained in their particular Microchip Data Sheet.
- Microchip believes that its family of products is one of the most secure families of its kind on the market today, when used in the intended manner and under normal conditions.
- There are dishonest and possibly illegal methods used to breach the code protection feature. All of these methods, to our knowledge, require using the Microchip products in a manner outside the operating specifications contained in Microchip's Data Sheets. Most likely, the person doing so is engaged in theft of intellectual property.
- Microchip is willing to work with the customer who is concerned about the integrity of their code.
- Neither Microchip nor any other semiconductor manufacturer can guarantee the security of their code. Code protection does not mean that we are guaranteeing the product as “unbreakable.”

Code protection is constantly evolving. We at Microchip are committed to continuously improving the code protection features of our products. Attempts to break Microchip's code protection feature may be a violation of the Digital Millennium Copyright Act. If such acts allow unauthorized access to your software or other copyrighted work, you may have a right to sue for relief under that Act.

Information contained in this publication regarding device applications and the like is provided only for your convenience and may be superseded by updates. It is your responsibility to ensure that your application meets with your specifications. MICROCHIP MAKES NO REPRESENTATIONS OR WARRANTIES OF ANY KIND WHETHER EXPRESS OR IMPLIED, WRITTEN OR ORAL, STATUTORY OR OTHERWISE, RELATED TO THE INFORMATION, INCLUDING BUT NOT LIMITED TO ITS CONDITION, QUALITY, PERFORMANCE, MERCHANTABILITY OR FITNESS FOR PURPOSE. Microchip disclaims all liability arising from this information and its use. Use of Microchip devices in life support and/or safety applications is entirely at the buyer's risk, and the buyer agrees to defend, indemnify and hold harmless Microchip from any and all damages, claims, suits, or expenses resulting from such use. No licenses are conveyed, implicitly or otherwise, under any Microchip intellectual property rights.

Trademarks

The Microchip name and logo, the Microchip logo, dsPIC, KEELOQ, KEELOQ logo, MPLAB, PIC, PICmicro, PICSTART, PIC³² logo, rPIC and UNI/O are registered trademarks of Microchip Technology Incorporated in the U.S.A. and other countries.

FilterLab, Hampshire, HI-TECH C, Linear Active Thermistor, MXDEV, MXLAB, SEEVAL and The Embedded Control Solutions Company are registered trademarks of Microchip Technology Incorporated in the U.S.A.

Analog-for-the-Digital Age, Application Maestro, CodeGuard, dsPICDEM, dsPICDEM.net, dsPICworks, dsSPEAK, ECAN, ECONOMONITOR, FanSense, HI-TIDE, In-Circuit Serial Programming, ICSP, Mindi, MiWi, MPASM, MPLAB Certified logo, MPLIB, MPLINK, mTouch, Omniscient Code Generation, PICC, PICC-18, PICDEM, PICDEM.net, PICkit, PICTail, REAL ICE, rLAB, Select Mode, Total Endurance, TSHARC, UniWinDriver, WiperLock and ZENA are trademarks of Microchip Technology Incorporated in the U.S.A. and other countries.

SQTP is a service mark of Microchip Technology Incorporated in the U.S.A.

All other trademarks mentioned herein are property of their respective companies.

© 2011, Microchip Technology Incorporated, Printed in the U.S.A., All Rights Reserved.

 Printed on recycled paper.

ISBN: 978-1-61341-083-7

Microchip received ISO/TS-16949:2002 certification for its worldwide headquarters, design and wafer fabrication facilities in Chandler and Tempe, Arizona; Gresham, Oregon and design centers in California and India. The Company's quality system processes and procedures are for its PIC® MCUs and dsPIC® DSCs, KEELOQ® code hopping devices, Serial EEPROMs, microperipherals, nonvolatile memory and analog products. In addition, Microchip's quality system for the design and manufacture of development systems is ISO 9001:2000 certified.

**QUALITY MANAGEMENT SYSTEM
CERTIFIED BY DNV
== ISO/TS 16949:2002 ==**



MICROCHIP

Worldwide Sales and Service

AMERICAS

Corporate Office
2355 West Chandler Blvd.
Chandler, AZ 85224-6199
Tel: 480-792-7200
Fax: 480-792-7277
Technical Support:
<http://www.microchip.com/support>
Web Address:
www.microchip.com

Atlanta
Duluth, GA
Tel: 678-957-9614
Fax: 678-957-1455

Boston
Westborough, MA
Tel: 774-760-0087
Fax: 774-760-0088

Chicago
Itasca, IL
Tel: 630-285-0071
Fax: 630-285-0075

Cleveland
Independence, OH
Tel: 216-447-0464
Fax: 216-447-0643

Dallas
Addison, TX
Tel: 972-818-7423
Fax: 972-818-2924

Detroit
Farmington Hills, MI
Tel: 248-538-2250
Fax: 248-538-2260

Indianapolis
Noblesville, IN
Tel: 317-773-8323
Fax: 317-773-5453

Los Angeles
Mission Viejo, CA
Tel: 949-462-9523
Fax: 949-462-9608

Santa Clara
Santa Clara, CA
Tel: 408-961-6444
Fax: 408-961-6445

Toronto
Mississauga, Ontario,
Canada
Tel: 905-673-0699
Fax: 905-673-6509

ASIA/PACIFIC

Asia Pacific Office
Suites 3707-14, 37th Floor
Tower 6, The Gateway
Harbour City, Kowloon
Hong Kong
Tel: 852-2401-1200
Fax: 852-2401-3431

Australia - Sydney
Tel: 61-2-9868-6733
Fax: 61-2-9868-6755

China - Beijing
Tel: 86-10-8528-2100
Fax: 86-10-8528-2104

China - Chengdu
Tel: 86-28-8665-5511
Fax: 86-28-8665-7889

China - Chongqing
Tel: 86-23-8980-9588
Fax: 86-23-8980-9500

China - Hong Kong SAR
Tel: 852-2401-1200
Fax: 852-2401-3431

China - Nanjing
Tel: 86-25-8473-2460
Fax: 86-25-8473-2470

China - Qingdao
Tel: 86-532-8502-7355
Fax: 86-532-8502-7205

China - Shanghai
Tel: 86-21-5407-5533
Fax: 86-21-5407-5066

China - Shenyang
Tel: 86-24-2334-2829
Fax: 86-24-2334-2393

China - Shenzhen
Tel: 86-755-8203-2660
Fax: 86-755-8203-1760

China - Wuhan
Tel: 86-27-5980-5300
Fax: 86-27-5980-5118

China - Xian
Tel: 86-29-8833-7252
Fax: 86-29-8833-7256

China - Xiamen
Tel: 86-592-2388138
Fax: 86-592-2388130

China - Zhuhai
Tel: 86-756-3210040
Fax: 86-756-3210049

ASIA/PACIFIC

India - Bangalore
Tel: 91-80-3090-4444
Fax: 91-80-3090-4123

India - New Delhi
Tel: 91-11-4160-8631
Fax: 91-11-4160-8632

India - Pune
Tel: 91-20-2566-1512
Fax: 91-20-2566-1513

Japan - Yokohama
Tel: 81-45-471- 6166
Fax: 81-45-471-6122

Korea - Daegu
Tel: 82-53-744-4301
Fax: 82-53-744-4302

Korea - Seoul
Tel: 82-2-554-7200
Fax: 82-2-558-5932 or
82-2-558-5934

Malaysia - Kuala Lumpur
Tel: 60-3-6201-9857
Fax: 60-3-6201-9859

Malaysia - Penang
Tel: 60-4-227-8870
Fax: 60-4-227-4068

Philippines - Manila
Tel: 63-2-634-9065
Fax: 63-2-634-9069

Singapore
Tel: 65-6334-8870
Fax: 65-6334-8850

Taiwan - Hsin Chu
Tel: 886-3-6578-300
Fax: 886-3-6578-370

Taiwan - Kaohsiung
Tel: 886-7-213-7830
Fax: 886-7-330-9305

Taiwan - Taipei
Tel: 886-2-2500-6610
Fax: 886-2-2508-0102

Thailand - Bangkok
Tel: 66-2-694-1351
Fax: 66-2-694-1350

EUROPE

Austria - Wels
Tel: 43-7242-2244-39
Fax: 43-7242-2244-393

Denmark - Copenhagen
Tel: 45-4450-2828
Fax: 45-4485-2829

France - Paris
Tel: 33-1-69-53-63-20
Fax: 33-1-69-30-90-79

Germany - Munich
Tel: 49-89-627-144-0
Fax: 49-89-627-144-44

Italy - Milan
Tel: 39-0331-742611
Fax: 39-0331-466781

Netherlands - Drunen
Tel: 31-416-690399
Fax: 31-416-690340

Spain - Madrid
Tel: 34-91-708-08-90
Fax: 34-91-708-08-91

UK - Wokingham
Tel: 44-118-921-5869
Fax: 44-118-921-5820

02/18/11