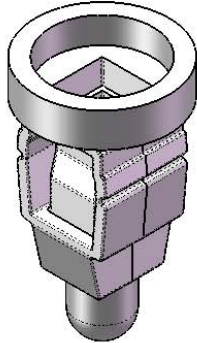
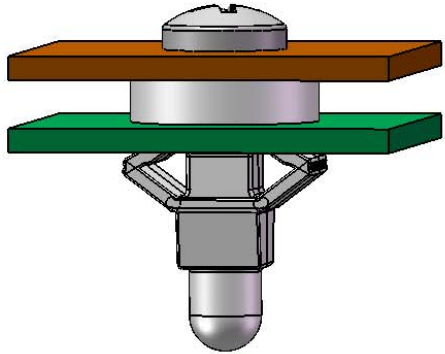
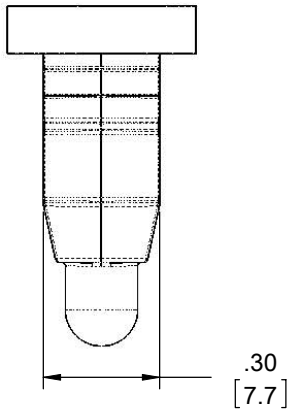
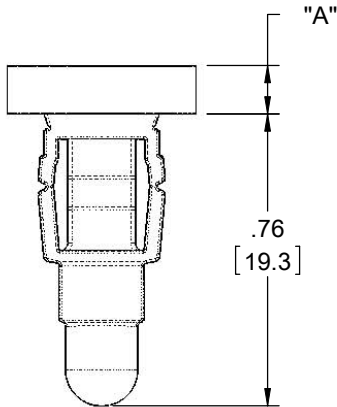
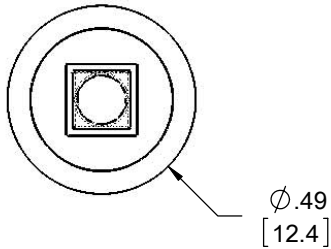


PART NO.	"A" ±.010	MOUNTING PANEL THICKNESS
TFR-1	.031 [0.80]	.060-.110 [1.5-2.8]
TFR-2	.125 [3.2]	.020-.110 [0.5-2.8]
TFR-3	.189 [4.8]	.020-.110 [0.5-2.8]



- NOTES:
1. MATERIAL: NYLON 6/6 UL94 V-2 (RMS-01)
 2. COLOR: NATURAL
 3. MOUNTING HOLE: .315 ±.004 [8 ±0.1] SQUARE HOLE
 4. USE #8 SELF THREADING SCREW
 5. ALTERNATE UNITS FOR REFERENCE ONLY

REV.	DESCRIPTION	ENGR.	DATE
B	SEE CO 200107 FOR CHANGES	SK	01/16/08
A	RELEASED FOR PRODUCTION	SK	08/15/07

TITLE: TOGGLE SCREW GROMMET						DWG IN IN [MM]	
CREATED USING SOLIDWORKS	FILE #: TFR	DWN: S.J.	APP: S.J.	FINAL			
TOLERANCES UNLESS NOTED XX=±.010 .XXX=±.005 FRAC.=±1/64 ANG.=±1°	SHEET: 1 OF 1	SHEET SIZE: A	DT: 8.13.07	CHKD: S.K.	PART #	PRINT TYPE	
	RE: RICHCO, INC.		RICHCO, INC. ENG@RICHCO-INC.COM (773) 539-4060		SEE TABLE	CA	