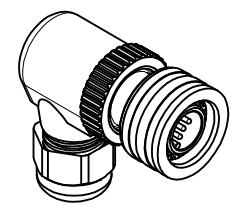
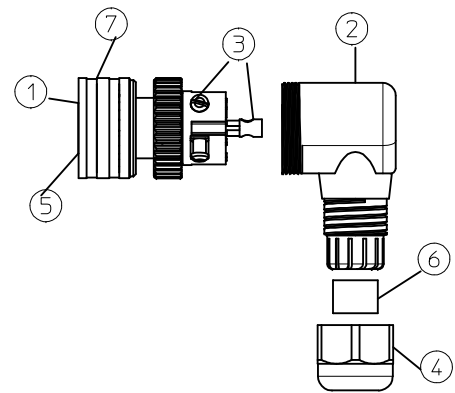
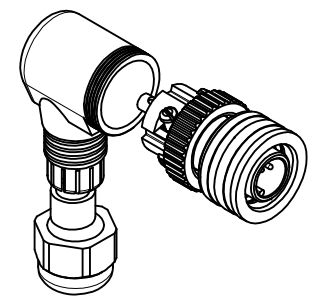


CABLE RANGE PG7  
 Ø2,5 - Ø6,5mm



POL	MATERIAL NO.	ENGINEERING NO.
4	1200850007	WA4007-31
5	1200850008	WA5007-31

ITEM	COMPONENT	MATERIAL	FINISH
1	INSERT	PA	BLACK
2	HOUSING	PA	BLACK
3	CONTACT	BRASS / GOLD	CuZn Ni/ Au
4	PG NUT	PA	BLACK
5	O-RING	VITON	RED
6	GROMMET	CR	BLACK
7	ULTRA-LOCK	BRASS /ST.STEEL	NICKEL PLATED

**VOLTAGE RATING:** 4 POLE: 250 VAC/VDC  
 5 POLE: 30 VAC/36 VDC

**AMPERAGE RATING:** 4A

**PROTECTION CLASS:** IP 67/68/69K

**OPERATING TEMPERATURE:** -25°C / 90°C

**UL CERTIFICATION:** FILE NO. E152210

**CSA CERTIFICATIONS:** FILE NO. LR6837

ENTER DESCRIPTION  
 EC NO: IPG2013-2053  
 DRWN: BRAUCH 2013/06/28  
 CHKD:  
 APPR: BURGER 2013/06/28

QUALITY SYMBOLS  
 ▽=0  
 ◻=0

GENERAL TOLERANCES (UNLESS SPECIFIED)	
	mm
4 PLACES	± ---
3 PLACES	± ---
2 PLACES	± 0.05
1 PLACE	± 0.1
0 PLACE	± ---
ANGULAR ± ---°	

DRAFT WHERE APPLICABLE MUST REMAIN WITHIN DIMENSIONS

DIMENSION STYLE	
MM ONLY	
DRAWN BY	DATE
NSTAUDIGEL	2010/02/02
CHECKED BY	DATE
APPROVED BY	DATE
FPACHER	2010/02/05
MATERIAL NO.	
---	

SCALE	DESIGN UNITS	THIRD ANGLE PROJECTION
1:1	METRIC	☉
TITLE		
FA U12 XP AC MA RA PG7 BK BRA		
<b>molex</b>		
DOCUMENT NO.	SHEET NO.	
SD-120085-003	1 OF 1	
THIS DRAWING CONTAINS INFORMATION THAT IS PROPRIETARY TO MOLEX INCORPORATED AND SHOULD NOT BE USED WITHOUT WRITTEN PERMISSION		