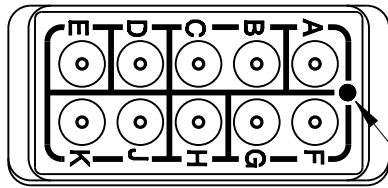
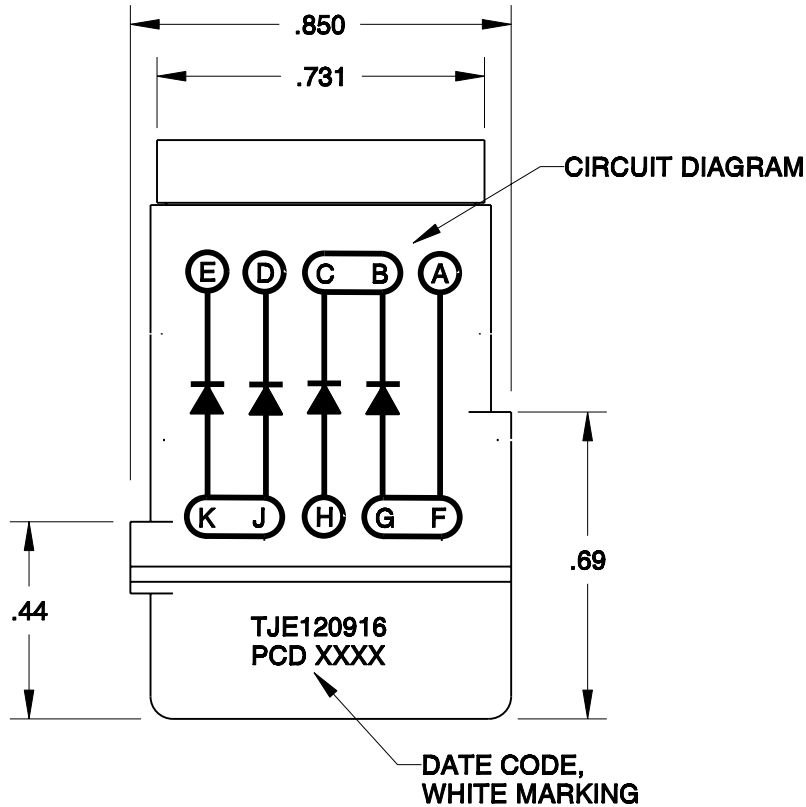


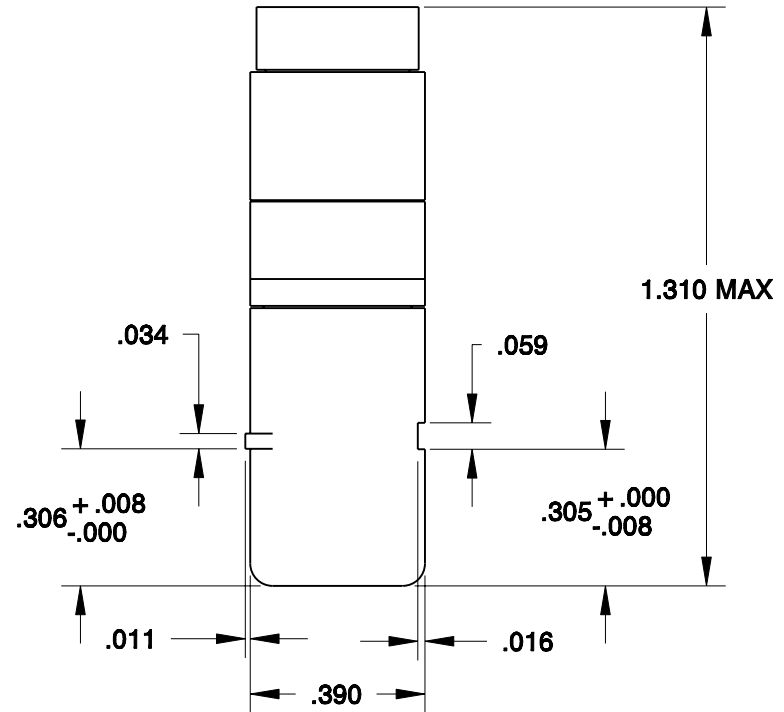
| | | |
|-----|------|-------|
| REV | ECN | APP'D |
| - | 4859 | |



INDEXING INDICATOR



- NOTES:
1. MATERIALS:
HOUSING: POLYETHERIMIDE, COLOR: BLACK.
GROMMET: SILICONE ELASTOMER, COLOR: BLUE.
DIODE: 1N4005, QTY: 4
 2. MODULE SUPPLIED WITH 11 CONTACTS, M39029/1-101.
 3. MODULE CONFORMS TO MIL-T-81714.



| | | | | | | | |
|---|--|-----------------------|------------------------------|--|-------------|---|--------------|
| DIMENSIONS ANSI Y14.5M UNITS: INCHES Pro/E FILE | TOLERANCES .XX ±0.01 .XXX ±0.008 ANGLES ±1.0° | PROJECTION | SPECIFICATION DRAWING | | | TITLE TJE DIODE MODULE 1N4005 | |
| | | | ENGR S. HORNER 14-May-02 | | | | |
| ORIGINAL | THIS DOCUMENT CONTAINS PROPRIETARY INFORMATION WHICH IS THE CONFIDENTIAL PROPERTY OF PCD, INC. PEABODY, MA, USA | | CHKD | | SIZE A | DWG NO. TJE120916 | REV - |
| | | | APPD | | CODE: 58982 | SCALE: NONE | SHEET 1 OF 1 |