

All dimensions are in mm; tolerances according to ISO 2768 m-H

Documents

Packing instruction VG83.22000

Electrical data

Contact resistance initial ≤ 35 mOhm
 After full life ≤ 50 mOhm
 At 2 mm deflection, measured antenna – pin – PCB
 Working voltage 4 V
 Current Operating current per pin 1.5 A
 Peak current per pin 2.0 A
 Proof voltage 500 VDC

Dieses Dokument ist urheberrechtlich geschützt • This document is protected by copyright • Rosenberger Hochfrequenztechnik GmbH & Co. KG

RF_35/09.14/6.2

Mechanical data

Mating cycles	> 5,000	
Max. pin travel	2.5 mm	
Nominal height	4.9 mm	
Middle axis	0.9 mm above PCB	
Spring force	0.3 N with	0.15 mm stroke
	0.8 N ± 0.15 N	2.0 mm stroke

Material and plating

Connector parts

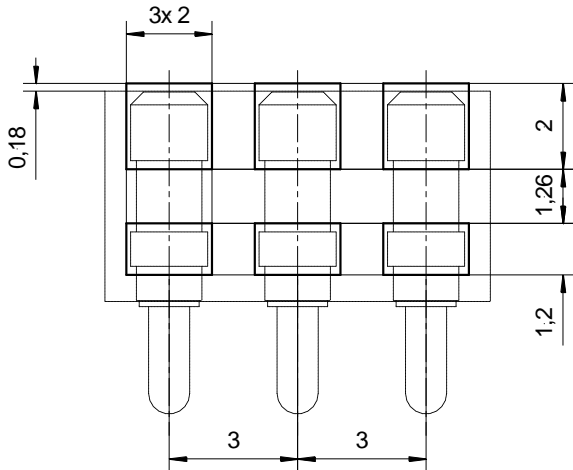
Piston	Brass	Plating 0,5 µm Gold over Ni
Ferrule	Brass	0.15 µm Gold over Ni
Spring	Stainless steel	
Carrier	LCP	black

Environmental data

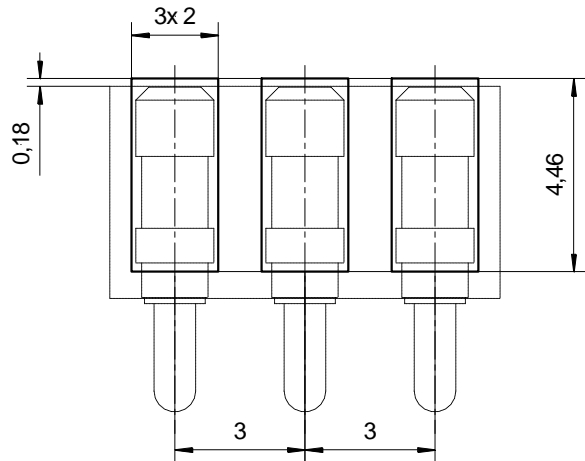
Temperature range	IEC 60068-2-1, Aa	-20 °C
	IEC 60068-2-2, Bb	+80 °C
Storage temperature	IEC 60068-2-1, Aa	-40 °C
	IEC 60068-2-2, Bb	+85 °C
Relative humidity 2002/95/EC (RoHS)	5x / 95% RH compliant	

PCB Layout

1. Suggestion

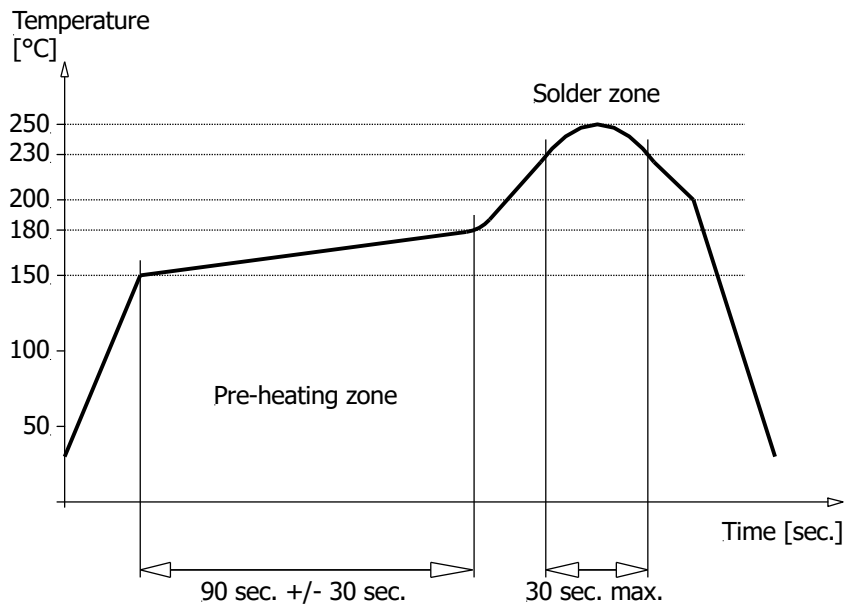


2. Suggestion



Soldering process

1. Lead free solder process



Packing

Standard

2,200 pcs. in tape&reel

Weight

0.28 g/pce.

While the information has been carefully compiled to the best of our knowledge, nothing is intended as representation or warranty on our part and no statement herein shall be construed as recommendation to infringe existing patents. In the effort to improve our products, we reserve the right to make changes judged to be necessary.

Draft	Date	Approved	Date	Rev.	Engineering change number	Name	Date
F. Michelmann	28.09.05	C. Kainzmaier	08.06.18	c00	18-0940	M. Margardt	08.06.18