



# **SmartServer 2.2 Hardware Guide**



Echelon, i.LON, LON, LONWORKS, LonTalk, Neuron, LONMARK, 3120, 3150 and the Echelon logo are trademarks of Echelon Corporation registered in the United States and other countries

Other brand and product names are trademarks or registered trademarks of their respective holders.

Smart Transceivers, Neuron Chips, and other OEM Products were not designed for use in equipment or systems which involve danger to human health or safety or a risk of property damage and Echelon assumes no responsibility or liability for use of the Smart Transceivers or Neuron Chips in such applications.

Parts manufactured by vendors other than Echelon and referenced in this document have been described for illustrative purposes only, and may not have been tested by Echelon. It is the responsibility of the customer to determine the suitability of these parts for each application.

ECHELONMAKES NO REPRESENTATION, WARRANTY, OR CONDITION OF ANY KIND, EXPRESS, IMPLIED, STATUTORY, OR OTHERWISE OR IN ANY COMMUNICATION WITH YOU, INCLUDING, BUT NOT LIMITED TO, ANY IMPLIED WARRANTIES OF MERCHANTABILITY, SATISFACTORY QUALITY, FITNESS FOR ANY PARTICULAR PURPOSE, NONINFRINGEMENT, AND THEIR EQUIVALENTS.

No part of this publication may be reproduced, stored in a retrieval system, or transmitted, in any form or by any means, electronic, mechanical, photocopying, recording, or otherwise, without the prior written permission of Echelon Corporation.

Printed in the United States of America.  
Copyright ©1997–2013 by Echelon Corporation.  
Echelon Corporation  
[www.echelon.com](http://www.echelon.com)

---

# Table of Contents

FCC Compliance Statement – Class B .....	vi
IC Compliance Statement – Class B .....	vi
VCCI Compliance Statement – Class B ITE.....	vi
Welcome .....	vii
Purpose .....	vii
Audience .....	vii
Models .....	vii
Box Contents .....	viii
Hardware Features .....	viii
SmartServer 2.2 Documentation .....	viii
Related Reading .....	ix
Content .....	ix
For More Information and Technical Support .....	ix
<b>1 Assembling the SmartServer Hardware.....</b>	<b>1</b>
Assembly Overview .....	2
Mounting the SmartServer .....	3
Wiring the SmartServer Connections .....	5
Connecting the Screw Terminals.....	6
Power Supply .....	6
LONWORKS Network.....	9
RS-232/RS-485 Serial Ports .....	10
Digital Outputs .....	13
Pulse Meter Inputs .....	15
Digital Inputs .....	17
+12V < 20mA Output.....	18
Connecting the Ethernet Port.....	19
Connecting the Console Port .....	19
Connecting the Telephone Line Port .....	20
Applying Power to the SmartServer .....	20
<b>2 Using the SmartServer LEDs and Buttons.....</b>	<b>21</b>
Using the SmartServer LEDs.....	22
Using the SmartServer Service and Reset Buttons .....	23



# Preface

Echelon's SmartServer is a low-cost, high-performance controller, network manager, router, remote network interface, and Web server that you can use to connect LONWORKS<sup>®</sup>, BACnet, Modbus, and M-Bus devices to corporate IP networks or the Internet.

---

## FCC Compliance Statement – Class B

This equipment has been tested and found to comply with the limits for a Class B digital device pursuant to Part 15 of the FCC Rules. These limits are designed to provide reasonable protection against harmful interference in a residential installation. This equipment generates, uses, and can radiate radio frequency energy and, if not installed and used in accordance with the manufacturer's instruction manual, may cause interference with radio communications. However, there is no guarantee that interference will not occur in a particular installation. If this equipment does cause harmful interference to radio or television reception, which can be determined by turning the equipment off and on, you are encouraged to try to correct the interference by one or more of the following measures:

- Reorient or relocate the receiving antenna.
- Increase the separation between the equipment and the receiver.
- Connect the equipment into an outlet on a circuit different from that which the receiver is connected.
- Consult the dealer or an experienced radio/television technician for help.
- Changes or modifications not expressly approved by the party responsible for compliance could void the user's authority to operate the equipment.

---

## IC Compliance Statement – Class B

This Class B digital apparatus meets the requirements of the Canadian Interference-Causing Equipment Regulations of ICES-003.

---

## VCCI Compliance Statement – Class B ITE

この装置は、情報処理装置等電波障害自主規制協議会（VCCI）の基準に基づくクラスB情報技術装置です。この装置は、家庭環境で使用することを目的としていますが、この装置がラジオやテレビジョン受信機に近接して使用されると、受信障害を引き起こすことがあります。  
取り扱い説明書に従って正しい取り扱いをして下さい。

This is a Class B product based on the standard of the Voluntary Control Council for Interference (VCCI) for information technology equipment. If this equipment is used near a radio or television receiver in a domestic environment, it may cause radio interference. Install and use the equipment according to the instruction manual.



---

## Welcome

The SmartServer is a low-cost, high-performance controller, network manager, router, remote network interface, and Web server that you can use to connect LONWORKS, BACnet, Modbus, and M-Bus devices to corporate IP networks or the Internet.

You can connect the SmartServer to a LONWORKS TP/FT-10 channel using the LON connections on the hardware. You can connect the SmartServer to a PL-20 LONWORKS channel through the high-voltage 100/240V AC mains connection. You can also connect a PL-20 external coupling model of the SmartServer that has an external coupling circuit to a single-phase or three-phase external coupler.

The SmartServer hardware includes a RS-232 port for connecting external GSM modems, M-Bus, and Modbus devices, and other device types, and a RS-485 port for connecting Modbus devices and other device types. In addition, the SmartServer has two digital inputs, two digital outputs, and two pulse meter inputs for connecting electric, gas, and water meters.

Once you have wired all the connections for the SmartServer, you can connect the SmartServer to IP networks using its RJ-45 10/100 BaseT Ethernet port. You can also connect models of the SmartServer that have built-in 56K V.90 analog modems to IP networks using their RJ-11 telephone line ports and a dial-out connection.

Optionally, you can connect the RS-232 console port on the SmartServer to a computer running a terminal emulation program such as PuTTY. This enables you to configure the SmartServer using its console application.

---

## Purpose

This document describes how to assemble, mount, and wire the SmartServer hardware. It also describes the buttons and LEDs on the SmartServer hardware.

---

## Audience

This guide is intended for Echelon's customers, OEMs, system designers, and integrators with an understanding of control networks.

---

## Models

There are five models of the SmartServer available for use on TP/FT-10 free topology twisted pair and PL-20 power line channels. This includes the following:

- TP/FT-10 models that include none to all of the following options: IP-852 routing, programming, and an analog modem.
- PL-20 models that include IP-852 routing and programming, with options for internal or external coupling. The external coupling circuit enables the PL-20 model to communicate over virtually any AC or DC power mains.

The following table lists the SmartServer model numbers, the features included with the model, and the power supply used:

	Options		
	IP-852 Routing	Programmable	Modem
72101R-430 (FT)			
72101R-440 (FT)	x	x	

72102R-440 (FT)	x	x	x
72103R-440 (PL)	x	x	
72103R-460 (PL) External coupling	x	x	

**Note:** You can order programmability and IP-852 activation keys for units that do not have these options pre-installed.

---

## Box Contents

The SmartServer 2.2 hardware ships with the following material:

- **SmartServer 2.2 DVD.** This DVD contains the Echelon SmartServer 2.2 software, Echelon Programming Tools Demo, Echelon Enterprise Services, Echelon *i.LON* Vision software, NodeBuilder Resource Editor, OpenLDV network driver, and Adobe Acrobat® Reader.
- *SmartServer 2.2 Quick Start Guide.* This document describes how to install the SmartServer 2.2 software, connect the SmartServer hardware, set the SmartServer IP address, and select a network management service to run the network attached to your SmartServer.

---

## Hardware Features

The hardware for the SmartServer 2.2 version has the following specifications:

- 64 MB SDRAM (FT versions) or 128 MB SDRAM (PL versions)
- 64 MB NAND flash memory
- 2,048 bytes EEPROM
- 2 MB boot ROM
- 0 to +50°C operating temperature (FT versions) or -40 to 60°C operating temperature (PL versions)
- Internal or external coupling versions available for PL
- Carrier detect line for external modems.
- Reset line to internal modem

---

## SmartServer 2.2 Documentation

The documentation for the SmartServer is provided as Adobe Acrobat PDF files and online help files. You can download the latest SmartServer documentation, including the latest version of this guide, from Echelon's Website at [www.echelon.com/smartserver](http://www.echelon.com/smartserver).

This user's guide, the online help files, and the following documents comprise the SmartServer documentation suite:

- *SmartServer 2.2 User's Guide.* Describes how to configure the SmartServer and use its applications to manage control networks.
- *Echelon Enterprise Services 2.2 User's Guide.* Describes how to use the *SmartServer* AdminServer to rapidly and automatically deploy and install LONWORKS networks and how to use the OpenLNS Proxy Web service to manage OpenLNS networks.
- *i.LON Vision 2.2 User's Guide.* Describes how to create custom Web pages for monitoring and controlling LONWORKS networks and other control networks.
- *SmartServer 2.2 Programming Tools User's Guide.* Describes how to write custom apps and deploy them on the SmartServer. Custom apps let you implement custom functionality and tailor the SmartServer to meet your needs.



- *SmartServer 2.2 Power Line Repeating Network Management Guide*. Describes how to install a PL-20 repeating network and how to use the SmartServer to prepare, maintain, monitor and control, and connect the network.
- *SmartServer 2.0 Programmer's Reference*. Describes how to configure the SmartServer using XML files and SOAP calls. This allows you to create your own applications that you can use to configure, monitor, and control the SmartServer.
- *SmartServer 2.2 Quick Start Guide*. Contains all the information you will need to connect the SmartServer hardware, install the SmartServer 2.2 software, and configure the SmartServer using the SmartServer configuration Web pages.
- *IP-852 Channel User's Guide*. Describes how to configure an IP-852 channel with the Echelon IP-852 Configuration Server. You will need this information if you plan to use the SmartServer as an IP-852 router.

---

## Related Reading

The following additional documents may be useful if you are using certain features of the SmartServer. You can download these documents from Echelon's Web site at [www.echelon.com/docs](http://www.echelon.com/docs).

- *OpenLNS CT<sup>®</sup> User's Guide*. Describes how to use the OpenLNS Commissioning Tool (CT), which you can use to install the SmartServer in a LONWORKS network.
- *OpenLNS<sup>®</sup> Programmer's Guide*. Describes how to write OpenLNS applications that take advantage of the network design, installation, maintenance, and control/monitoring capabilities provided by the SmartServer.
- *OpenLDV<sup>™</sup> Programmer's Guide, xDriver Supplement*. Describes how an OpenLNS or OpenLDV application can use the xDriver software to manage communications with multiple LONWORKS networks over a TCP/IP network. The xDriver software is used to communicate with the SmartServer when it is functioning as a Remote Network Interface (RNI).
- *NodeBuilder User's Guide*. Describes how to use the NodeBuilder tool to develop and test the applications for Neuron-hosted devices.

---

## Content

This guide includes the following content:

- *Assembling the SmartServer Hardware*. Describes how to mount the SmartServer hardware inside a suitable enclosure. Describes how to connect the SmartServer hardware to power supplies; LONWORKS FT-10 and PL-20 channels; digital input, digital output, and pulse meter input devices; and TCP/IP networks. Describes how to connect the SmartServer console port to access its console application.
- *Using the SmartServer LEDs and Buttons*. Describes how to use the LEDs and buttons on the SmartServer hardware.

---

## For More Information and Technical Support

The SmartServer 2.2 ReadMe provides descriptions of known problems, if any, and their workarounds. To view the SmartServer 2.2 ReadMe, click **Start**, point to **Programs**, point to **Echelon SmartServer 2.2 Software**, and then select **SmartServer 2.2 ReadMe First**. You can also find additional information about the SmartServer 2.2online at [www.echelon.com/smartserver](http://www.echelon.com/smartserver).

If you have technical questions that are not answered by this document, the SmartServer 2.2 online help, or the SmartServer 2.2 ReadMe document, you can contact technical support. Free e-mail support is available or you can purchase phone support from Echelon or an Echelon support partner. See [www.echelon.com/support](http://www.echelon.com/support) for more information on Echelon support and training services.

You can also view free online training or enroll in training classes at Echelon or an Echelon training center to learn more about developing devices. You can find additional information about device development training at [www.echelon.com/training](http://www.echelon.com/training).

You can obtain technical support via phone, fax, or e-mail from your closest Echelon support center. The contact information is as follows (check [www.echelon.com/support](http://www.echelon.com/support) for updates to this information):

<b>Region</b>	<b>Languages Supported</b>	<b>Contact Information</b>
The Americas	English Japanese	Echelon Corporation Attn. Customer Support 550 Meridian Avenue San Jose, CA 95126 Phone (toll-free): 1.800-258-4LON (258-4566) Phone: +1.408-938-5200 Fax: +1.408-790-3801 <a href="mailto:lonsupport@echelon.com">lonsupport@echelon.com</a>
Europe	English German French Italian	Echelon Europe Ltd. Suite 12 Building 6 Croxley Green Business Park Hatters Lane Watford Hertfordshire WD18 8YH United Kingdom Phone: +44 (0)1923 430200 Fax: +44 (0)1923 430300 <a href="mailto:lonsupport@echelon.co.uk">lonsupport@echelon.co.uk</a>
Japan	Japanese	Echelon Japan Shinagawa Inter City A 28th floor 2-15-1 Koh-nan, Minato-ku Tokyo 108-6028 Japan Phone: +81 3 6717 2860 Fax: +81 3 6717 4545 <a href="mailto:lonsupport@echelon.co.jp">lonsupport@echelon.co.jp</a>
China	Chinese English	Echelon Greater China Rm. Room 601, Guangming Hotel Office Building Chaoyang District, Beijing 100025, P.R. China Phone: +86-10-6539-3750 Fax: +86-106539-3754 <a href="mailto:lonsupport@echelon.com.cn">lonsupport@echelon.com.cn</a>

Region	Languages Supported	Contact Information
Korea	Korean	<b>Echelon Korea</b> #505 JPLUS Tower 164-3 Samsung-Dong, Gangnam-Gu Seoul 135-881 Republic of Korea Phone: +82 2 568 2783 Fax: +82 2 566 1483 <a href="mailto:support@echelon.com.kr">support@echelon.com.kr</a>
Other Regions	English	Phone: +1.408-938-5200 Fax: +1.408-328-3801 <a href="mailto:lonsupport@echelon.com">lonsupport@echelon.com</a>



# Assembling the SmartServer Hardware

This chapter describes how to mount the SmartServer hardware inside a suitable enclosure. It describes how to connect the SmartServer hardware to a power supply; LONWORKS FT-10 and PL-20 channels; digital input, digital output, and pulse meter input devices; and TCP/IP networks. It describes how to connect the SmartServer console port to access its console application.

---

## Assembly Overview

You need to mount the SmartServer and connect it to an IP network before you can configure it and begin using its embedded applications. This section lists the general steps required to mount and connect the SmartServer. These steps are then detailed in the referenced sections.

1. Mount the SmartServer inside a suitable enclosure. For more information on this step, see the next section, *Mounting the SmartServer*.
2. Connect the screw terminals on the SmartServer.
  - a. You must connect the power screw terminals for all SmartServer models as described in the *Power Supply* section in this chapter.
  - b. If you are assembling an FT-10 model of the SmartServer, you must connect a LONWORKS FT-10 channel to the LON A<sup>®</sup>/PLT + and LON B<sup>®</sup>/PLT - screw terminals on the hardware (screw terminals 18 and 17). For more information, see *LONWORKS Network* in this chapter.

If you are assembling the PL-20 model of the SmartServer with the external coupling option, you can connect twisted pair wiring between screw terminals 17 and 18 and a single-phase or three-phase external coupler. For more information, see *LONWORKS Network* in this chapter. The internal coupling PL-20 model of the SmartServer communicates through the power supply and therefore does not require any additional connections.
  - c. Optionally, you can connect the screw terminals for the RS-232/RS-485 serial ports, digital outputs, pulse meter inputs, digital inputs, and +12V <20mA output on the hardware as described in the respective sections in this chapter for each of these connections.
3. If you are not using an internal analog modem for the SmartServer, connect the Ethernet port on the SmartServer. Connect one end of an Ethernet cable to the Ethernet port on the SmartServer, and then connect the other end to an Ethernet switch or hub that can communicate with your computer (IP network). The Ethernet port on the SmartServer is auto-switching; therefore, you can use a straight-through or crossover Ethernet cable. For more information on this step, see *Connecting the Ethernet Port* in this chapter.
4. Optionally, you can connect the console port on the SmartServer. Connect one end of a RS-232 null modem cable to the console port on the SmartServer, and then connect the other end to one of the COM ports on your computer. You can then use a terminal emulation program such as PuTTY on your computer to access the SmartServer's console application and configure the SmartServer. The default communication properties for the SmartServer are **9600-8-None-1-None**. For more information on this step, see *Connecting the Console Port* in this chapter.
5. If you are using a SmartServer that has a built-in analog modem, connect the telephone port on the SmartServer. For more information on this step, see *Connecting the Telephone Line Port* in this chapter.
6. Apply power to the SmartServer. For more information on this step, see *Applying Power to the SmartServer* in this chapter.
7. Connect your SmartServer to an IP network.
  - a. If your computer is not on the subnet as your SmartServer, open a command prompt with administrator privileges and type the following command:

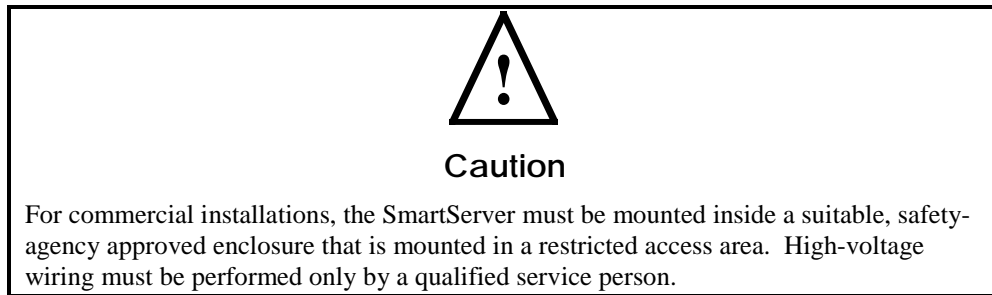
```
route add 192.168.1.0 mask 255.255.255.0 %computername%
```

To open a command prompt with administrator privileges, click **Start**, type **cmd** in the search box, right-click the **cmd.exe**, and then select **Run as Administrator**. If you receive a "The parameter is incorrect" error after entering the route command, replace %computername% with the IP address of your computer.

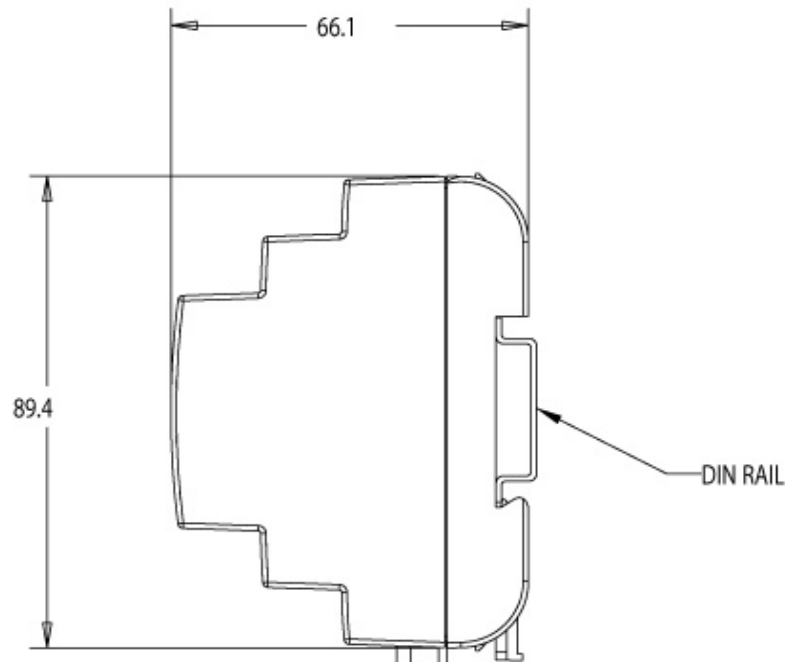
- b. Open a Web browser and enter the following URL: 192.168.1.222. Your SmartServer home page opens.
- c. Click the **Login** button. A login dialog appears. Enter `admin` for both the **User Name** and the **Password** and then click **OK**. The **SmartServer 2.2 – Welcome** Web page opens.
- d. You can configure your SmartServer and begin using its embedded applications as described in the *SmartServer 2.2 User's Guide*.

---

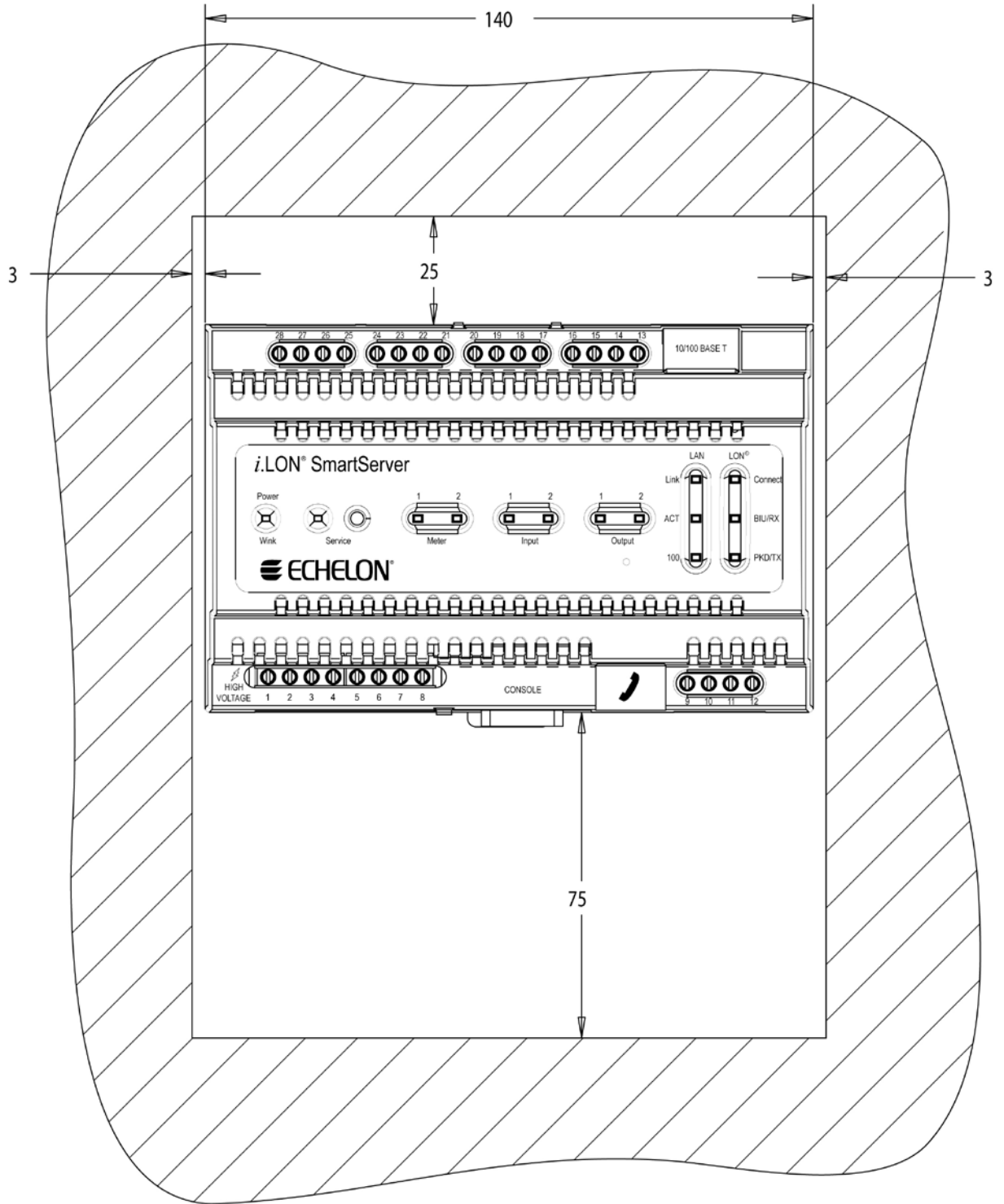
## Mounting the SmartServer



The SmartServer mounts to a 35mm x 7.5mm or 35mm x 15mm DIN rail. The rear of the SmartServer enclosure contains a spring-loaded DIN rail lock, which securely grabs the DIN rail on which the enclosure is mounted. To release the enclosure from the DIN rail, insert a flathead screwdriver into the DIN rail locking tab and gently pull the tab downwards and away from the enclosure. The following figure displays the location of the DIN rail-locking tab. All units are in millimeters.



The following figure displays the dimensions of the SmartServer and the space required for the various connections. All units are in millimeters.





## Wiring the SmartServer Connections

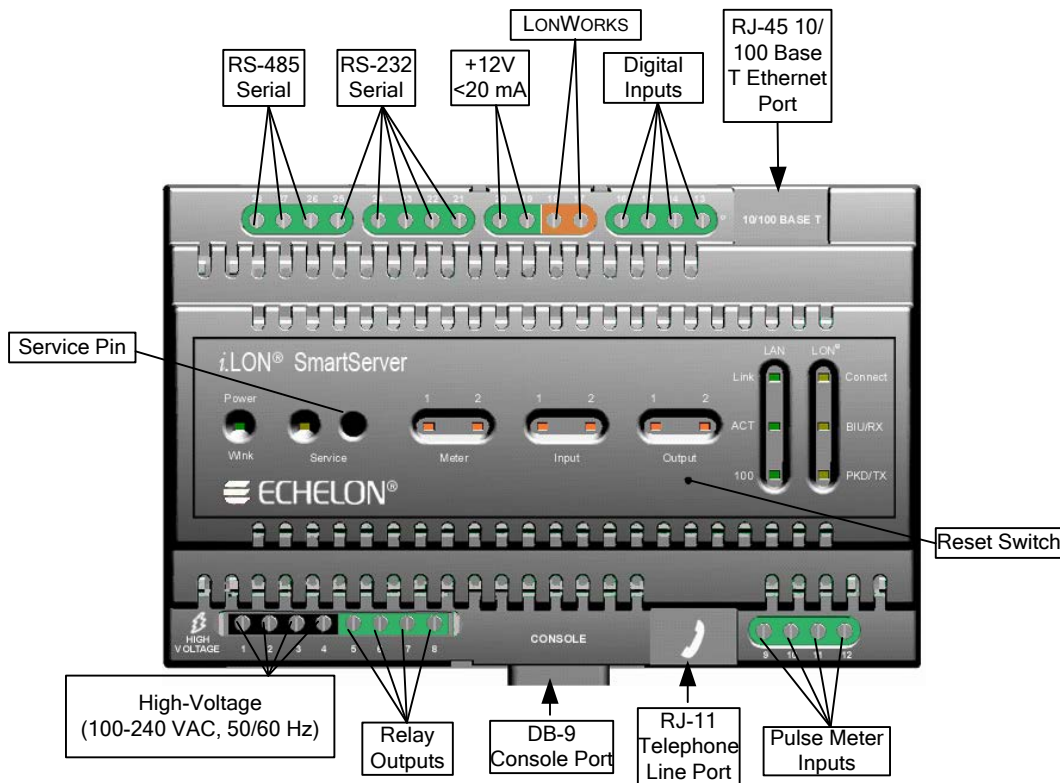
After you mount the SmartServer, you can wire its connections. The SmartServer has two rows of screw terminals, an RJ-45 10/100 Base T Ethernet port, a DB-9 console port, and an RJ-11 telephone line (SmartServer models 72102).

You must connect the power screw terminals for all SmartServer models as described in the *Power Supply* section. If you are assembling an FT-10 model of the SmartServer, you must connect a LONWORKS TP/FT-10 channel to the LON A<sup>®</sup> and LON B<sup>®</sup> screw terminals (17 and 18). Optionally, you can connect the other screw terminals on the SmartServer (the RS-232/RS-485 serial ports, digital outputs, pulse meter inputs, digital inputs, and the +12V <20mA output).

After you connect the screw terminals, if you are not using an internal analog modem use an Ethernet cable to connect the Ethernet port on the SmartServer to an IP network. This enables you to configure the SmartServer using its built-in Web pages and begin using its embedded applications. Optionally, you can connect the console port on the SmartServer so that you can use the SmartServer console application to configure the SmartServer.

If you are using an internal modem, wire the RJ-11 telephone port on the SmartServer to an analog phone line.

The following figure illustrates the location of all the SmartServer connections.



---

## Connecting the Screw Terminals

The SmartServer has two rows of screw terminals located on the top and bottom edges of the enclosure. The screw terminals on the bottom row are numbered 1 to 12 (from left to right), and the screw terminals on the top row are numbered 13 to 28 (from right to left). There is no polarity for DC connections.

The screw terminals accept 0.22mm – 3.3mm (22 – 12AWG) gauge solid wire. The optimum tightening torque for the screw terminals is 0.75 Newton-meters (6 lbs. in.) maximum. The ideal flathead screwdriver tip width for use with the screw terminal connectors is 3mm (0.12”). Strip wires to a length of 7mm (0.28”). Optionally, you can use a soldering iron to tin the stripped lengths of any stranded wires to prevent fraying and inadvertent contact with adjacent terminals.

The screw terminals are divided into the following groups, which are each detailed in the subsequent sections.

- Power supply
- LONWORKS network
- RS-232/RS-485 serial ports
- Digital outputs
- Pulse meter inputs
- Digital inputs
- +12V<20mA output

### Power Supply

The SmartServer is powered by a 100/240V AC, -6% to +10%, 50/60Hz VAC power mains connection.



#### Safety Warning

When connecting a unit, always connect earth ground first, then Neutral, and then Line. This minimizes the risk of shock or damage should power inadvertently be present on Line.



#### Safety Warning

**Fuse F350** in the SmartServer uses a Wickmann rated 250 VAC, .5 A, SLO-BLO fuse, and it is not field replaceable.



### Safety Warning

The SmartServer uses a Poly-carbonmonoflouride Lithium Coin battery. **THERE IS A RISK OF EXPLOSION IF THE BATTERY IS REPLACED BY AN INCORRECT TYPE. DISPOSE OF UNUSED BATTERIES ACCORDING TO THE INSTRUCTIONS.**



### Safety Warning

The SmartServer is not equipped with a power disconnect device. When the device is installed and mounted, the installer must provide a means to safely remove power, such as a power switch or a circuit breaker.



### Safety Warning

The high-voltage terminal block has a plastic cover protecting the screw terminals used to connect the high-voltage inputs. This cover **MUST** be replaced after the power wires are connected and before the power is activated.

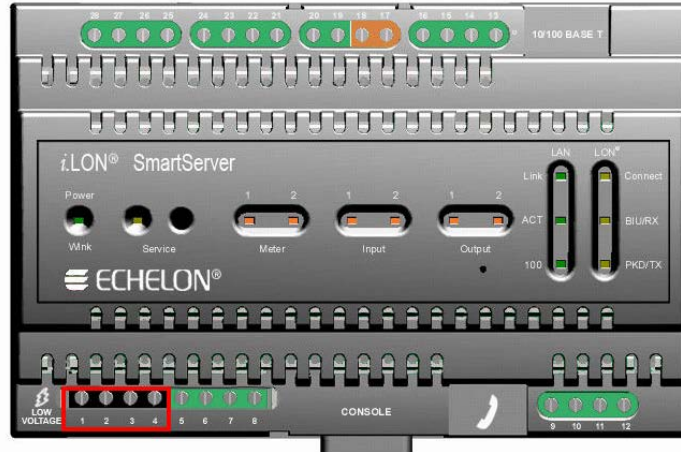
The SmartServer is powered by a 100/240VAC, -6% to +10%, 50/60Hz VAC power mains connection. This connection is also used for LONWORKS network communication for the PL-20 with internal coupling model of the SmartServer. The SmartServer contains an auto-ranging, auto-setting mains power supply. You do not need to adjust any jumpers or other settings when connecting the SmartServer to the AC power mains.

The high-voltage connection is implemented on screw terminals 1 (Earth Ground), 3 (Neutral), and 4 (Line). Screw terminal 2 (NC) is not used, and must remain unconnected. A solid earth ground via the terminal 1 connection is required for proper ESD and EMC performance of the SmartServer device. Connect the screw terminals for the high-voltage models of the SmartServer in the following order:

1. Insert the earth ground connection.
2. Insert the neutral connection.
3. Insert the line connection.

**DO NOT apply power to the SmartServer until you have checked all wiring connections.**

The following figure illustrates the location of the high-voltage AC power mains screw terminals on the SmartServer.



The following table lists the enclosure marking for each of the high-voltage AC power mains screw terminals and their connection type.

Screw Terminal	Enclosure Marking	Mains Connection
1	E	Earth ground
2	NC	Do not connect
3	N	Neutral
4	L	Line



### Safety and High Voltage Warning

Ensure that the AC power mains are turned OFF before removing the cover, handling the mains wiring, or connecting any power mains cabling to the SmartServer device.

DO NOT under any circumstances operate the SmartServer device to mains voltages outside of the range 100/240VAC, -6% to +10%, 50/60Hz  $\pm$ 2.5Hz.

### Alerta de Seguridad y Alto Voltaje

Asegúrese que la red eléctrica de corriente alterna AC este DESENERGIZADA antes de: quitar la cubierta, manipular los cables de alimentación o conectar cualquier cableado al dispositivo SmartServer.

Bajo NINGUNA circunstancia conecte el dispositivo iLON a redes eléctricas con voltajes fuera del rango 100/240VAC, -10% a +30%, 50/60Hz  $\pm$ 2.5Hz.

### Sécurité et Avertissement Haute Tension

Assurez vous que l'interrupteur Marche Arrêt est dans la position Arrêt avant d'enlever le capot, manipuler les câbles d'alimentation, ou bien quand vous branchez un cordon secteur au SmartServer.

Il ne faut JAMAIS connecter le SmartServer à une tension d'alimentation hors de la plage 100/240VAC, -10% à +30%, 50/60Hz  $\pm$ 2.5Hz.



### **Sicherheitshinweis: Vorsicht Netzspannung!**

Stellen Sie sicher, daß die Netzspannung ausgeschaltet wurde (Schalterstellung OFF), ehe der Gehäusedeckel entfernt, an der Spannungsversorgung hantiert oder irgendeine Netzverbindung mit dem SmartServer Gerät hergestellt wird.

AUF KEINEN FALL darf das SmartServer mit Netzspannungen ausserhalb des Bereichs 100/240V, -10% bis +30%, 50/60Hz±2.5Hz betrieben werden.

### **Avvertenza sulla Sicurezza e sull'Alta Tensione**

Assicurarsi che la rete elettrica sia SPENTA prima di rimuovere il coperchio, maneggiare i cavi di alimentazione, o connettere qualsiasi cavo al SmartServer.

NON connettere mai per nessun motivo il SmartServer a tensioni al di fuori del range 100/240VAC, da -10% a +30%, 50/60Hz +2.5Hz.

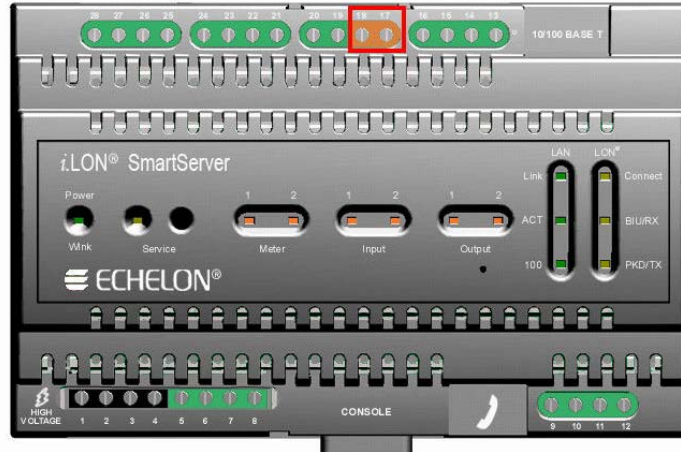
### *LONWORKS Network*

The FT models of the SmartServer contain one set of screw terminals (17-18) that you can use to connect the SmartServer to a TP/FT-10 LONWORKS channel. The TP/FT-10 interface is polarity-insensitive and requires connecting the twisted pair to terminals 17-18.

You can also use screw terminals 17-18 on the PL-20 model of the SmartServer with the external coupling circuit to connect the SmartServer a single-phase or three-phase external coupler. This enables you to operate the SmartServer on single-phase and three-phase PL-20 LONWORKS networks. In this case, the twisted pair interface is polarity-sensitive; therefore, you can connect terminal 18 on the SmartServer (PLT+) to the positive terminal of the external coupler and terminal 17 on the SmartServer (PLT-) to the ground terminal (low side) of the external coupler.

The length of the twisted pair connected to the FT models of the SmartServer must not exceed 1m in order to provide flexibility in mounting the device in an enclosure. In addition, the SmartServer must be installed at least 30cm away from electrically noisy devices.

The following figure illustrates the location of the LONWORKS network screw terminals on the SmartServer.



The following table lists the enclosure markings for the LONWORKS network screw terminals on the SmartServer and their connection type.

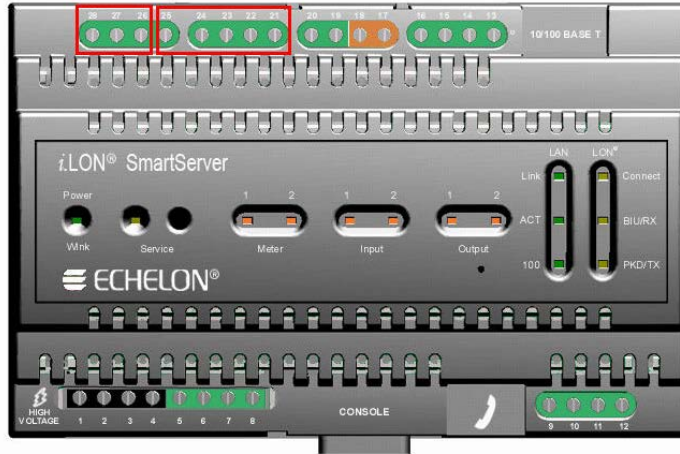
Screw Terminal	Enclosure Marking	LONWORKS Network Connection
17	LON <sup>®</sup> B/PLT +	TP/FT-10 twisted pair
18	LON <sup>®</sup> A/PLT -	TP/FT-10 twisted pair

### RS-232/RS-485 Serial Ports

The SmartServer includes one RS-232 serial port and one isolated RS-485 multi-drop bus port. The RS-232 serial connection is implemented on screw terminals 21–25. These connections are polarity-sensitive. You can connect an external GSM modem, M-Bus devices, Modbus devices, or legacy/nonnative devices (requires a custom driver) to the RS-232 serial port. The RS-232 serial port supports only one device at a time.

The RS-485 bus connection is implemented on screw terminals 25–28. These connections are polarity-sensitive: terminal 28 is marked positive (RT+), and terminal 27 is marked negative (RT-). Do not reverse the polarity of the RS-485 port will because it will cause improper bus operation. The RS-485 port picks up ground at terminal 25. The RS-485 connection is not susceptible to common mode ground differential voltage swings, but you must use a suitable shielded cable when connecting devices in noisy environments. You can connect Modbus devices or legacy/nonnative devices (requires a custom driver) to the RS-485 port.

The following figure illustrates the location of the RS-232 and RS-485 screw terminals on the SmartServer.



The following table lists the enclosure markings for the RS-232 and RS-485 port screw terminals and on the SmartServer and their connection types.

Screw Terminal	Enclosure Marking	EIA-232/RS-485 Connection
21	RTS	RS-232 RTS
22	CTS	RS-232 CTS
23	RXD	RS-232 Receive
24	TXD	RS-232 Transmit
25	GND	RS-232 ground/RS-485 ground (as needed)
26	Shield GND	RS-485 cable shield
27	RT-	RS-485 (-)
28	RT+	RS-485 (+)

### Connecting an External GSM Modem to the RS-232 Serial Port

You can connect an external GSM modem to your SmartServer using the RS-232 serial port. To do this, order a special cable from EBV Elektronik (part number ECH-RS232/500). For more information, go to the EBV Web site at [www.ebv.com](http://www.ebv.com). The serial connector from the modem must be attached to the RS-232 ports on the SmartServer as specified in the following table.

External GSM Modem DB 9 Pin	Screw Terminal	Enclosure Marking
1	NC	N/A
2	23	RXD
3	24	TXD
4	NC	N/A
5	25	GND
6	NC	N/A
7	21	RTS
8	22	CTS
9	NC	N/A

**Notes:** If your external GSM modem requires a carrier detect line, you can attach one end of a 22-gauge (AWG) stranded wire to the carrier detect port on your modem, and then connect the other end of the wire to pin 1 of the RS-232 console port on the SmartServer.

If you are connecting an external GSM modem that uses a wireless antenna to your SmartServer, you must install the modem at least 1m away from the SmartServer.

If you are attaching an external GSM modem with a separate antenna to your SmartServer, install the antenna at least 1m away from the SmartServer and its associated wiring. In addition, install the antennas of high-powered modems (1 Watt or greater) outside the housing of any enclosure.

## Connecting a Multi-Tech MTCBA-G-F4 Modem to the RS-232 Serial Port

You can connect a Multi-Tech MultiModem® GPRS external wireless modem (model number MTCBA-G-F4) to your SmartServer. For more information on this modem, go to the Multi-Tech® Systems site at [www.multitech.com](http://www.multitech.com). To view the user's guide for the MTCBA-G-F4 modem, go to [www.multitech.com/DOCUMENTS/Collateral/manuals/S000443A.pdf](http://www.multitech.com/DOCUMENTS/Collateral/manuals/S000443A.pdf).

The serial connector from the modem must be attached to the RS-232 ports on the SmartServer as specified in the following table.

MTCBA-G-F4 Modem DB 15 Pin	Screw Terminal	Enclosure Marking
2	24	TXD
6	23	RXD
8, 12	21	RTS
9	25	GND
11	22	CTS

**Note:** The MTCBA-G-F4 modem uses a wireless antenna; therefore, you must install the modem at least 1m away from the SmartServer.

## Connecting M-Bus Devices to the RS-232 Serial Port

You can connect M-Bus devices to your SmartServer using the RS-232 serial port. To do this, you must connect a level converter between the RS-232 port of the SmartServer and the M-Bus devices. This converts the M-Bus signals to RS-232 signals and supplies the M-Bus devices with power (similar to the LPT-11 Link Power Transceiver).

The class of level converter required depends on the number of M-Bus devices you are connecting to the SmartServer. You can order level converters that can drive anywhere from 3 to 250 devices. For more information and examples of these level converters, go to the following Web sites:

- [www.relay.de](http://www.relay.de) (Level Converter PW3, PW20, PW60)
- [www.stv-automation.de](http://www.stv-automation.de) (BIALON MPW-20 M-Bus)
- [www.hydrometer.de](http://www.hydrometer.de) (HYDRO-CENTER 25, 60, 250)

For more information on the M-Bus, refer to the M-Bus User Group at [www.m-bus.com](http://www.m-bus.com).

## Connecting Modbus Devices to the RS-232 and RS-485 Serial Ports

You can connect Modbus devices to the SmartServer using the RS-232 and RS-485 serial ports. For more information on the Modbus protocol, go to [www.modbus.org](http://www.modbus.org).

## Connecting Legacy or Non native Devices to the RS-232 and RS-485 Serial Ports

You can connect legacy systems or non native networks such as BACnet (requires a custom driver, sold separately) and CAN (requires an external interface, sold separately) to the SmartServer's RS-232



and RS-485 serial ports, and use a custom driver for communication between the SmartServer and the devices over the RS-232 or RS-485 serial interfaces.

You can create custom drivers for your SmartServer with Echelon SmartServer Programming Tools. A demo version of the Echelon SmartServer Programming Tools is available on the SmartServer 2.2 DVD. To build custom drivers and deploy them on your SmartServer, order the Echelon SmartServer Programming Tools DVD. To order this DVD, contact your Echelon sales representative.

In addition, a programmability license must be installed on the SmartServer to deploy custom drivers on it. If a programmability license is not pre-installed on your SmartServer, you can order one (Echelon model number 72161) from the Echelon or your Echelon product distributor.

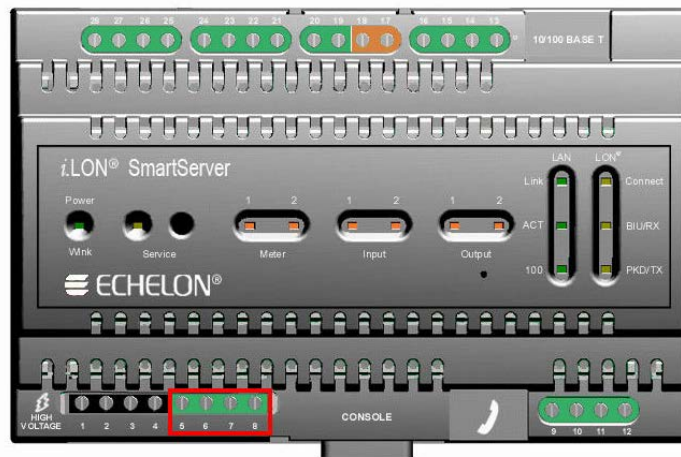
For more information on creating custom drivers and deploying them on your SmartServer, see the *SmartServer 2.2 Programming Tools User's Guide*.

### Digital Outputs

The SmartServer includes two high-voltage, high-current, single pole single throw (SPST) relay outputs rated to switch resistive loads at 230VAC @ 10A or 24VDC @ 10A. For switching inductive loads, see below. The relay connections are implemented on screw terminals 5-8: Output 1 is connected to terminals 5-6; Output 2 is connected to terminals 7-8. The SPST relay contacts are polarity-insensitive, and they can be used to switch both AC and DC loads. The relays require a minimum load of 5V at 100mA in order to avoid low-voltage contact pitting, and therefore require a parallel load resistor to switch TTL level signals.

Each of the relay outputs is controlled by a Digital Output application on the SmartServer. The relays can be triggered by the Digital Output applications or by the receipt of remote messages. See Chapter 9 of the *SmartServer 2.2 User's Guide* for configuring the SmartServer to use the digital outputs to which it is connected.

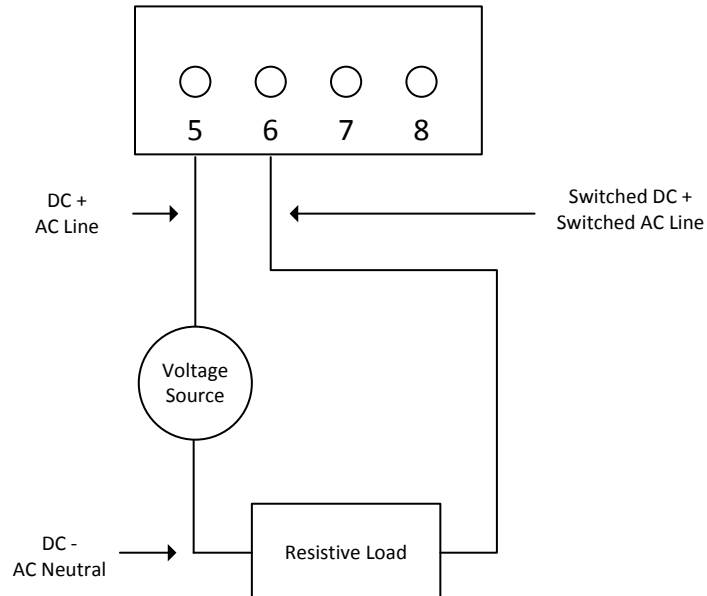
The following figure illustrates the location of the relay output screw terminals on the SmartServer.



The following table lists the enclosure markings for the relay output screw terminals on the SmartServer and their connection type.

Screw Terminal	Enclosure Marking	Relay Connection
5	Output 1	Relay output 1
6	Output 1	Relay output 1
7	Output 2	Relay output 2
8	Output 2	Relay output 2

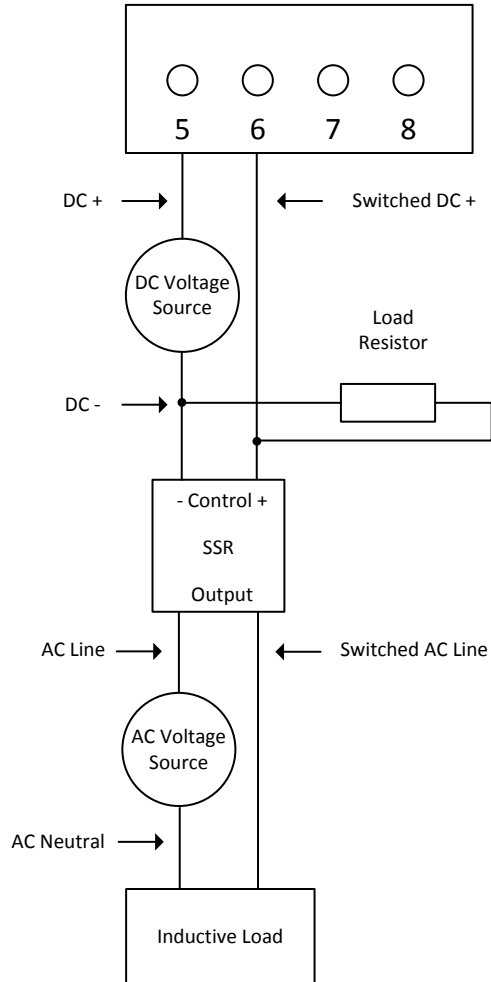
You can connect the dry contact relay outputs on the SmartServer to a voltage source and a load. When an ON value is asserted, the circuit will be closed and the voltage source will drive the load. The following figure demonstrates this configuration.



Inductive loads such as motors, relays, or contactors present a special case for the SmartServer relay contacts. A high voltage known as a back or counter EMF is created across an inductive load when interrupting the current flow through it due to the change in electromagnetic field. This voltage can often be in the range of several kV. In the case of inductive DC loads such as relays, use a protection diode across the load to eliminate the back EMF. In the case of inductive AC loads, use series resistor, capacitor (RC) snubbers across either the load or contacts to limit the rate of change of voltage and peak voltage apparent across the contacts. You can also use metal oxide varistors in parallel with RC snubbers to further limit the peak voltage. The peak voltage across the SmartServer relay contacts must be kept within the 440VAC switching limit.

In addition, switching AC inductive loads can also create further issues due to the radiated differential and common mode noise created, even when snubbers are used. This noise can potentially cause damage and interference to adjacent electronics, such as modems. To avoid this effect, use a solid state relay (SSR) to switch the load where the control voltage for the SSR is supplied through the SmartServer relay. An SSR still requires a load or contact snubber and overvoltage protection; Crydom (<http://www.crydom.com>) can supply SSRs with these features integrated into a single package. SSR control currents tend to be quite small and if necessary to keep within the minimum switching current of the relay contacts, a parallel resistive load must be used if the control load for the SmartServer output is less than 5V at 100mA .

The following figure demonstrates this configuration.

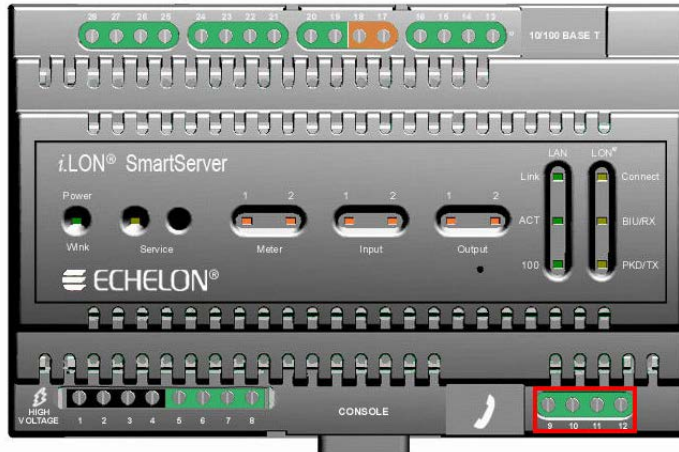


### Pulse Meter Inputs

The SmartServer includes two impulse meter inputs that comply with the DIN 43 864 impulse standard (open terminal voltage <12VDC, maximum current  $\leq 27\text{mA}$ ). The pulse meter input connections are implemented on screw terminals 9–12: Meter 2 is connected to terminals 9-10; Meter 1 is connected to terminals 11-12. These connections are polarity-sensitive: terminals 9 and 11 are marked negative (-), and terminals 10 and 12 are marked positive (+). You cannot reverse the polarity of the pulse meter inputs because it will cause improper operation of the measurement circuits.

Each of the pulse meter inputs is controlled by a Pulse Counter application on the SmartServer. A pulse input meter registers a pulse when the circuit between its positive and negative connections is closed (the voltage is 0) for 30ms or longer. The circuit must be open for a minimum of 30ms between pulses. See Chapter 9 of the *SmartServer 2.2 User's Guide* for configuring the SmartServer to use the pulse meter inputs to which it is connected.

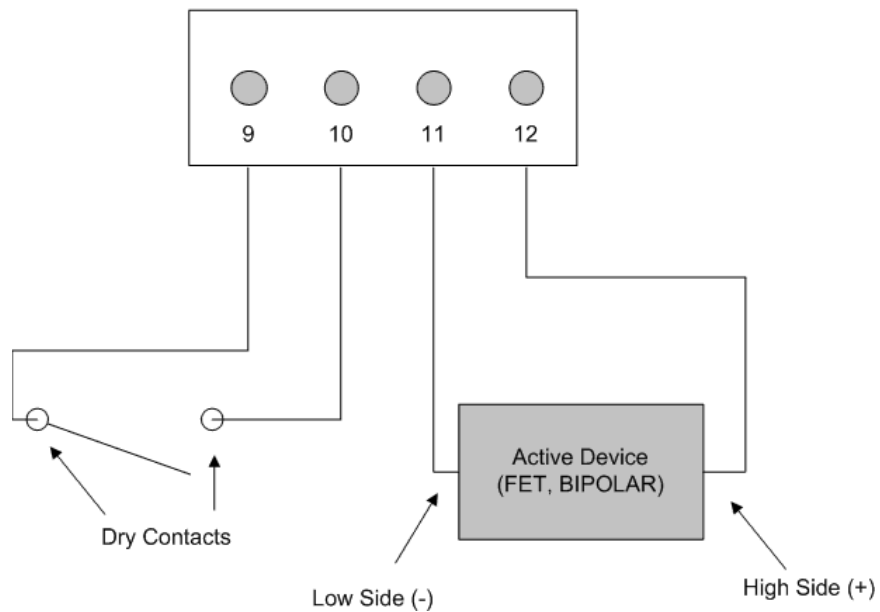
The following figure illustrates the location of the pulse meter input screw terminals on the SmartServer.



The following table lists the enclosure markings for the pulse meter input screw terminals on the SmartServer and their connection type.

Screw Terminal	Enclosure Marking	Pulse Meter Connection
9	Meter2-	- Signal from Meter 2
10	Meter 2+	+Signal from Meter 2
11	Meter 1-	- Signal from Meter 1
12	Meter 1+	+ Signal from Meter 1

You can connect the pulse meter inputs on the SmartServer to either a dry contact relay, or to an active device output that generates pulses by closing the circuit between the two terminals. The following figure demonstrates both of these configurations.

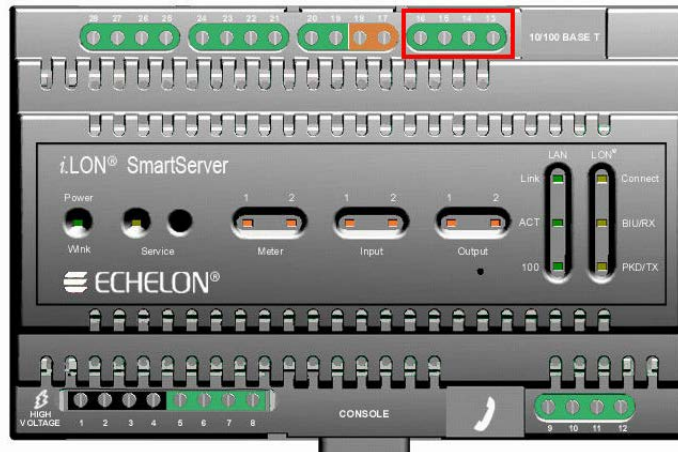


## Digital Inputs

The SmartServer has two optically isolated, polarity-sensitive digital inputs that you can use to monitor switch and sensor devices. The digital input connections are implemented on screw terminals 13–16: Input 2 is connected to terminals 13–14; Input 1 is connected to terminals 15–16. These connections are polarity-sensitive: terminals 14 and 16 are marked positive (+), and terminals 13 and 15 are marked negative (-). You cannot reverse the polarity of the digital inputs because it will cause improper operation of the monitoring circuits.

Each of the digital inputs is controlled by a Digital Input application on the SmartServer. See Chapter 9 of the *SmartServer 2.2 User's Guide* for configuring the SmartServer to use the digital inputs.

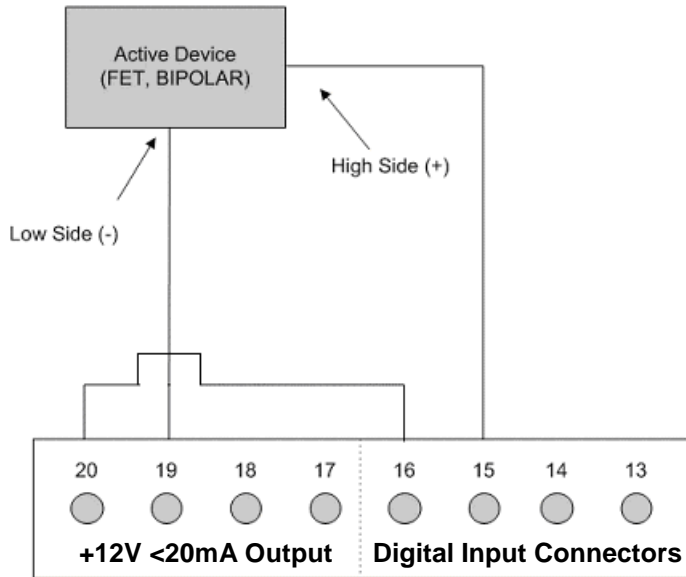
The following figure illustrates the location of the digital input screw terminals on the SmartServer.



The following table lists the enclosure markings for the digital input screw terminals on the SmartServer and their connection type.

Screw Terminal	Enclosure Marking	Digital Input Connection
13	Input 2-	- Signal from input 2
14	Input 2+	+ Signal from input 2
15	Input 1-	- Signal from input 1
16	Input 1+	+ Signal from input 1

You can connect the digital inputs on the SmartServer to a set of dry contacts, or to an active device output. The +12V < 20mA screw terminals (19–20), which are described in the next section, can be used as a voltage source for the digital inputs. The following figure demonstrates this configuration. In this figure the connection between screw terminals 16 and 20 does not include screw terminal 19, as it is connected to the active device.

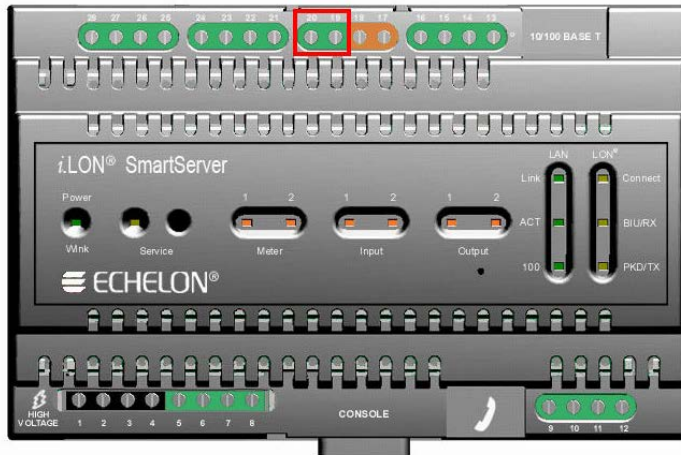


### *+12V < 20mA Output*

The SmartServer contains one +12VDC outlet that can provide up to 20mA. The +12V <20mA output is available on screw terminals 19 and 20. Screw terminal 20 is the +12V <20mA connection. Screw terminal 19 is the system ground.

You can connect the +12V <20mA output on the SmartServer to a set of dry contacts in order to power an active device that is connected to the digital input screw terminals.

The following figure illustrates the location of the 12V <20mA output screw terminals on the SmartServer.



The following table lists the enclosure markings for the 12V <20mA output screw terminals on the SmartServer and their connection type.

Screw Terminal	Enclosure Marking	+12V < 20mA Connection
19	GND	Ground
20	+12V < 20mA	+12 Volt output.

---

## Connecting the Ethernet Port

After you have connected all the required screw terminals on the SmartServer for your system, you can connect the RJ-45 10/100 BaseT Ethernet on the SmartServer to an Ethernet switch or hub that can communicate with your computer. This will connect the SmartServer to an IP network, and enable you to configure the SmartServer with its built-in Web pages.

You can connect the Ethernet port on the SmartServer to an IP network using a Category 5, 5e, or Category 6 Ethernet cable with computer RJ-45 male connectors on both ends. You connect one end of the Ethernet cable to the Ethernet port on the SmartServer, and then connect the other end to an Ethernet switch or hub. The SmartServer will then automatically adjust to the speed of the data port, illuminate the LAN Link LED indicator on the front panel of the SmartServer device indicating that a connection has been made, and illuminate the LAN 100 LED indicator if a 100BaseT network connection has been established.

The SmartServer automatically detects whether it is connected to an Ethernet switch or hub or directly to a computer; therefore, you can use a straight-through or crossover Ethernet cable.

---

## Connecting the Console Port

You can connect the console port on the SmartServer so that you configure the TCP/IP, security, time, and other properties of the SmartServer using its console application. Using the console application is an alternative to configuring the SmartServer with its built-in Web pages. For more information on using the SmartServer console application, see Appendix B of the *SmartServer 2.2 User's Guide*.

To connect the console port on the SmartServer, connect one end of a RS-232 null modem cable that has female connectors on both ends to the console port on the SmartServer, and then connect the other end to one of the COM ports on your computer. You can then use a terminal emulation program such as PuTTY on the computer to access the SmartServer console application. The default communication properties of the SmartServer are **9600- 8-None-1-None**.

The following figure displays the alignment of the connector pins on the SmartServer console port, and the subsequent table describes each of the connector pins.



DB-9 (DTE) Pin	Description
1	NC (No connect)
2	RxD (Receive Data)
3	TxD (Transmit Data)
4	NC (No connect)
5	GND (Ground)
6	NC (No connect)
7	NC (No connect)
8	NC (No connect)
9	NC (No connect)
DB-9 Shell	Earth Ground

**Note:** Pin 1 of the RS-232 console port can be attached to the carrier detect line of an external GSM modem.

---

## Connecting the Telephone Line Port



### Safety Warning

The SmartServer's telephone modem must only be used with telephone circuits equipped with proper lightning and transient protection circuitry. This minimizes the risk of shock or damage should lightning strike on or near a telephone circuit to which the SmartServer is connected.

For SmartServer models 72102, which contain a 56K V.90 analog modem, you can connect the RJ-11 telephone line port. This enables the SmartServer to make dial-out connections to TCP/IP networks. To connect the telephone line port on the SmartServer, you connect one end of a compatible two-wire POTS line with a suitable male RJ-11 connector to the telephone line port on the SmartServer and then connect the other end to a POTS line connection. The SmartServer analog modem is not compatible with ISDN circuits.



### Caution

To reduce the risk of fire, use only No. 26 AWG or larger telecommunication line cord

---

## Applying Power to the SmartServer

Once you have mounted the SmartServer, connected all the wiring, and closed the enclosure, you can apply power to the SmartServer. The LEDs on the SmartServer will flash for several minutes as the unit boots. Once the unit is powered and operational, the green Power/Wink LED will stay solid ON.



# Using the SmartServer LEDs and Buttons

This chapter describes how to use the LEDs and buttons on the SmartServer hardware.

## Using the SmartServer LEDs

The SmartServer has a number of LEDs that provide status information. The following figure and table display and describes these LEDs.

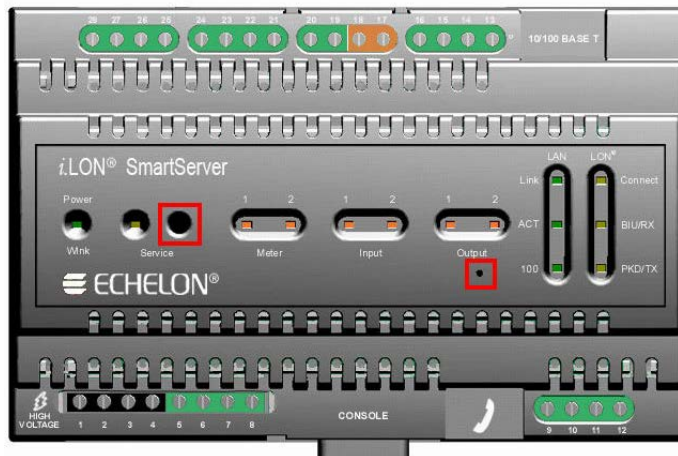


<b>Power/Wink</b>	Lights when the SmartServer has power. When the SmartServer receives a LONWORKS wink command, this LED blinks on and off 5 times. When the SmartServer's applications are not running, this LED blinks rapidly.
<b>Service</b>	Indicates the state of the LonTalk interface in the SmartServer. This LED is normally off. Blinking indicates the interface is in the unconfigured state. This LED will remain lit when the SmartServer is in Security Access Mode.
<b>Meter</b>	The SmartServer has two Meter LEDs, which are labeled 1 and 2. The Meter1 and Meter2 LEDs light when a pulse is received on the Meter1 and Meter2 inputs, respectively.
<b>Input</b>	The SmartServer has two Input LEDs, which are labeled 1 and 2. The Input 1 and Input 2 LEDs light when an ON value is received on the Digital Input 1 and Digital Input 2 inputs, respectively.  The LEDs respond appropriately when the <b>Invert</b> option is selected. For example, if an open circuit is interpreted as ON, then the LED will light when the circuit is open and vice versa. The digital input requires a minimum voltage differential of 3.4V.
<b>Output</b>	The SmartServer has two Output LEDs, which are labeled 1 and 2. The Output 1 and Output 2 LEDs light when power is applied to the Digital Output 1 and Digital Output 2 outputs, respectively. An Output LED lights when the relay contacts are closed, and it is off when the relay contacts are open.
<b>LAN Link</b>	Lights when an Ethernet connection has been established.
<b>LAN ACT</b>	Lights when there is activity on the Ethernet connection.
<b>LAN 100</b>	Lights when the Ethernet connection is operating at 100 Mbps. The power line models always operate at 10 Mbps.
<b>LON Connect</b>	Lights when the SmartServer is being used as a remote network interface (RNI) or an IP-852 router.

<b>LON BIU/RX</b>	<p>For PL models of the SmartServer, this LED is the Band In Use (BIU) indicator. It lights whenever there is a signal present on the band that is greater than 80dB<math>\mu</math>Vrms (between 131.5kHz and 133.5kHz). If this LED is on, the SmartServer cannot transmit LONWORKS data.</p> <p>For FT models of the SmartServer, this LED is the receive transmission (RX) indicator. It lights when the SmartServer receives LONWORKS data.</p>
<b>LON PKD/TX</b>	<p>For PL models of the SmartServer, this is the Packet Detect (PKD) indicator. It lights whenever the SmartServer receives a valid LonTalk packet that has a signal greater than 36dB<math>\mu</math>Vrms.</p> <p>For FT models of the SmartServer, this LED is the transmit data indicator. It lights when the SmartServer transmits LONWORKS data.</p>

## Using the SmartServer Service and Reset Buttons

The SmartServer has two recessed push buttons: a service button and a reset button. You can use the service button to commission the device or perform a security access reset. You can use the reset switch to reboot the SmartServer. The following figure and table display and describes these buttons.



<b>Service Button</b>	<p>Sends a LONWORKS service message to the LONWORKS channel on which the SmartServer is attached.</p> <p>You can press the service button to commission the SmartServer with a network management tool such as the LonMaker tool or the SmartServer.</p> <p>You can also press and hold the service button, and then press and hold the reset button for approximately 10 seconds to perform a security access reset.</p>
<b>Reset Button</b>	<p>Reboots the SmartServer. The reset button is located directly below the Output LEDs. You can press and release the reset button using a small wire, such as a straightened paper clip, to reboot the SmartServer.</p> <p><b>WARNING:</b> Only use this reboot method if you cannot use the SmartServer Web pages or the console application to reboot the SmartServer. Using the SmartServer Web pages or the console application enables the SmartServer to shutdown in an orderly manner before rebooting. Pressing the reset button can corrupt files being written to the SmartServer flash disk.</p> <ul style="list-style-type: none"> <li>To reboot your SmartServer using the SmartServer Web pages, right-click the local SmartServer, point to <b>Setup</b>, and then click <b>Reboot</b> on the</li> </ul>

	<p>shortcut menu. The <b>Setup – Reboot</b> dialog opens. Click <b>Reboot</b> to start the reboot.</p> <ul style="list-style-type: none"><li>• To reboot your SmartServer using the console application, enter the <b>reboot</b> command.</li></ul> <p>For more information on using the SmartServer Web pages and the console application to reboot the SmartServer, see the <i>SmartServer 2.2 User's Guide</i>.</p>
--	--

