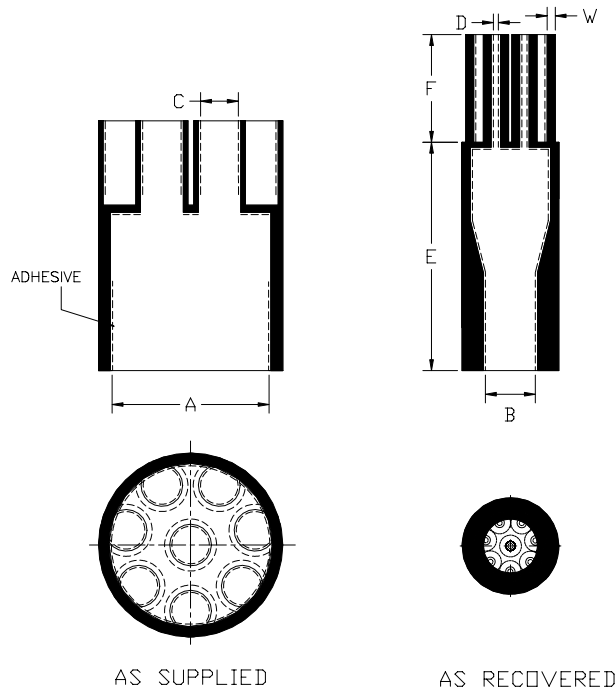


## Hi-Ratio Cable Breakout Boot Eight Entry



**Table of Dimensions, inch (mm):**

| PART NUMBER<br>(See Note*) | Body ID       |                | Leg ID        |                | Length Recovered Min |           | Rec'd. Wall Ref (W) |
|----------------------------|---------------|----------------|---------------|----------------|----------------------|-----------|---------------------|
|                            | Min. Exp. (A) | Max. Rec'd (B) | Min. Exp. (C) | Max. Rec'd (D) | (E), Body            | (F), Leg  |                     |
| 8S14-50FR                  | 2.09 (53)     | 0.75 (19)      | 0.62 (16)     | 0.13 (3)       | 2.65 (67)            | 1.40 (36) | 0.10 (2.5)          |
| 8S42-100FR                 | 2.50 (64)     | 0.75 (19)      | 0.87 (22)     | 0.13 (3)       | 2.65 (67)            | 1.40 (36) | 0.10 (2.5)          |

**Note\*:** Add "NA" to the end of Part Number if no adhesive is required

**Material:** -152, heat shrinkable, crosslinked flexible polyolefin per Mil-I-81765/1A Type II

**Factory applied sealant:** Hot melt adhesive provided on the shrinkable portion of the boot is standard.

|  |                        |  |                    |   |                         |                  |
|--|------------------------|--|--------------------|---|-------------------------|------------------|
| Tyco Electronics Corporation<br>300 Constitution Drive<br>Menlo Park, CA 94025 USA           |                        | <b>Raychem</b>   |                    |   |                         |                  |
| <b>Specification Control Drawing</b>   |                        | Title:<br><b>Hi-Ratio Cable Breakout Boot<br/>Eight Entry</b>  |                    |   |                         |                  |
|  |                        | Size<br>A  | Cage Code<br>06090 | Document No.<br><b>8SXXX-XXXFR-High-Ratio</b> |                         |                  |
| UNLESS OTHERWISE SPECIFIED DIMENSIONS ARE IN INCHES. METRIC DIMENSIONS ARE SHOWN IN BRACKETS |                        | Tyco Electronics reserves the right to amend this drawing at any time. Users should evaluate the suitability of the product for their application. |                    | Rev.:<br>A                                    | Rev. Date:<br>25-Mar-03 |                  |
| Drawn By:<br>A.. Ng  | Org. Date:<br>03/17/03 | Original file:<br>N/A  |                    | File :<br>r030160.doc                         | Scale:<br>None          | Sheet:<br>1 of 1 |

If this document is printed it becomes uncontrolled. Check for the latest revision.