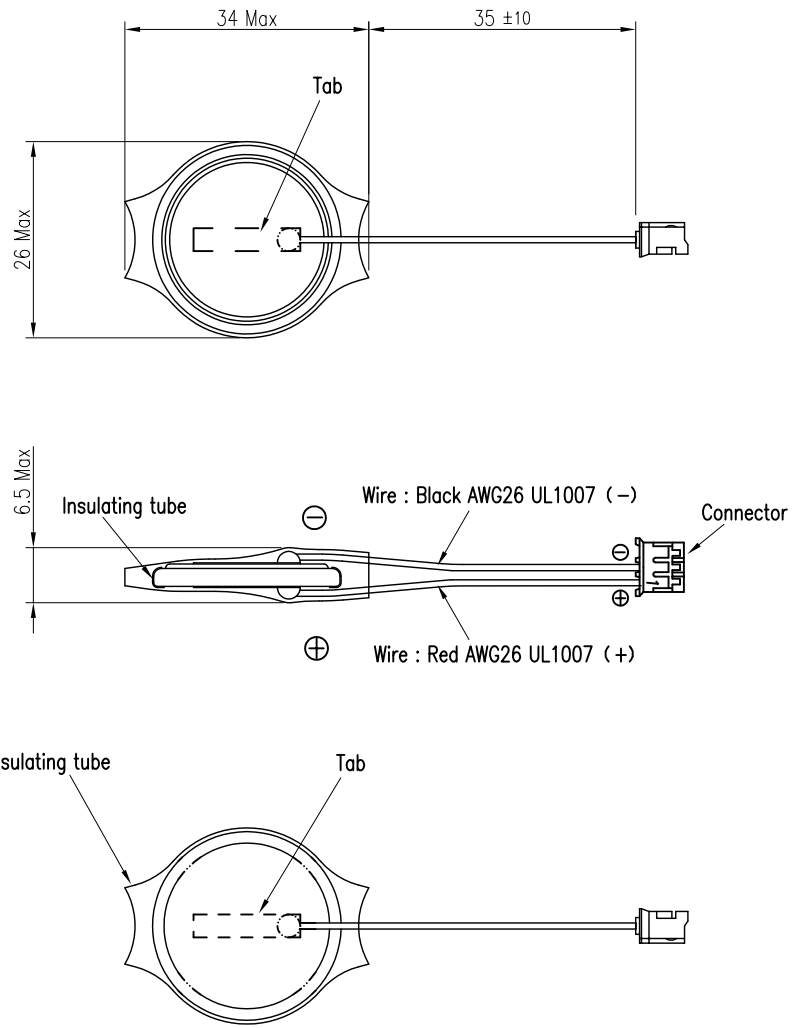


Date  
December 04. 2015

Drawing No  
N20151204-1

### Shape and Dimension



Do not Scale Drawing

Tab thickness : Ni/Cu 0.1mm  
Welding strength of tab : Min.9.8N  
(Vertical direction from welding plate)

Connector  
Maker : JST  
Housing : PHR-3  
Contact : SPH-002T-P0.5S  
No.1 : (+)  
No.2 : (-)

Unit : mm

Model	ML2430-CN	FDK CORPORATION FDK TOTTORI CO., LTD. Business Planning Department
-------	-----------	---