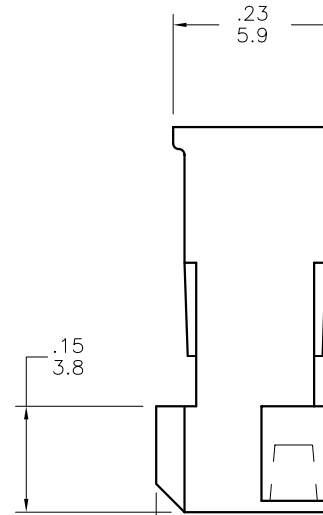
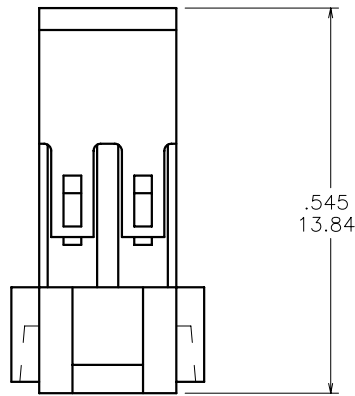


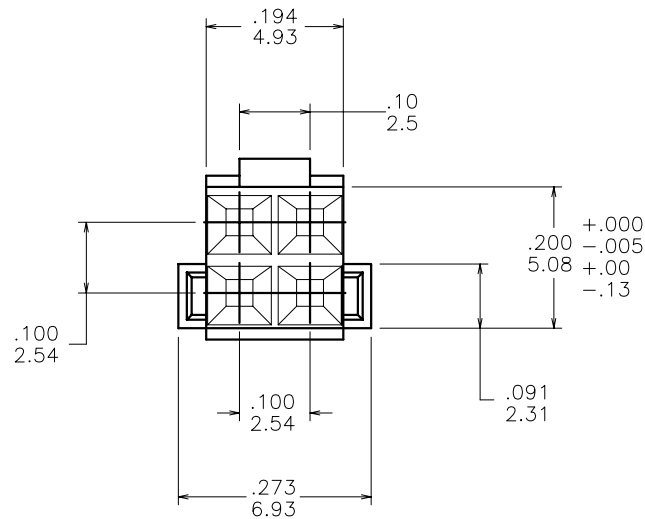
| PRODUCT NUMBER | COLOR |          |
|----------------|-------|----------|
| 78583-001      | BLACK | OBSOLETE |
| 78583-001LF    | BLACK |          |
| 78583-002      | BLUE  | OBSOLETE |



.04 X 45° CHAMFER  
1.0

NOTES:

- MOLDING MATERIAL: POLYETHYLENE ETHER, COLOR: BLACK, UL 94V-0; BLUE, UL94-V-1.
- TO BE MATED WITH PIN .225±.015/5.72±.38 LONG.
- THIS HOUSING IS INTENDED FOR USE WITH MINI PV™ TERMINAL WITH 22-36 AWG WIRE.
- FOR APPLICATION INFORMATION SEE TA-531. PRODUCT SPECIFICATION: BUS-12-067.
- PRODUCT MEETS EUROPEAN UNION DIRECTIVES AND OTHER COUNTRY REGULATIONS AS DESCRIBED IN GS-22-008.
- THIS PRODUCT IS NOT INTENDED TO BE EXPOSED TO MANUFACTURING SOLDER PROCESSES.



| mat'l. code |          | surface |            | tolerance                             |            | projection |  | product family                |  |
|-------------|----------|---------|------------|---------------------------------------|------------|------------|--|-------------------------------|--|
| SEE NOTE 1  |          | ✓       |            | tolerances unless otherwise specified |            | INCH/MM    |  | PV HOUSINGS                   |  |
| ltr         | ec'n no  | dr      | date       | angles                                | linear     | INCH/MM    |  | title                         |  |
| J           | v07-0534 | HTB     | 2007-08-22 |                                       |            |            |  | MINI LATCH HOUSING            |  |
| -           | -        | -       | -          |                                       |            |            |  | DOUBLE ROW POLARIZED 2X2      |  |
| D           | v91203   | BKB     | 1999-06-25 | 0°±2'                                 |            | scale 4:1  |  | dwg no                        |  |
| E           | v03-1362 | PJ      | 2004-02-19 | dr                                    | M. CLOUSER | 1994-05-09 |  | sheet 1 of 1 size             |  |
| F           | v05-0488 | HTB     | 2006-05-24 | engr                                  | T. HANNA   | 1994-05-09 |  | 78583                         |  |
| G           | v05-0717 | TAB     | 2005-07-29 | chr                                   | T. HANNA   | 1994-05-09 |  | A3                            |  |
| H           | v06-0447 | HTB     | 2006-05-16 | appd                                  | T. HANNA   | 1994-05-09 |  | type Product Customer Drawing |  |
| sheet       | revision | J       |            |                                       |            |            |  |                               |  |
| index       | sheet    | 1       |            |                                       |            |            |  |                               |  |



Copyright FCI