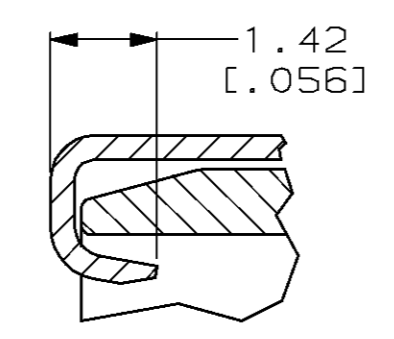
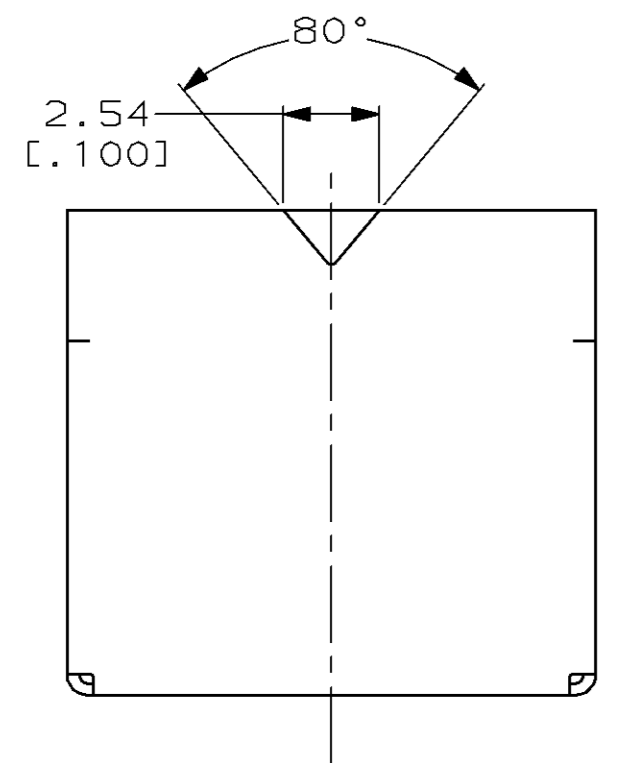
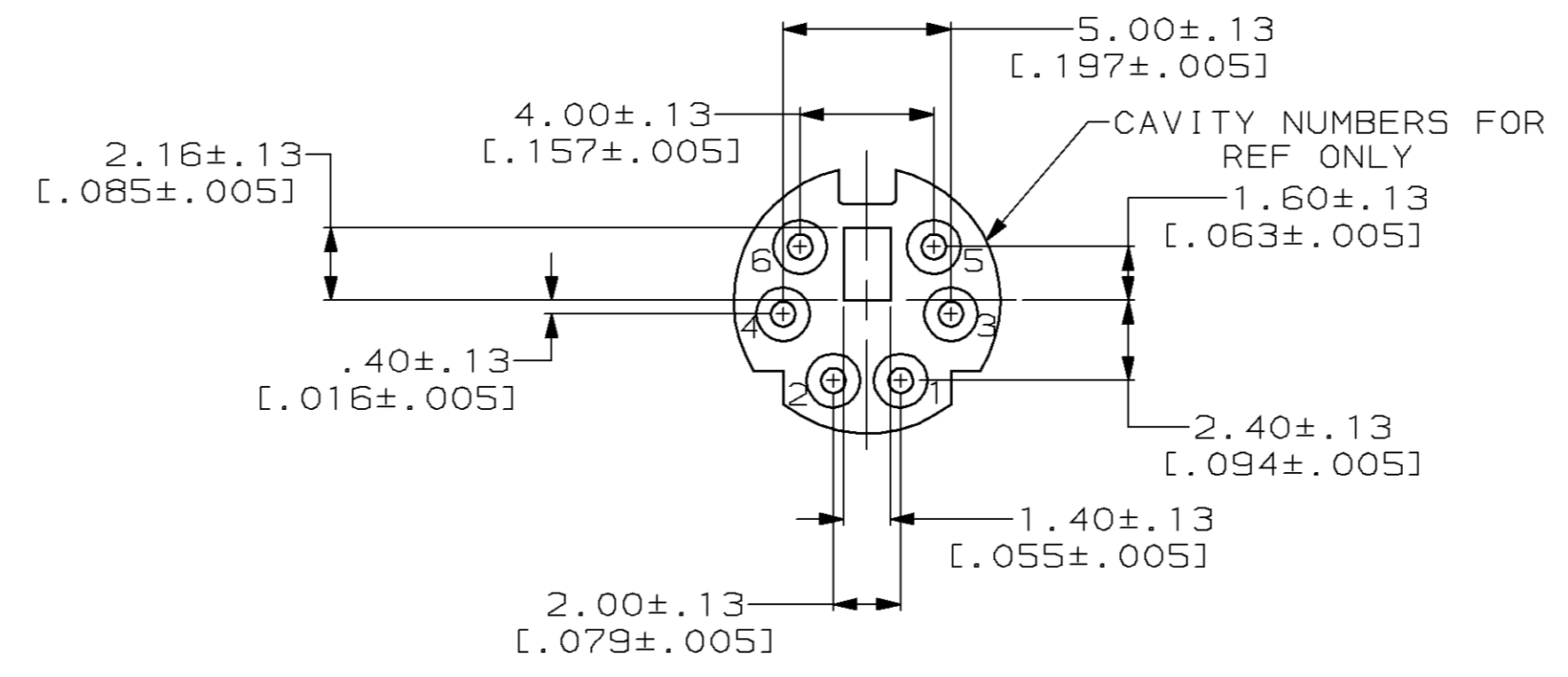


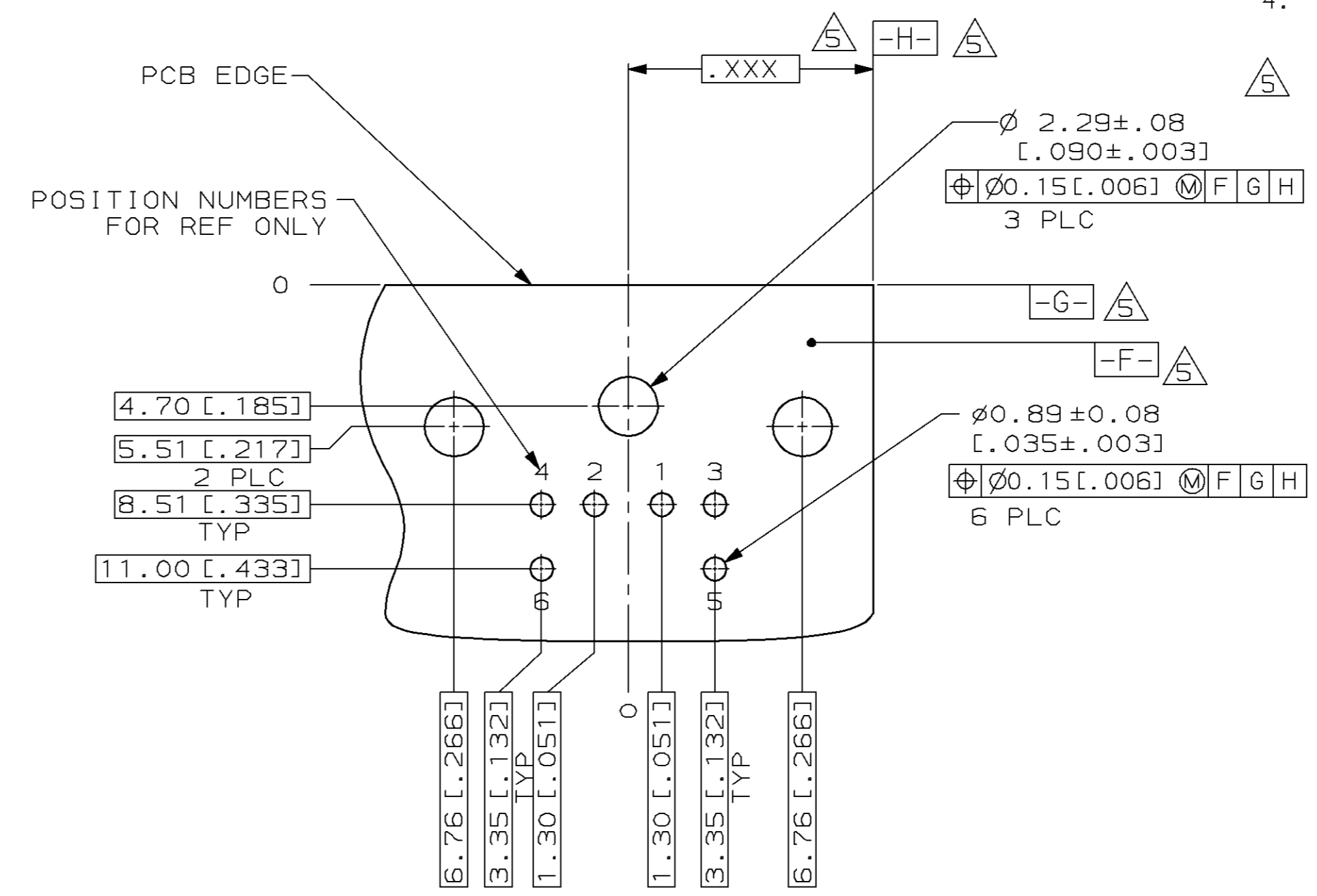
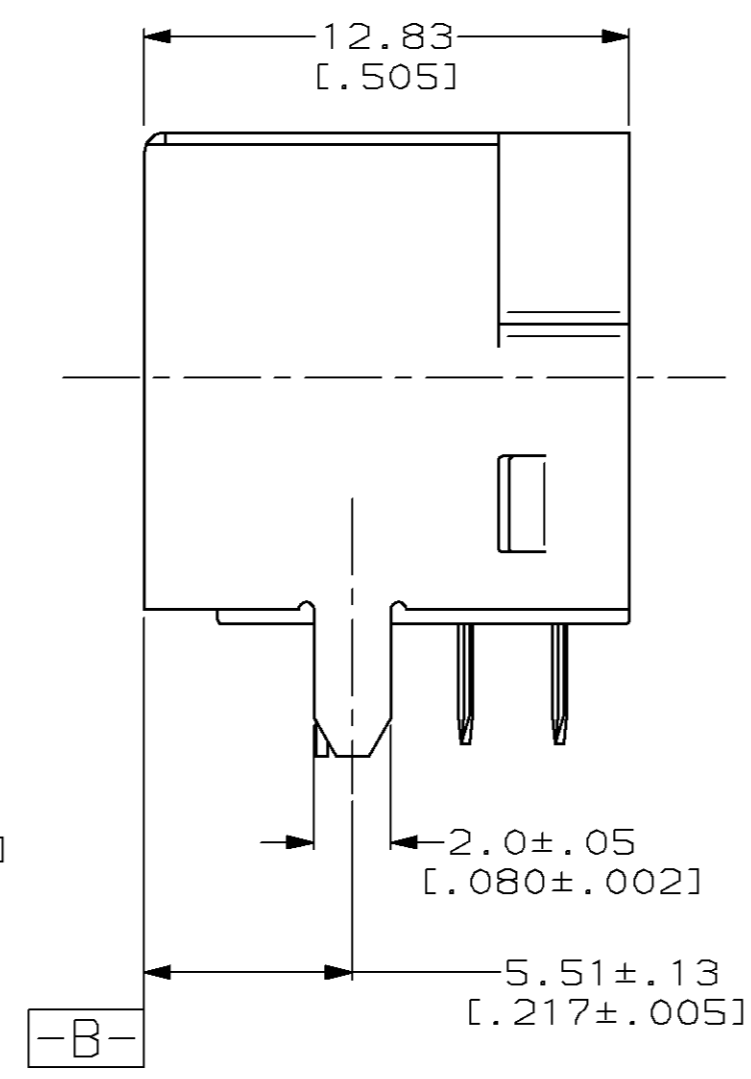
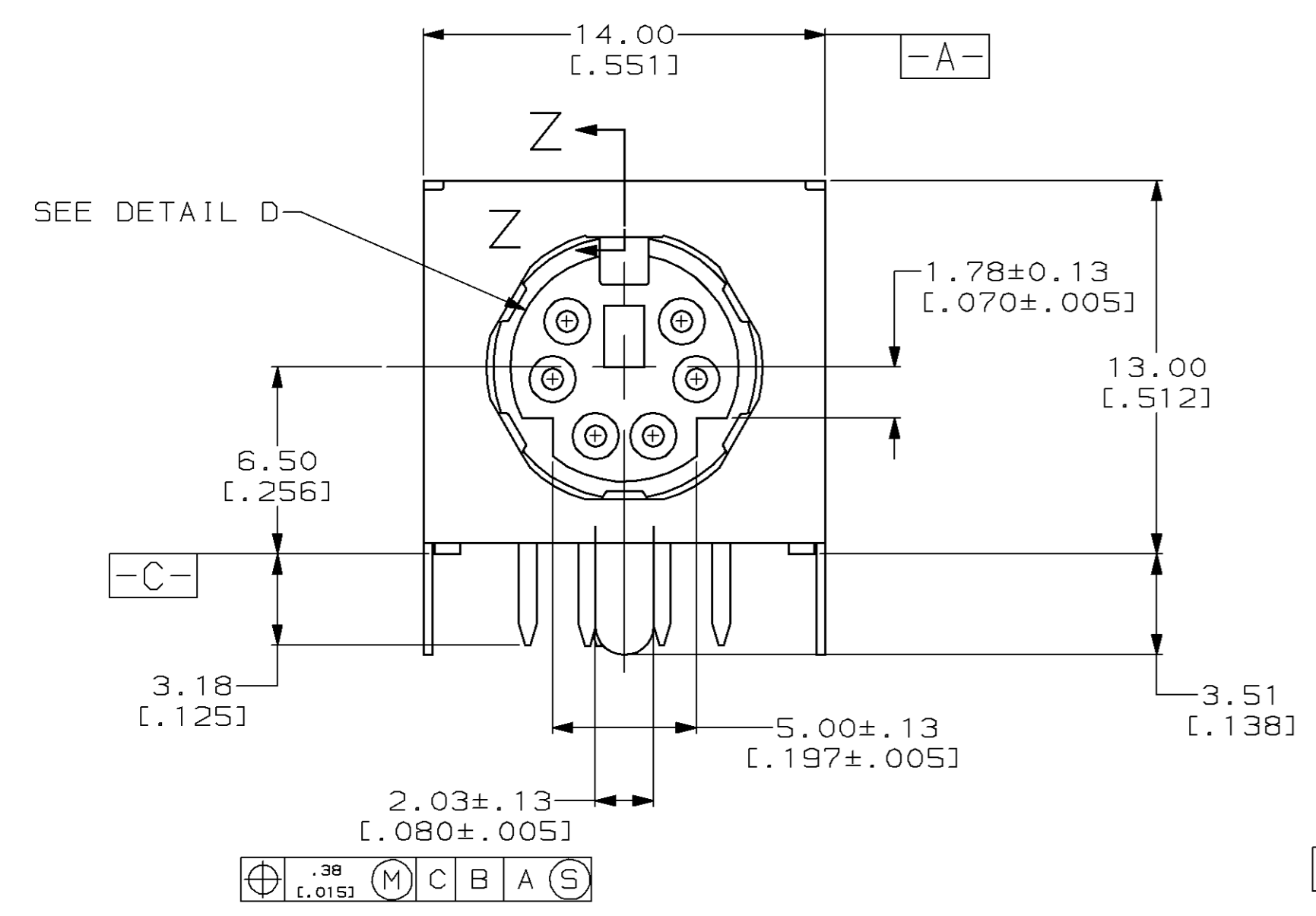
LOC	DIST	P	F	ZONE	LTR	REVISIONS	DATE	APPD
BD	26							
						O	RLSE NPR 2275 WAS 88-4837-19	01/05/89
						A	REVISED ECN-BD2959	05/09/89
						B	REVISED ECN BD3043	06/20/88
						C	REV PER EC 0020-824-95	12 OCT 95
						D	REV PER EC 0410-95-96	03 MAR 97
						E	REV PER EC 0410-281-97	28 SEP 97
						F	REV PER EC 0410-410-97	05 FEB 98



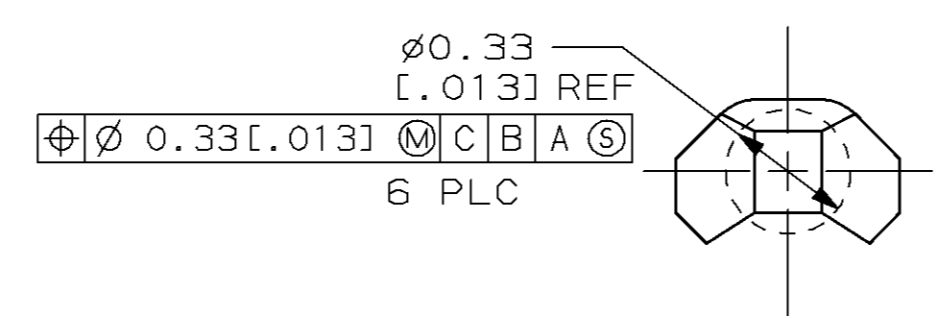
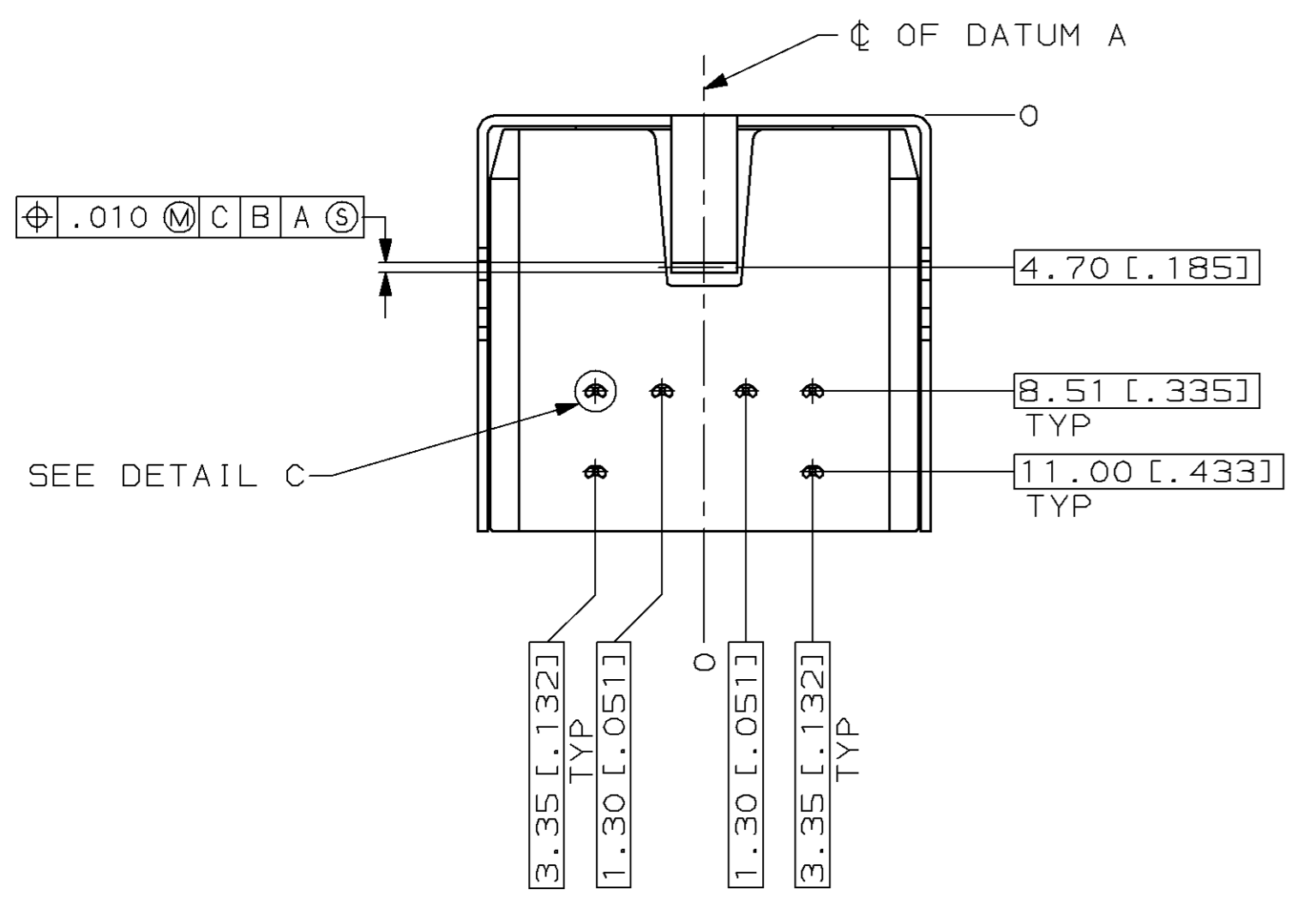
SECTION Z-Z  
SCALE 10:1



DETAIL D  
6 PIN FACE



6 PIN PCB LAYOUT  
BOTTOM VIEW



DETAIL C  
SCALE 50:1

- 1 RECEPTACLE CONTACTS: COPPER ALLOY.  
RECEPTACLE SHIELD: COPPER ALLOY.  
HOUSING: THERMOPLASTIC, BLACK, 94V-0 RATED.
- 2 PLATING:  
RECEPTACLE CONTACTS - GOLD PLATED .00076 MIN [.000030 MIN] THICK  
ON MATING END, TIN-LEAD PLATED .0030 MIN [.000120 MIN] THICK  
ON SOLDER TAIL ALL OVER .0013 MIN [.000050 MIN] THICK NICKEL.
- 3 PLATING:  
SHIELD: 1.50-4.00µm [.000059-.000158] THICK BRIGHT TIN.
- 4. RECEPTACLE ASSEMBLY MATES WITH 6 PIN 9.00±.10 [.354±.004]  
DIAMETER PLUG.
- 5 DATUMS AND BASIC DIMENSION SUPPLIED BY CUSTOMER.

DO NOT SCALE PRINT. UNLESS SPECIFIED DIMENSIONS IN mm [INCHES] TOLERANCES ON:		DR 1-24-89 P. COSMOS	749266-1 PART NO	
3 PLC DEC ± 0.381 [.015] ANGLES ± 0°30'	MATERIAL	CHK 1-24-89 C. OHL	AMP INCORPORATED Harrisburg, Pa. 17105	
FINISH	1	APPD 1-24-89 B.H. MOSSER	NAME RECEPTACLE ASSY, 6 POS, RIGHT ANGLE, MINIATURE CIRCULAR DIN	
2 3	2 3	APPD 1-24-89 E.C. MYERS	SIZE D	FSCM NO 00779
WEIGHT		PRODUCT SPEC 108-1225	DRAWING NO 749266	SHEET 1 OF 1
		APPLICATION SPEC	SCALE 5:1	