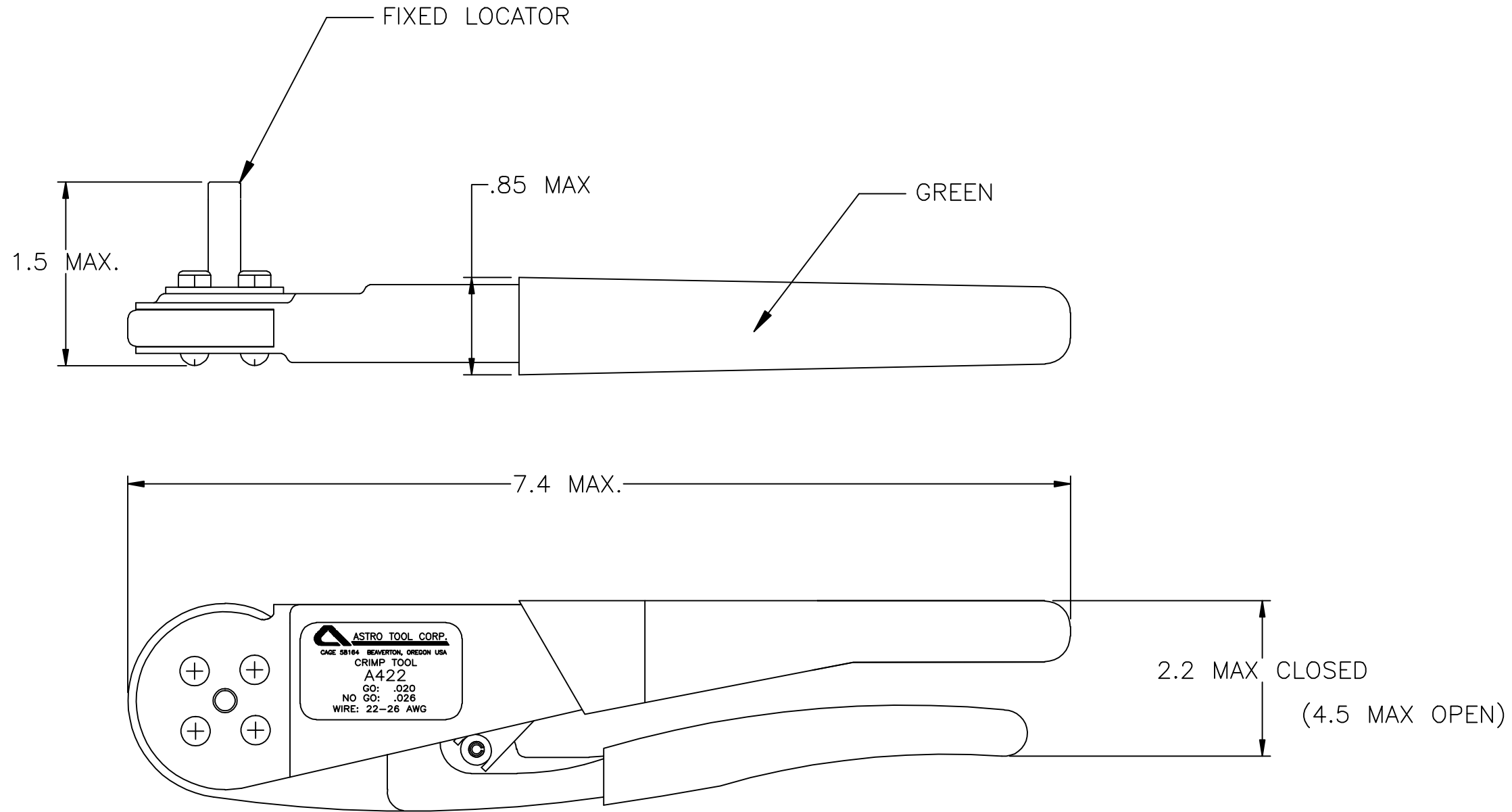



**UNCONTROLLED DOCUMENT
WILL NOT BE UPDATED**

A422-ENV



2. TOOL GAGING: .020 GO, .026 NO-GO
1. THIS IS AN AUTOCAD DRAWING DO NOT CHANGE MANUALLY.

NOTES:

THESE DRAWINGS, SPECIFICATIONS OR OTHER DATA ARE AND REMAIN THE PROPERTY OF ASTRO TOOL CORP. AND MUST BE RETURNED UPON REQUEST. THEY CONTAIN INFORMATION OWNED AND/OR DEVELOPED BY ASTRO AT ITS OWN PRIVATE EXPENSE AND MAY NOT BE USED, DUPLICATED OR DISCLOSED TO OTHERS, IN WHOLE OR IN PART FOR DESIGN, MANUFACTURE OR PROCUREMENT WITHOUT THE WRITTEN PERMISSION OF ASTRO TOOL CORP. EACH AND EVERY TIME.					SCALE:	N.T.S.	UNLESS OTHERWISE SPECIFIED: DECIMALS: .XXX ± .005 .XX ± .010 .X ± .030 ANGLES: ± 1°	 CAGE 58164 21615 S.W. TUALATIN VALLEY HWY., BEAVERTON OR 97003									
					DWN BY:	DYO											
<table border="1"> <thead> <tr> <th>REV.</th> <th>DESCRIPTION</th> <th>BY</th> <th>DATE</th> <th>APR.</th> </tr> </thead> <tbody> <tr> <td>A</td> <td>NEW RELEASE</td> <td>DYO</td> <td>11-05-15</td> <td>MMK</td> </tr> </tbody> </table>					REV.	DESCRIPTION	BY	DATE	APR.	A	NEW RELEASE	DYO	11-05-15	MMK	DATE:	11-05-15	DESCRIPTION: ENVELOPE DRAWING: A422 CRIMP TOOL W/ LOCATOR
					REV.	DESCRIPTION	BY	DATE	APR.								
A	NEW RELEASE	DYO	11-05-15	MMK													
APPROVED:																	
					PART NO.	B	A422-ENV										