

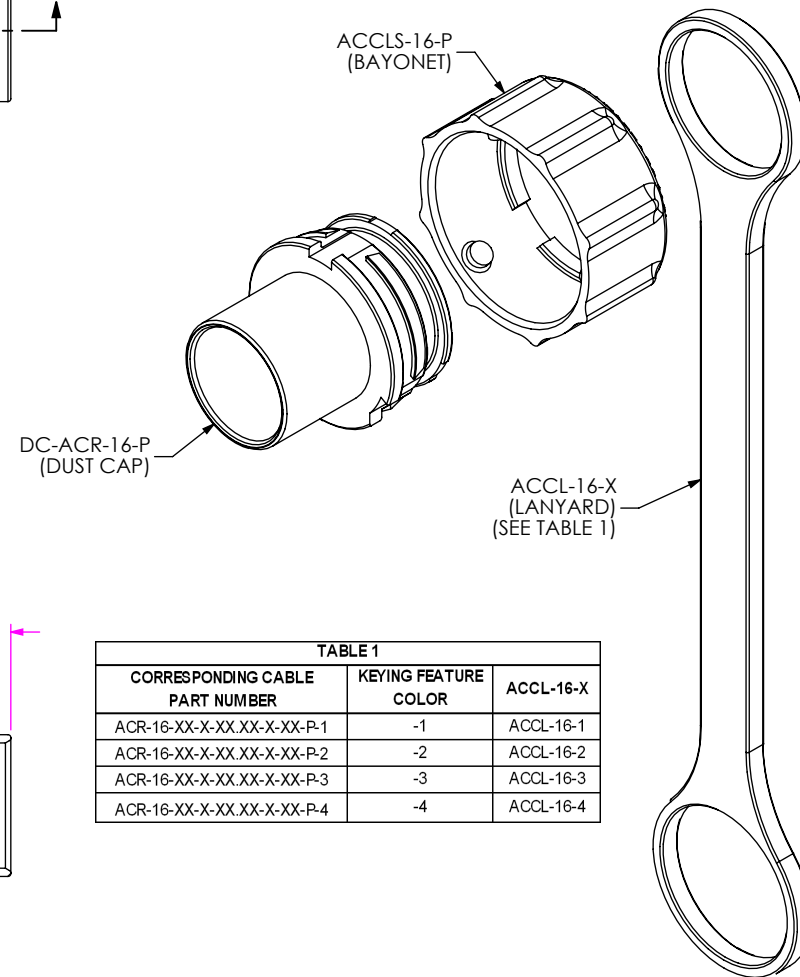
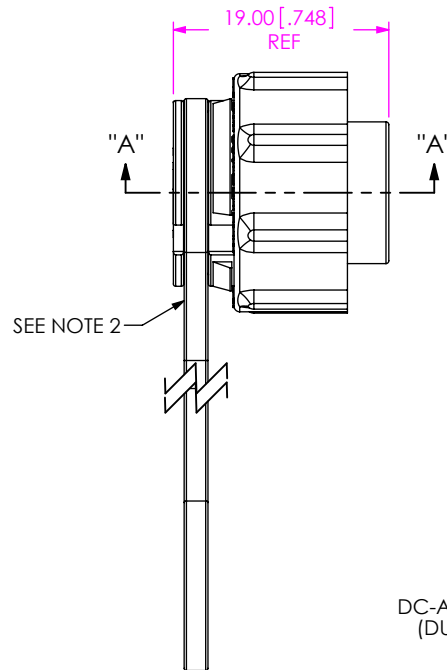
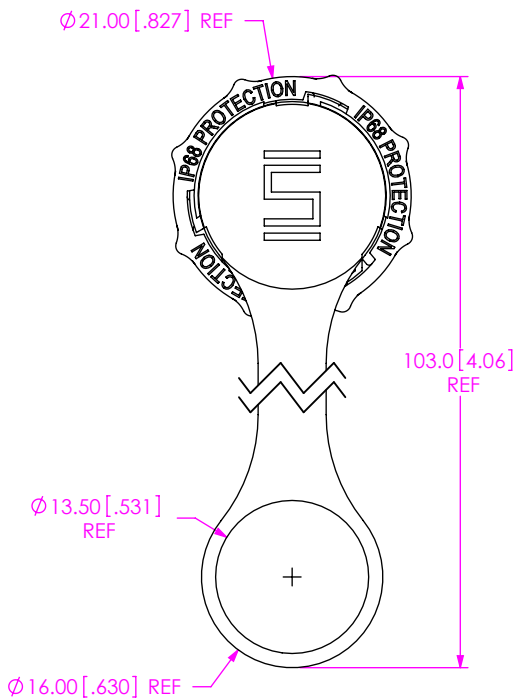
DO NOT SCALE FROM THIS PRINT

DESIGNED & DIMENSIONED IN MILLIMETERS [INCHES]

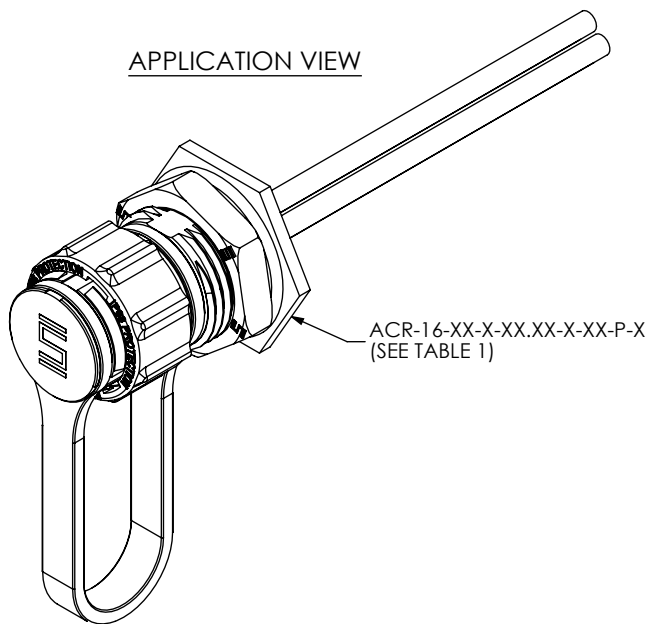
DCA-ACR-16-P-X

SIZE  
PLASTIC

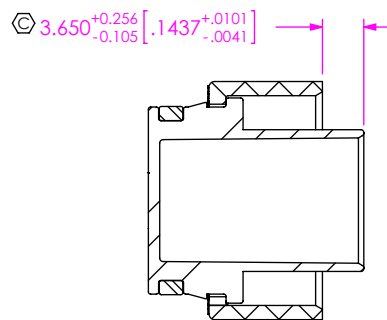
KEYING FEATURE COLOR  
-1: ORANGE  
-2: GREEN  
-3: BLUE  
-4: YELLOW



APPLICATION VIEW



ACR-16-XX-X-XX.XX-X-XX-P-X (SEE TABLE 1)



SECTION "A"- "A"

TABLE 1

CORRESPONDING CABLE PART NUMBER	KEYING FEATURE COLOR	ACCL-16-X
ACR-16-XX-X-XX.XX-X-XX-P-1	-1	ACCL-16-1
ACR-16-XX-X-XX.XX-X-XX-P-2	-2	ACCL-16-2
ACR-16-XX-X-XX.XX-X-XX-P-3	-3	ACCL-16-3
ACR-16-XX-X-XX.XX-X-XX-P-4	-4	ACCL-16-4

NOTES:

1. Ⓢ REPRESENTS A CRITICAL DIMENSION
2. ACCL-16-X MUST SEAT IN GROOVE IN DC-ACR-16-P.

UNLESS OTHERWISE SPECIFIED, DIMENSIONS ARE IN MILLIMETERS.

TOLERANCES ARE:

DECIMALS	ANGLES
X.X: ±0.3 [01]	2°
X.XX: ±0.08 [003]	
X.XXX: ±0.051 [0020]	

PROPRIETARY NOTE

THIS DOCUMENT CONTAINS INFORMATION CONFIDENTIAL AND PROPRIETARY TO SAMTEC, INC. AND SHALL NOT BE REPRODUCED OR TRANSFERRED TO OTHER DOCUMENTS OR DISCLOSED TO OTHERS OR USED FOR ANY PURPOSE OTHER THAN THAT WHICH IT WAS OBTAINED WITHOUT THE EXPRESSED WRITTEN CONSENT OF SAMTEC, INC.



MATERIAL: DO NOT SCALE DRAWING SHEET SCALE: 1.5:1

DC-ACR-16-P: NYLON, COLOR: BLACK  
ACCLS-16-P: NYLON, COLOR: BLACK  
ACCL-16-X: SILICONE

DESCRIPTION:  
ACCLIMATE CIRC. PANEL DUST CAP

DWG. NO. DCA-ACR-16-P-X