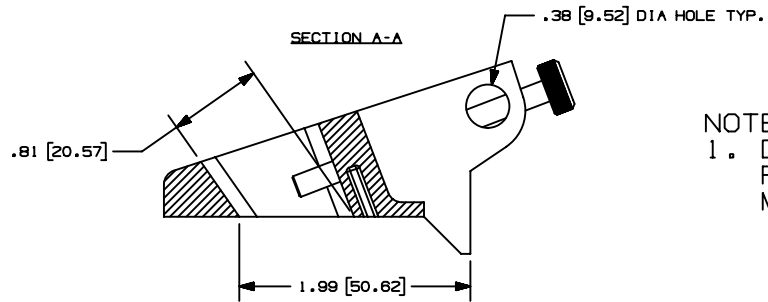
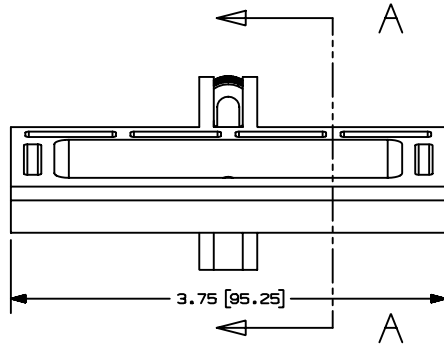
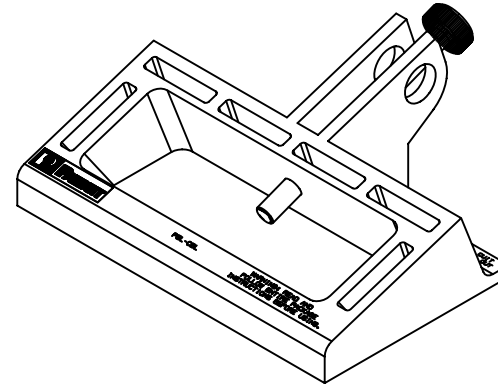
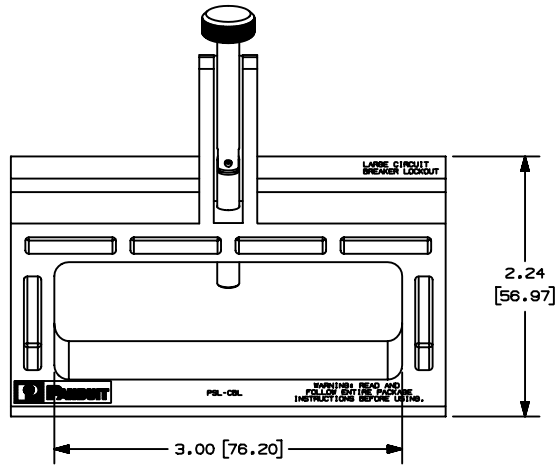


THIS COPY IS PROVIDED ON A RESTRICTED BASIS AND IS NOT TO BE USED IN ANY WAY DETRIMENTAL TO THE INTERESTS OF PANDUIT CORP.



NOTES:
1. DIMENSIONS IN PARENTHESES ARE IN MILLIMETERS.

										CAD FILENAME/LAYERS 100619XA_C10085_PSL-CBL_00.PRT		
										PANDUIT		
										CORP TINLEY PARK, ILLINOIS		
										PSL-CBL LARGE CIRCUIT BREAKER LOCKOUT		
										UNLESS OTHERWISE SPECIFIED, DIMENSIONAL TOLERANCES ARE: (.X) ± (.XXX) ± (.XX) ± .010 (0.25) ANGLES ±		UNLESS OTHERWISE SPECIFIED, ALL DIMENSIONS ARE GIVEN IN INCHES, THIRD ANGLE PROJECTION
							DRAWN BY RVU	MAT'L: RED NYLON		SCALE NTS		
R	10-8-03	RVU	DRAWING RELEASE				2965	R	DATE 10-8-03	DWG C10085	SIZE B	
REV	DATE	BY	CHK	DESCRIPTION				ECN	- R	CUST	SUP	