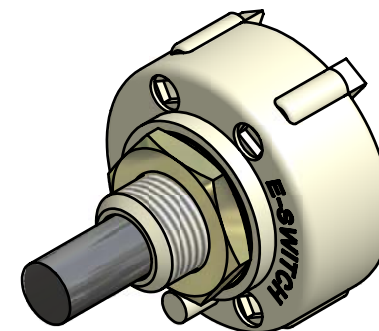
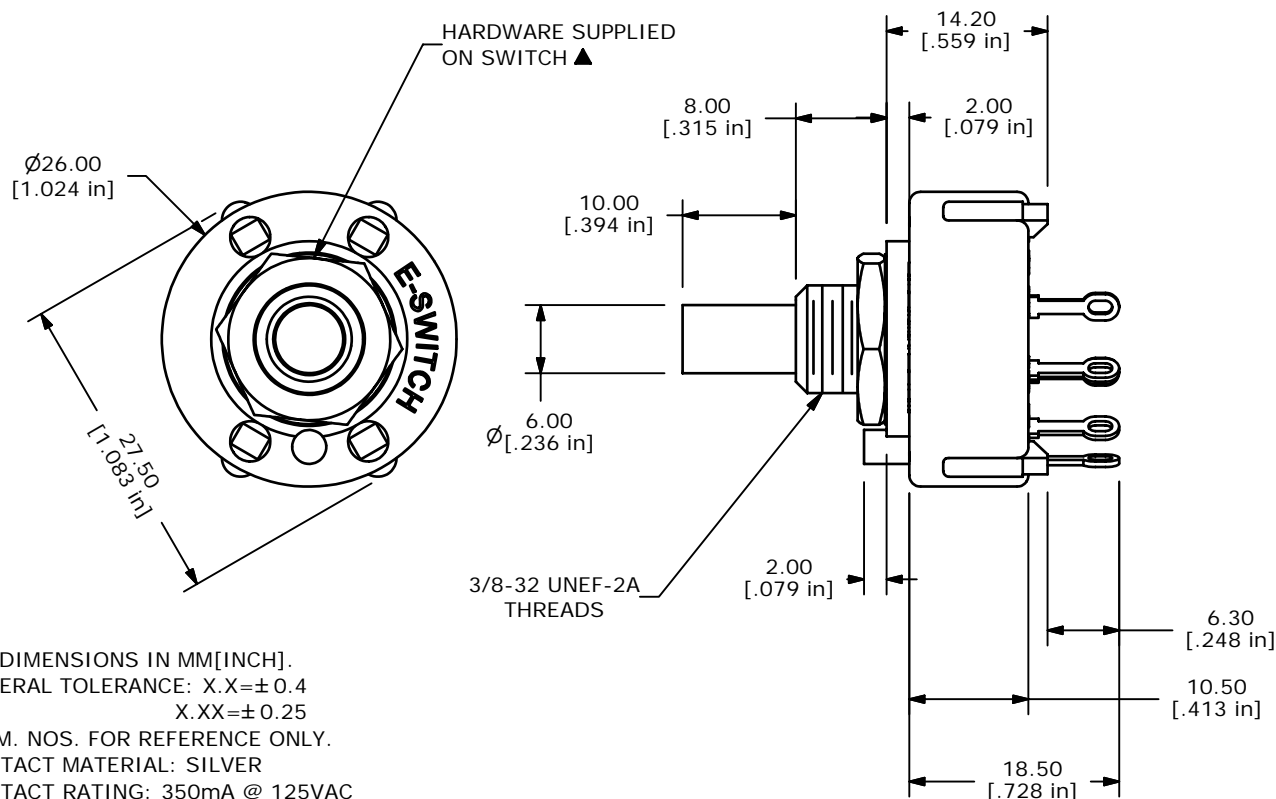
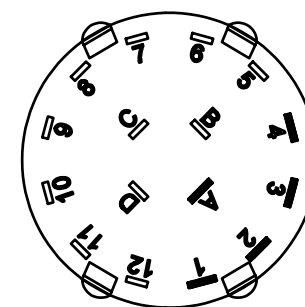


CONTACT CONFIGURATION
TIMING (BBM) NON-SHORTING



ISOMETRIC



- NOTE:
1. ALL DIMENSIONS IN MM[INCH].
 2. GENERAL TOLERANCE: X.X=±0.4
X.XX=±0.25
 3. TERM. NOS. FOR REFERENCE ONLY.
 4. CONTACT MATERIAL: SILVER
 5. CONTACT RATING: 350mA @ 125VAC
 6. OPERATING FORCE: 500±200 gm-cm
 7. OPERATING TEMP: -30°C TO 85°C
 - ▲ 8. CIRCUIT SP: 4 POSITION 30° INDEX.
 9. DIELECTRIC STRENGTH: 500VAC FOR 1 MIN.
 - ▲ 10. HARDWARE SUPPLIED ON SWITCH:
LOCKWASHER, HEXNUT, STOP RING
 11. ▲ DENOTES CRITICAL PARAMETER.

E-SWITCH®

TITLE KC14B10.001NLS

A	15255	RELEASED FOR PRODUCTION	9/12/05	PH
REV	PCR NO	DESCRIPTION	DATE	BY

THE INFORMATION CONTAINED IN THIS DOCUMENT IS PROPRIETARY TO E-SWITCH AND IS NOT TO BE COPIED OR TRANSFERRED

SCALE	DATE	DR	DWG	REV
1.5:1	9/12/2005	PH	G527964	A