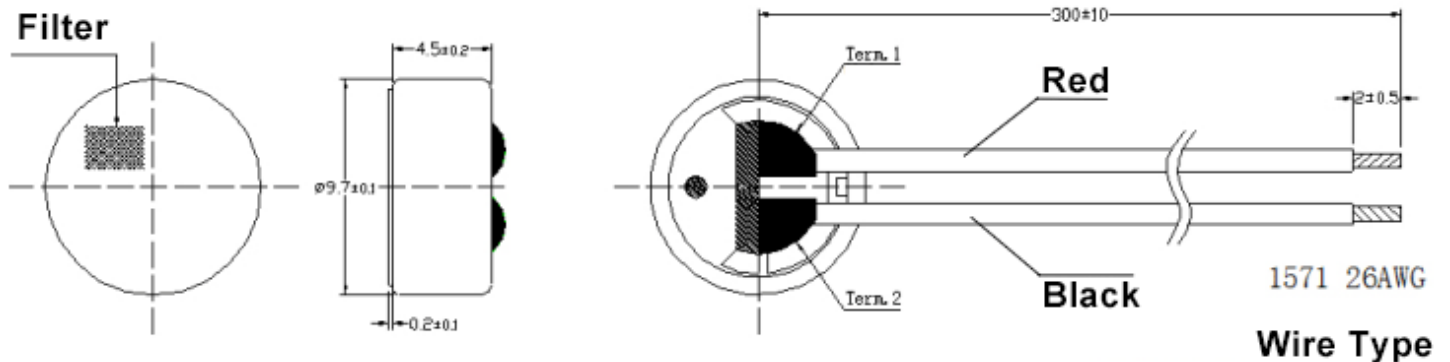


Sales Outline Drawing

Specifications:

Sensitivity Range	-42 ± 3 dB $R_L = 2.2\text{ k}\Omega$ $V_{cc} = 3.0\text{v}$ (1 kHz 0 dB = 1 v/Pa)
Impedance	Max. 2.2k Ω 1 kHz ($R_L = 2.2\text{ k}\Omega$)
Frequency	20 - 16000 Hz
Current Consumption	Max 0.5 mA
Operating Voltage Range	1.1 – 10 V
Max SPL (dB)	115 dB
S/N Ration	More than 60 dB
Sensitivity Reduction	3.0 –2.0V Variation less than 3 dB
Storage Condition	-40 ~ +70°C; R.H. < 90%
Operating Condition	-20 ~ +60°C; R.H. < 90%
Weight (g)	0.6
Options	For other options contact factory

Dimensions: (units: mm)



Schematic Diagram:

