

PRODUCT NUMBER	PITCH
H5xx70x100J0G	5.00 mm

Dimension

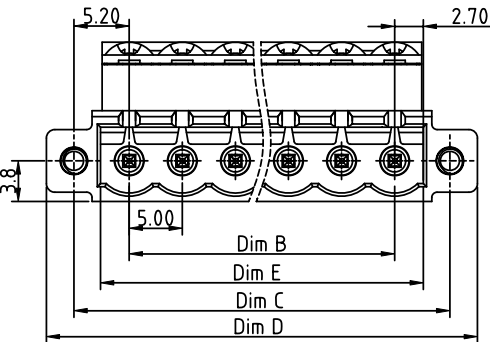
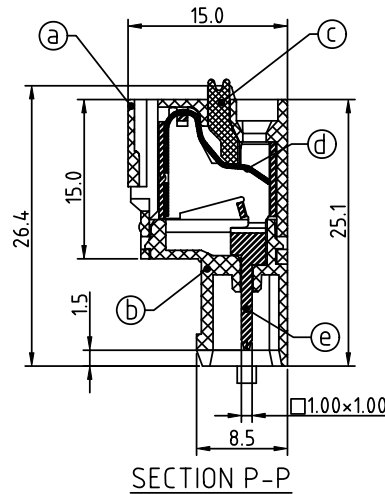
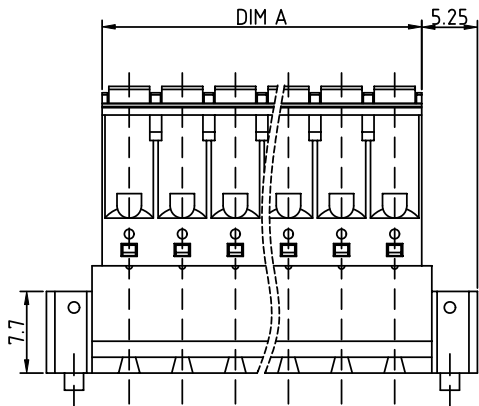
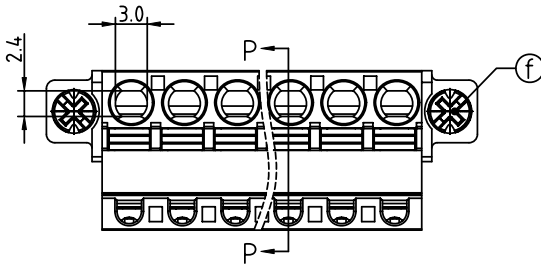
DIM A	Nx5.0+0.10
DIM B	(N-1)x5.0
DIM C	(N-1)x5.0+10.4
DIM D	Nx5.0+10.6
DIM E	Nx5.0+0.4

N=Number of poles

POLES	Tolerance
2p-6p	±0.15
7p-12p	±0.20
13p-16p	±0.30
17p-24p	±0.40

PART NO.: H5 xx 7 0 x 1 00J0 G

Solid block	0	Black (RAL9005)	RoHS compliant
No. of poles	2	Red (RAL3001/D)	(lead<4%)
02 2 poles	3	Orange(RAL2011/P)	In copper Alloy
03 3 poles	4	Yellow(RAL1018/A)	
... ..	5	Green(RAL6018/T)	
24 24 poles	6	Blue (RAL5015/A)	
	8	Grey(RAL7035/D)	
	9	White(RAL1102)	
	C	Green(RAL6018/U)	



Material:

- Item (a) Top body: Thermoplastic (UL94V-0)
- Item (b) Bottom body: Thermoplastic (UL94V-0)
- Item (c) Terminal lever: Thermoplastic (UL94V-0) Orange (RAL2001/P)
- Item (d) Spring clamp: Stainless Steel
- Item (e) Male contact pin: PhBz (CuSn) Tin plated
- Item (f) Flange screw: Steel Zinc plating M2.5 "+/-" combination type

Electrical

- Voltage rating: 300V
- Current rating: 10A
- Solid wire(AWG): 12-26
- Stranded wire(AWG): 12-26
- Wire strip length: 9-10mm
- Withstanding Voltage: 1.6KV
- Operating temperature: -40°C to +115°C
- Safety Approval: cULus

cULus

mat'l. code		surface ASME Y14.5 ✓	tolerance ASME Y14.5	projection ⊕	product family TERMINAL BLOCK
ltr	ecn no	dr	date	tolerances unless otherwise specified	title
				angles X ± 0.5	TERMINAL BLOCK SPRING CLAMP, PLUGGABLE PLUG MALE CONNECTOR, FLANGE WITH SCREW
				X.X ± 0.3	
				X* ± 1*	
		dr	EVIN ZHONG	051614	scale MM
		enr	EVIN ZHONG	051614	FCI
		chr	HANKE FENG	051614	
		appd	SHI JUN	051614	
sheet index	revision sheet	A	1		dwg no H5xx70x100J0G
					sheet 1 of 1 size A4
					type CUSTOMER Drawing