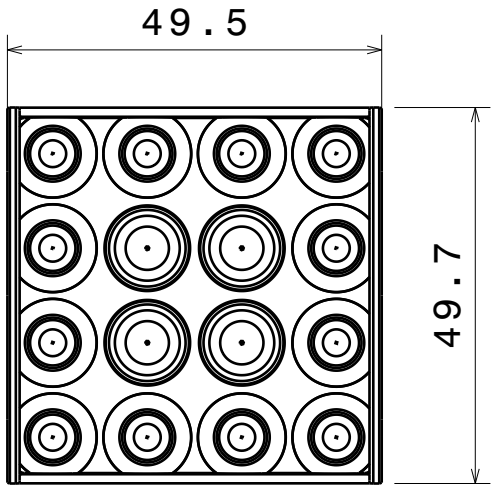
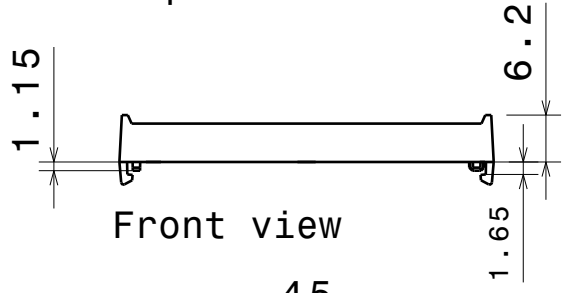


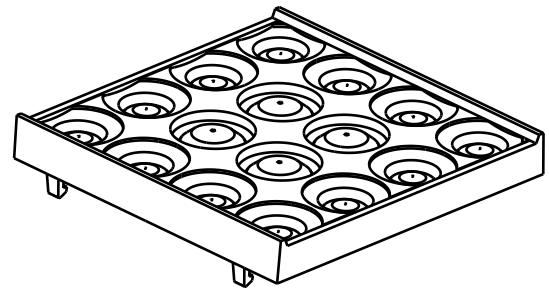
D C B A



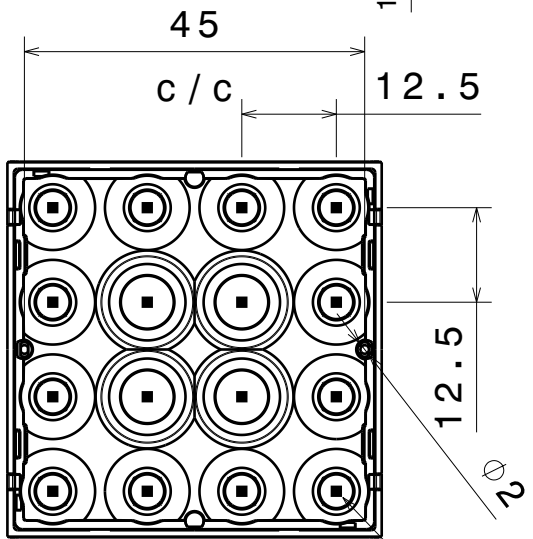
Top view



Front view



Isometric view  
Scale: 1:1



Bottom view

LED position

Note:  
Countersunk screws required for PCB attachment.

INDEX	PART NO	DESCRIPTION	MATERIAL	COLOUR
1	C14538	IDA16-HLD-16	PC	gray
2	C14596	IDA16-WW	PMMA	

Tolerances if not otherwise shown  
According to DIN ISO 2768-1  
Linear measures:  
up to 30mm class M, otherwise class C  
According to DIN ISO 2768-2  
Form and position: class L

**LEDiL** LediL Oy  
Salorankatu 10  
FIN 24240 SALO  
Finland

THIRD ANGLE PROJECTION:

DRAWING TITLE  
**CP14876\_IDA16-WW**

This drawing is the property of LEDiL Oy. It may not be reproduced, copied or communicated without a written agreement with LEDiL Oy.

SIZE PART NUMBER  
**A4 CP14876**

SCALE 1:1 WEIGHT 7,97 g SHEET 1/1

D A