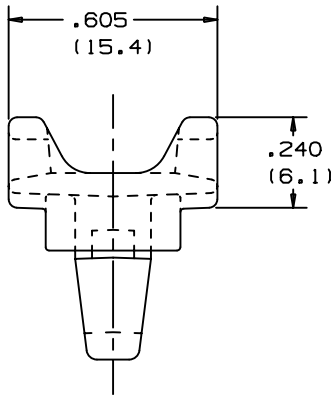
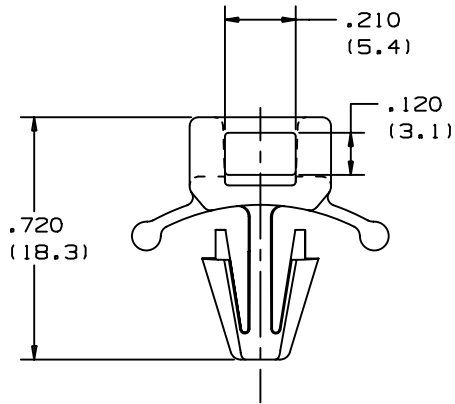
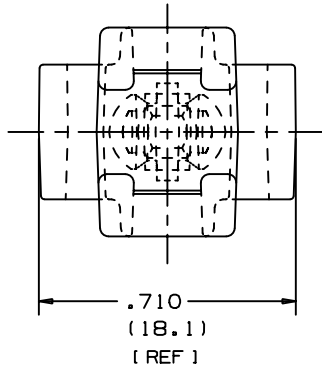


THIS COPY IS PROVIDED ON A RESTRICTED BASIS AND IS NOT TO BE USED IN ANY WAY DETRIMENTAL TO THE INTERESTS OF PANDUIT CORP.



PANDUIT PART NO. *	USE WITH CABLE TIES **	PANEL DIMENSIONS		WEIGHT LBS. / 100 PCS. (g)
		THICKNESS	HOLE SIZE	
TM2PWH25	M , I , S	.09 (2.3) MAX.	.25 (6.4)	.19 LBS. (85.6 g)

**NOTES:**

- \* 1. SEE CURRENT PRICE SHEET FOR PART NUMBER SUFFIX DESIGNATION, PACKAGE SIZE, AND COLOR.
- \*\* 2. CABLE TIE CROSS SECTION CODE:  
M = MINIATURE  
I = INTERMEDIATE  
S = STANDARD  
LH = LIGHT HEAVY  
H = HEAVY

(DIMENSIONS IN PARENTHESIS ARE IN METRIC.)

CAD FILENAME/LAYERS G00239JJ\_PB\_TM2PWH25\_00

**PANDUIT**

CORP. TINLEY PARK, ILLINOIS

PUSH BARB TIE MOUNT  
TM2PWH25

UNLESS OTHERWISE SPECIFIED,  
DIMENSIONAL TOLERANCES ARE:  
(.X) ±0.1 (2.5) (.XXX) ±0.020 (.5)  
(.XX) ±0.05 (1.3) ANGLES ±5°

UNLESS OTHERWISE SPECIFIED,  
ALL DIMENSIONS ARE GIVEN  
IN INCHES, THIRD ANGLE PROJECTION.

DRAWN BY  
LGG

MAT'L:

SCALE 2:1

DATE  
9-4-02

NYLON 6/6

DRAWING NO.

DWG  
SIZE

R 9-4-02 LGG INITIAL RELEASE. REPLACED G-02169

GB0239JJ R

GB0239JJ

A

REV DATE BY CHK DESCRIPTION

ECN - R CUST SUP