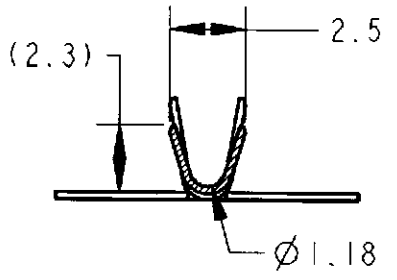


THIS DRAWING IS UNPUBLISHED.

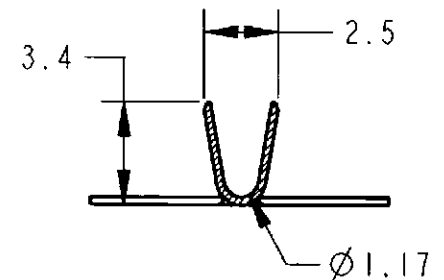
RELEASED FOR PUBLICATION ,1997.xx.xx

© COPYRIGHT 1997.xx.xx BY AMP INCORPORATED. ALL RIGHTS RESERVED.

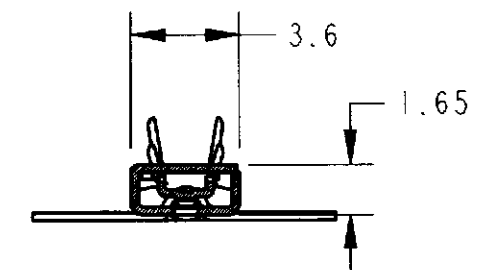
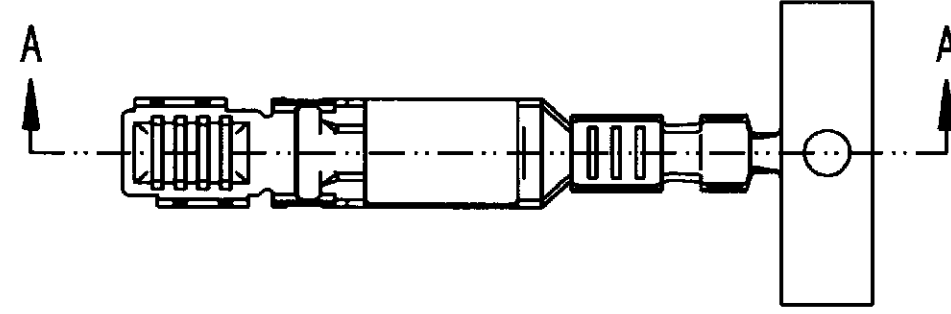
LOC	DIST	REVISIONS 変更						
		P	LTR	DESCRIPTION	ECN	DATE	DWN	APVD
J	-			RELEASED	FJ00-1997-97	10DEC97	R.K	N.S



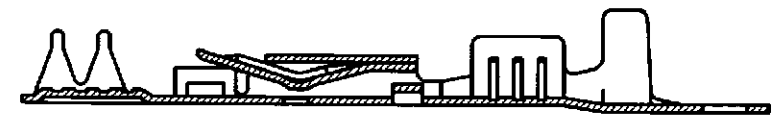
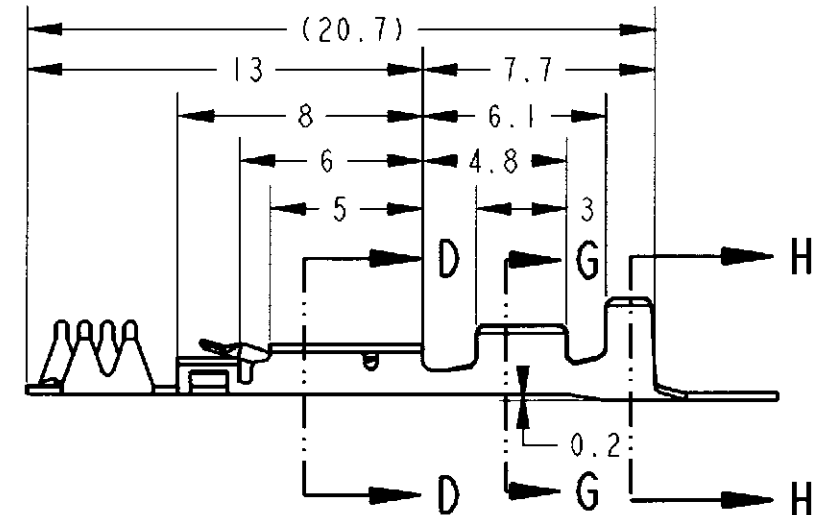
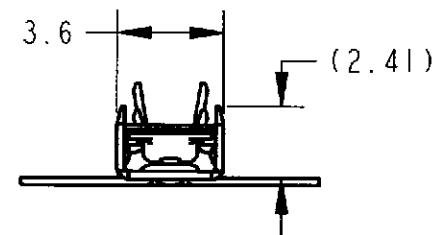
断面 G-G



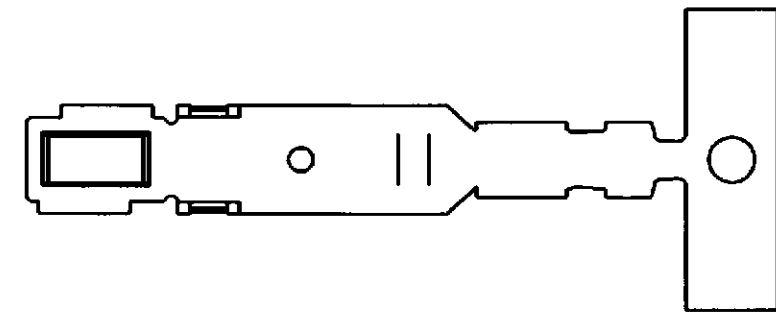
断面 H-H



断面 D-D



断面 A-A



I. 適用電線: AVSS 0.3~0.5mm<sup>2</sup>

I. APPLICABLE WIRE RANGE;  
AVSS 0.3~0.5mm<sup>2</sup>

PRE-TIN(すずめっき済)	353842-1
FINISH(仕上)	PART NUMBER(型番)

**AMP** 日本エー・エム・ピー株式会社  
Kawasaki, Japan

NAME  
SEAT BELT FPC CONTACT

THIS DRAWING IS A CONTROLLED DOCUMENT FOR AMP INCORPORATED. IT IS SUBJECT TO CHANGE AND THE CONTROLLING ENGINEERING ORGANIZATION SHOULD BE CONTACTED FOR THE LATEST REVISION.		DWN R. KOMIYAMA 10DEC97
DIMENSIONS: 単位: mm		CHK N.SAI 10DEC97
TOLERANCES UNLESS OTHERWISE SPECIFIED: 一般公差 10 > : ±0.2 30 > : ±0.25 100 > : ±0.3 ANGLE : ±3°		APVD N.SAI 10DEC97
MATERIAL 材料: Cu ALLOY 銅合金		PRODUCT SPEC 製品規格
FINISH 仕上: SEE TABLE 表参照		APPLICATION SPEC 取付適用規格 114-5241
		WEIGHT 0.36g
		CUSTOMER DRAWING

SIZE A3	CAGE CODE 00779	DRAWING NO 番号 C-353842	RESTRICTED TO
SCALE 尺度: 4:1	SHEET 1	OF 1	REV 0