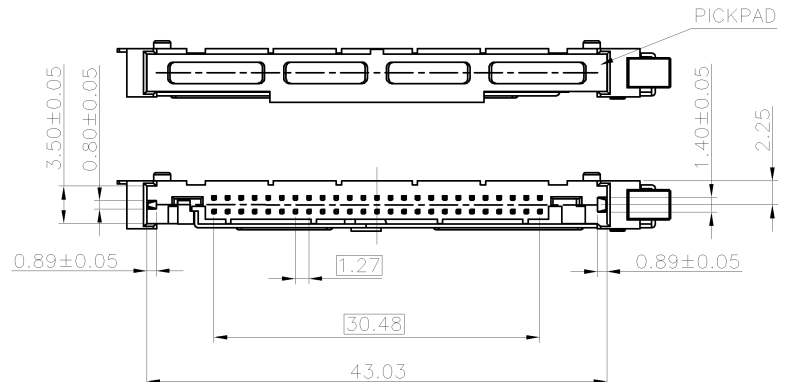


THIS DRAWING IS UNPUBLISHED. RELEASED FOR PUBLICATION  
 © COPYRIGHT BY TYCO ELECTRONICS CORPORATION. ALL RIGHTS RESERVED.

LOC		DIST		REVISIONS				
P	LTR	DESCRIPTION			DATE	DWN	APVD	
C2		REVISED (ECR-12-013098)			20JUL12	JL	WK	

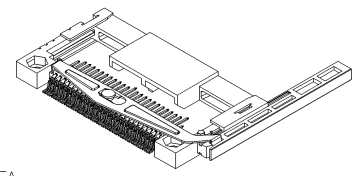
D



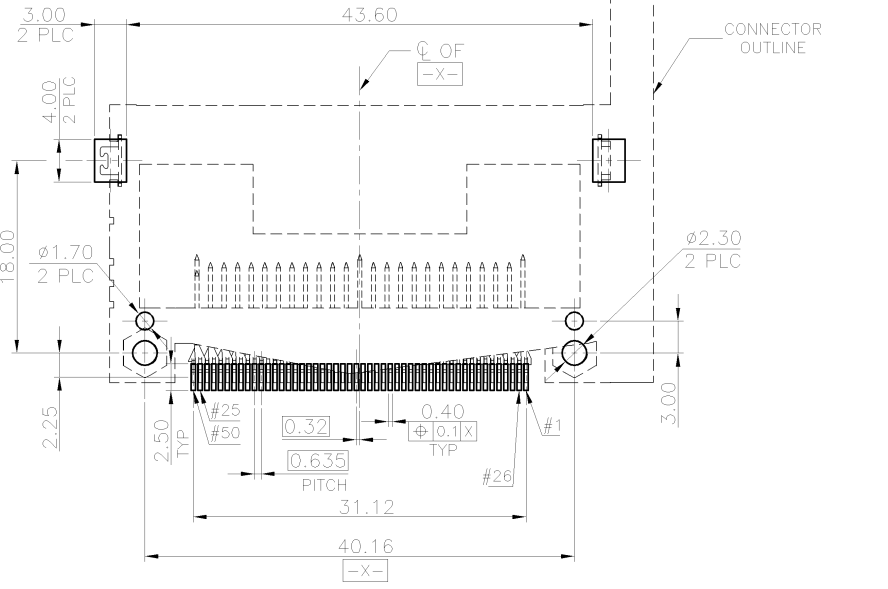
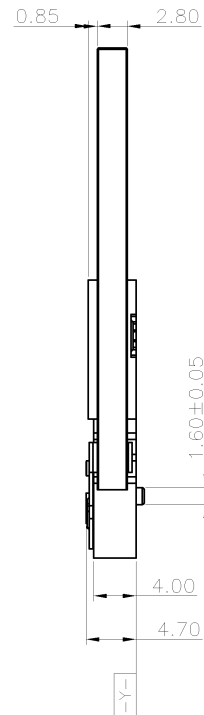
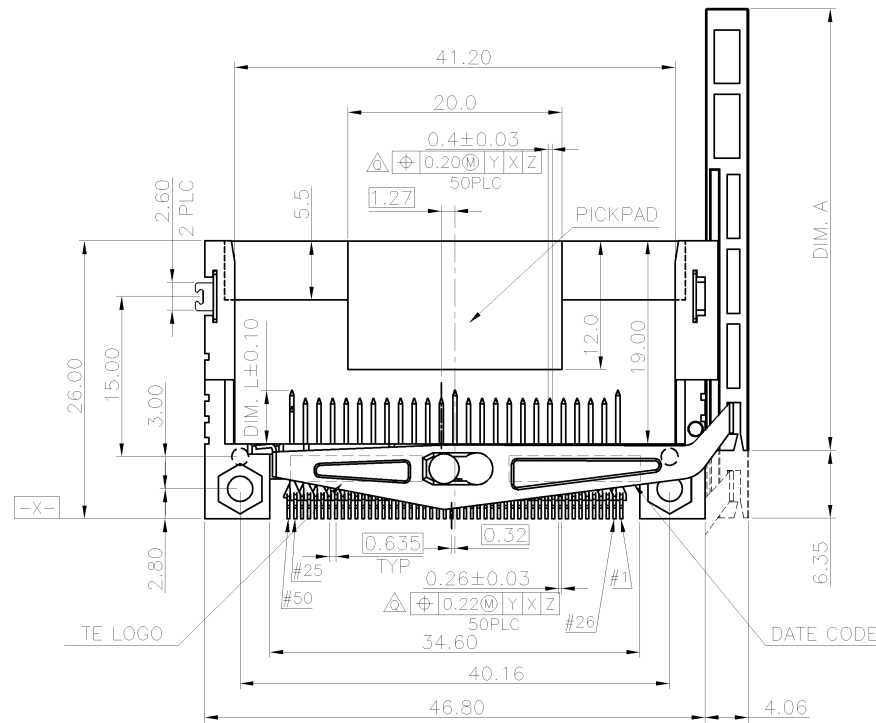
POWER	5.00mm
GENERAL	4.25mm
DETECT	3.50mm
PIN TYPE	INTERFACE DIM. L

NOTE:

- MATERIAL:  
 HOUSING: LCP WITH 30% GF, UL 94V-0, WHITE COLOR.  
 EJECTOR: LCP WITH 30% GF, UL 94V-0, BLACK COLOR.  
 PICKPAD: LCP WITH 30% GF, UL 94V-0, BLACK COLOR.  
 CONTACTS: BRASS.  
 BOARDLOCKS: BRASS.  
 PIVOT SHELL: STEEL.
- FINISH:  
 CONTACTS: 0.381µm [15µ"] GOLD PLATED ON CONTACT AREA,  
 2.54µm [100µ"] MIN. MATTE-TIN ON SOLDER TAIL, WITH  
 ENTIRE CONTACT UNDERPLATED 1.27µm [50µ"] MIN. NICKEL.  
 MOUNT EAR: 2.54µm [100µ"] MIN. TIN PLATED ON SOLDER AREA  
 1.27µm [50µ"] MIN. UNDERPLATED ALL OVER.
- REFLOW SOLDER CAPABLE TO 260°C PER TE TEST SPEC.  
 109-201, CONDITION B.
- MEET COMPACT FLASH INDUSTRY STANDARD.
- "Δ" CTQ DIMENSION FOR SPECIAL CONTROL



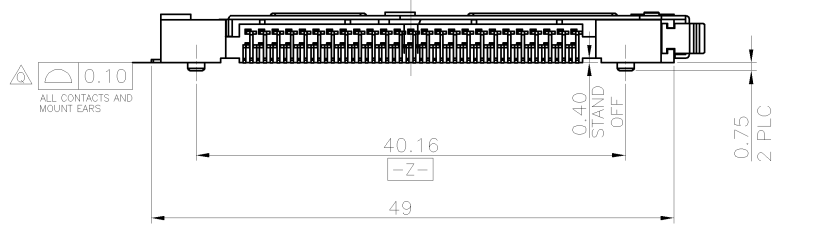
C



RECOMMENDED PCB LAYOUT  
 (TOLERANCE: ±0.05)

OBSOLETE	34.70	≠1734909=2=
	41.30	1734909-1
	DIM. A	PART NUMBER

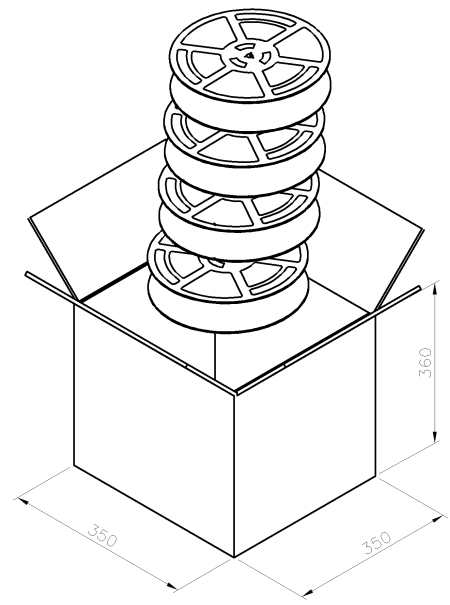
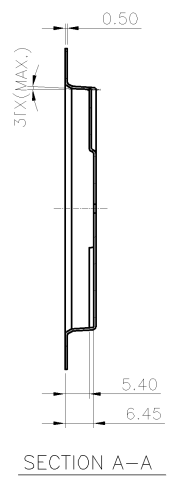
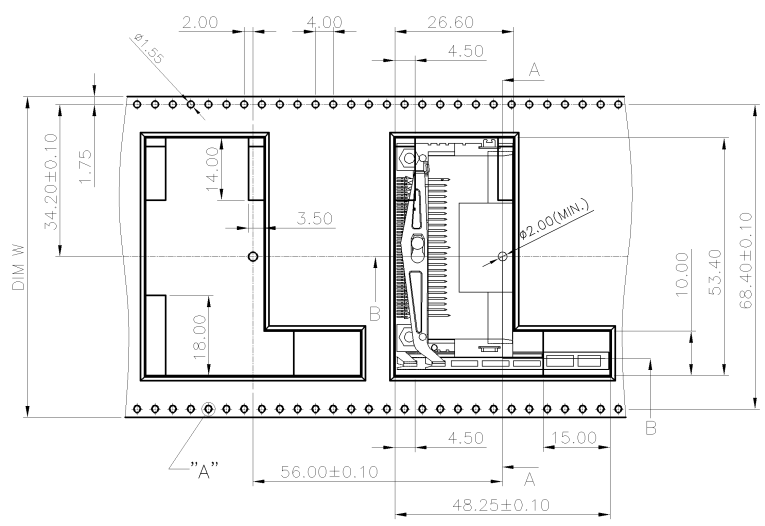
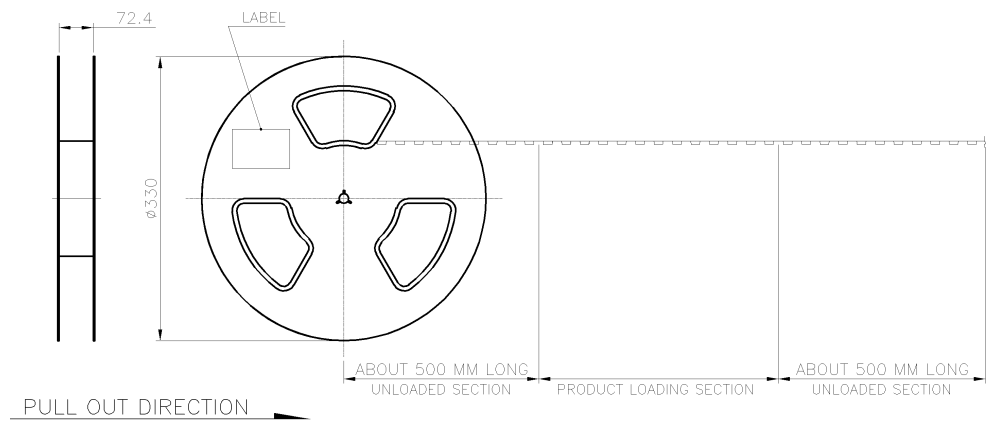
A



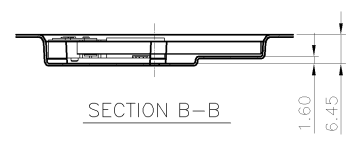
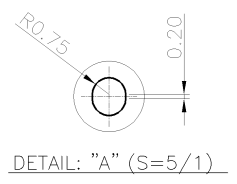
THIS DRAWING IS A CONTROLLED DOCUMENT.		DWN	S. CHIEN	16JUL2008	<b>TE Connectivity</b>		
DIMENSIONS: MM		CHK	S. CHIEN	16JUL2008			
TOLERANCES UNLESS OTHERWISE SPECIFIED:		APVD	W. KODAMA	16JUL2008	NAME		
0 PLC ± 0.5		PRODUCT SPEC		PIN HEADER, 50 POS, SMT, WITH EJECTOR, COMPACT FLASH CARD			
1 PLC ± 0.3		QUALIFICATION TEST REPORT		108-57134			
2 PLC ± 0.2		WEIGHT		501-57118			
3 PLC ± 0.1		CUSTOMER DRAWING		A3 00779 C=1734909			
4 PLC ± 0.1		FINISH		SCALE			
4 ANGLES ± 0.1		SEE NOTE		SHEET 1 of 2			
MATERIAL		SEE NOTE		REV C2			

THIS DRAWING IS UNPUBLISHED. RELEASED FOR PUBLICATION  
 © COPYRIGHT BY TYCO ELECTRONICS CORPORATION. ALL RIGHTS RESERVED.

LOC	DIST	REVISIONS					
DW		P	LTR	DESCRIPTION	DATE	DWN	APVD
				SEE SHEET 1.			



72	110	4	440	6	5.5
DIM W	PCS/TAPE	REELS/CARTON	QUANTITY (PCS)	G/W (Kg)	N/W (Kg)



THIS DRAWING IS A CONTROLLED DOCUMENT.		DWN	-		
DIMENSIONS: MM		CHK	-		
TOLERANCES UNLESS OTHERWISE SPECIFIED:		APVD	-		
0 PLC	±	PRODUCT SPEC	-		
1 PLC	±	APPLICATION SPEC	-		
2 PLC	±	WEIGHT	-		
3 PLC	±	CUSTOMER DRAWING	-		
4 PLC	±	FINISH	-		
ANGLES	±	SIZE	A3	CAGE CODE	00779
		DRAWING NO	C-1734909		RESTRICTED TO
		SCALE	-		SHEET 2 of 2
		REV	C2		



PIN HEADER, 50 POS, SMT, WITH EJECTOR, COMPACT FLASH CARD