

Transformer Driver for Isolated Power Supplies

Check for Samples: [SN6501](#)

FEATURES

- Push-Pull Driver for Small Transformers
- Single 3.3 V or 5 V Supply
- High Primary-side Current Drive:
 - 5 V Supply: 350 mA (max)
 - 3.3 V Supply: 150 mA (max)
- Low Ripple on Rectified Output Permits Small Output Capacitors
- Small 5-pin SOT23 Package

APPLICATIONS

- Isolated Interface Power Supply for CAN, RS-485, RS-422, RS-232, SPI, I2C, Low-Power LAN
- Industrial Automation
- Process Control
- Medical Equipment

DESCRIPTION

The SN6501 is a monolithic oscillator/power-driver, specifically designed for small form factor, isolated power supplies in isolated interface applications. It drives a low-profile, center-tapped transformer primary from a 3.3 V or 5 V DC power supply. The secondary can be wound to provide any isolated voltage based on transformer turns ratio.

The SN6501 consists of an oscillator followed by a gate drive circuit that provides the complementary output signals to drive the ground referenced N-channel power switches. The internal logic ensures break-before-make action between the two switches.

The SN6501 is available in a small SOT23-5 package, and is specified for operation at temperatures from -40°C to 125°C .

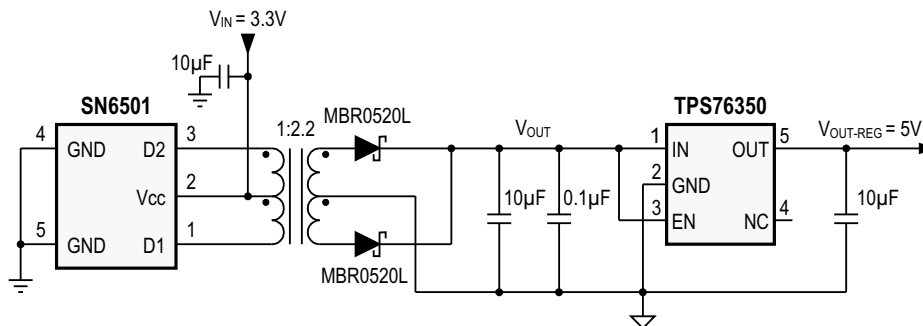


Figure 1. Typical Operating Circuit



Please be aware that an important notice concerning availability, standard warranty, and use in critical applications of Texas Instruments semiconductor products and disclaimers thereto appears at the end of this data sheet.

SN6501

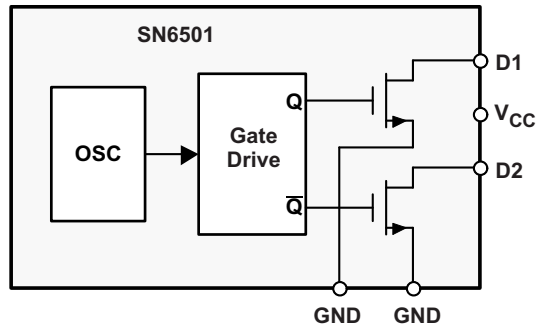
SLLSEA0F – FEBRUARY 2012 – REVISED AUGUST 2013

www.ti.com

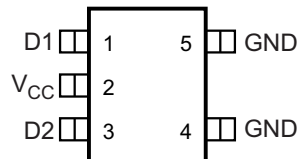


These devices have limited built-in ESD protection. The leads should be shorted together or the device placed in conductive foam during storage or handling to prevent electrostatic damage to the MOS gates.

FUNCTIONAL BLOCK DIAGRAM



PIN FUNCTIONS



PIN No.	NAME	DESCRIPTION
1	D1	Drain 1
2	Vcc	Supply voltage
3	D2	Drain 2
4,5	GND	Ground

TEST CIRCUIT

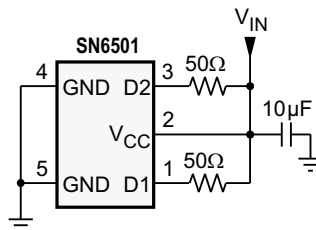


Figure 2. Test Circuit for R_{ON} , f_{SW} , f_{St} , t_{r-D} , t_{f-D} , t_{BBM}

ABSOLUTE MAXIMUM RATINGS

 over operating free-air temperature range (unless otherwise noted) ⁽¹⁾

		VALUES	
V _{CC}	Supply voltage	–0.3 V to +6 V	
V _{D1} , V _{D2}	Output switch voltage	14 V	
I _{D1P} , I _{D2P}	Peak output switch current	500 mA	
P _{TOT}	Continuous power dissipation	250 mW	
ESD	Human Body Model	ESDA/JEDEC JS-001-2012	All Pins
	Charged Device Model	JEDEC JESD22-C101E	
	Machine Model	JEDEC JESD22-A115-A	
T _{STG}	Storage temperature range	–65°C to 150°C	
T _J	Junction temperature	170°C	

- (1) Stresses beyond those listed under ABSOLUTE MAXIMUM RATINGS cause permanent damage to the device. These are stress ratings only and functional operation of the device at these or any other conditions beyond those indicated under RECOMMENDED OPERATING CONDITIONS is not implied. Exposure to absolute-maximum-rated conditions for extended periods affects device reliability.

THERMAL INFORMATION

THERMAL METRIC ⁽¹⁾		SN6501	UNITS
		DBV 5-PINS	
θ _{JA}	Junction-to-ambient thermal resistance	208.3	°C/W
θ _{JCtop}	Junction-to-case (top) thermal resistance	87.1	
θ _{JB}	Junction-to-board thermal resistance	40.4	
ψ _{JT}	Junction-to-top characterization parameter	5.2	
ψ _{JB}	Junction-to-board characterization parameter	39.7	
θ _{JCbot}	Junction-to-case (bottom) thermal resistance	N/A	

- (1) For more information about traditional and new thermal metrics, see the *IC Package Thermal Metrics* application report, [SPRA953](#).

RECOMMENDED OPERATING CONDITIONS

		MIN	TYP	MAX	UNIT	
V _{CC}	Supply voltage	3	5.5		V	
V _{D1} , V _{D2}	Output switch voltage	V _{CC} = 5 V ± 10%,	When connected to Transformer with primary winding Center-tapped	0	11	V
		V _{CC} = 3.3 V ± 10%		0	7.2	
I _{D1} , I _{D2}	D1 and D2 output switch current – Primary-side	V _{CC} = 5 V ± 10%	V _{D1} , V _{D2} Swing ≥ 3.8 V, see Figure 58 for typical characteristics		350	mA
		V _{CC} = 3.3 V ± 10%		V _{D1} , V _{D2} Swing ≥ 2.5 V, see Figure 57 for typical characteristics		
T _A	Ambient temperature	–40		125	°C	

ELECTRICAL CHARACTERISTICS

Over full-range of recommended operating conditions, unless otherwise noted

PARAMETER		TEST CONDITIONS	MIN	TYP	MAX	UNIT
R _{ON}	Switch-on resistance	V _{CC} = 3.3 V ± 10%, See Figure 2		1	3	Ω
		V _{CC} = 5 V ± 10%, See Figure 2		0.6	2	
I _{CC}	Average supply current ⁽¹⁾	V _{CC} = 3.3 V ± 10%, no load		150	400	uA
		V _{CC} = 5 V ± 10%, no load		300	700	
f _{ST}	Startup frequency	V _{CC} = 2.4 V, See Figure 2		300		kHz
f _{SW}	D1, D2 Switching frequency	V _{CC} = 3.3 V ± 10%, See Figure 2	250	360	550	kHz
		V _{CC} = 5 V ± 10%, See Figure 2	300	410	620	
t _{r-D}	D1, D2 output rise time	V _{CC} = 3.3 V ± 10%, See Figure 2		70		ns
		V _{CC} = 5 V ± 10%, See Figure 2		80		
t _{f-D}	D1, D2 output fall time	V _{CC} = 3.3 V ± 10%, See Figure 2		110		ns
		V _{CC} = 5 V ± 10%, See Figure 2		60		
t _{BBM}	Break-before-make time	V _{CC} = 3.3 V ± 10%, See Figure 2		150		ns
		V _{CC} = 5 V ± 10%, See Figure 2		50		

(1) Average supply current is the current used by SN6501 only. It does not include load current.

TYPICAL OPERATING CHARACTERISTICS

Typical Curves in Figure 3 through Figure 14 are measured with Circuit in Figure 67 at TP1; whereas, Typical Curves in Figure 15 through Figure 54 are measured with Circuit in Figure 68 at TP1 and TP2 ($T_A = 25^\circ\text{C}$ unless otherwise noted). See Table 2 and Table 3 for Transformer Specifications.

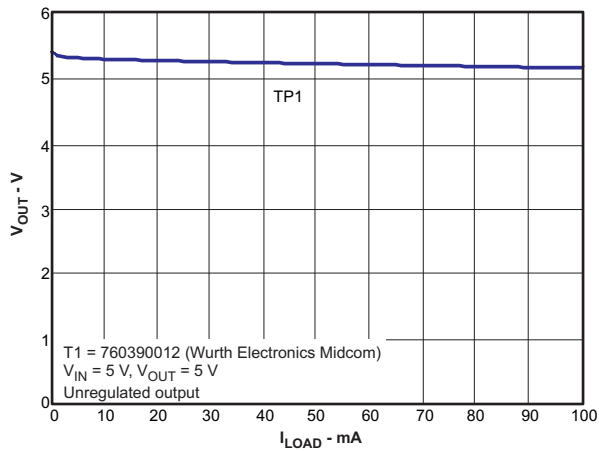


Figure 3. Output Voltage vs. Load Current

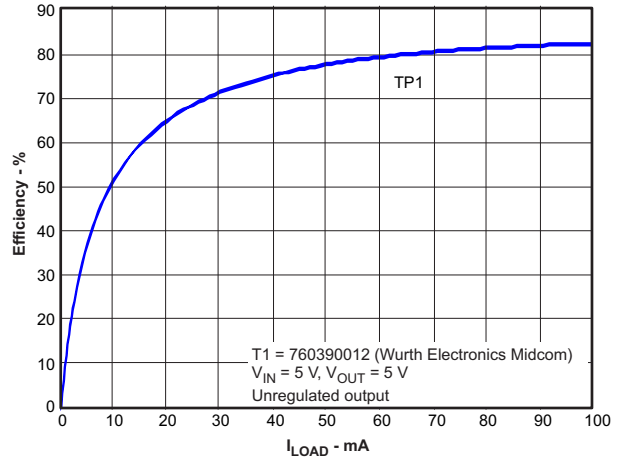


Figure 4. Efficiency vs. Load Current

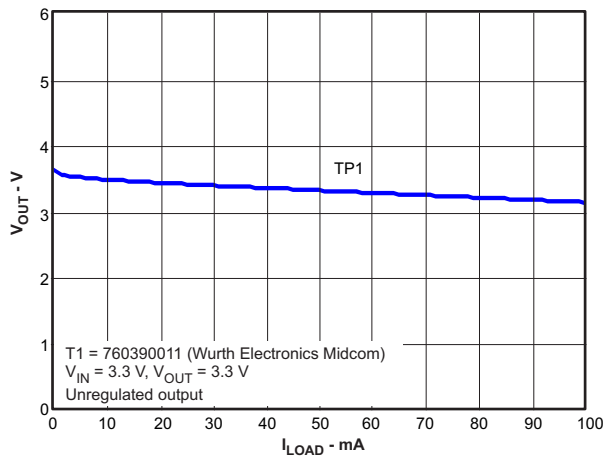


Figure 5. Output Voltage vs. Load Current

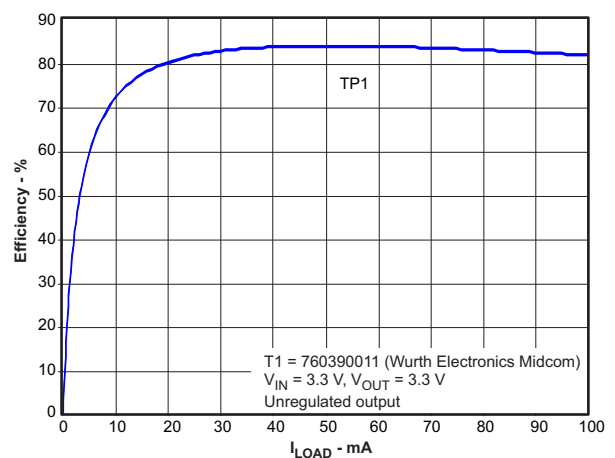


Figure 6. Efficiency vs. Load Current

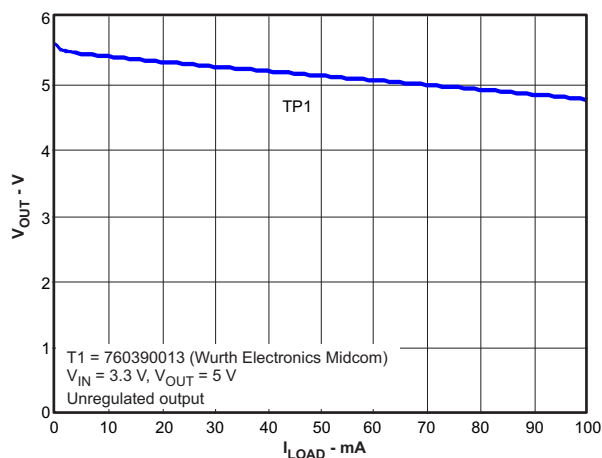


Figure 7. Output Voltage vs. Load Current

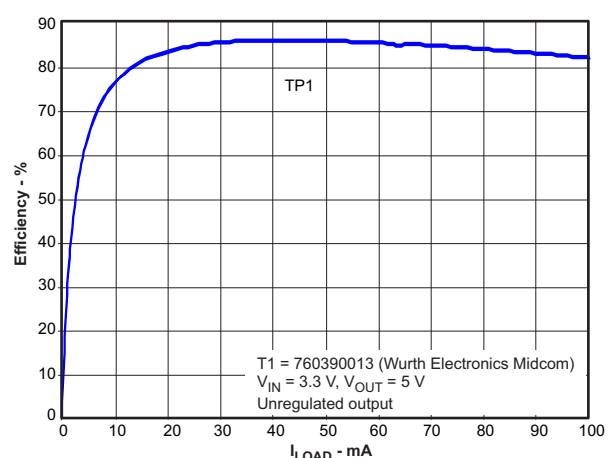


Figure 8. Efficiency vs. Load Current

TYPICAL OPERATING CHARACTERISTICS (continued)

Typical Curves in Figure 3 through Figure 14 are measured with Circuit in Figure 67 at TP1; whereas, Typical Curves in Figure 15 through Figure 54 are measured with Circuit in Figure 68 at TP1 and TP2 ($T_A = 25^\circ\text{C}$ unless otherwise noted).

See Table 2 and Table 3 for Transformer Specifications.

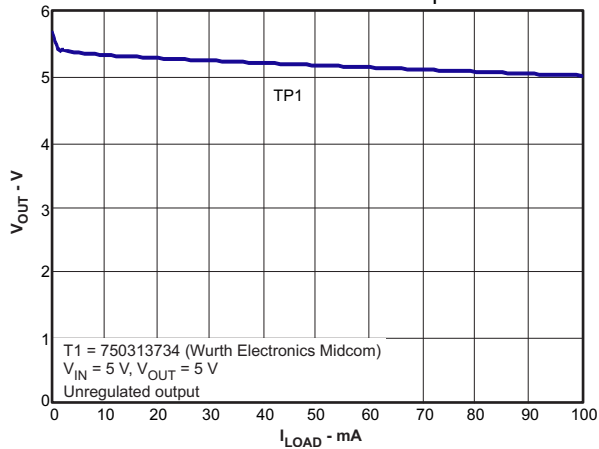


Figure 9. Output Voltage vs Load Current

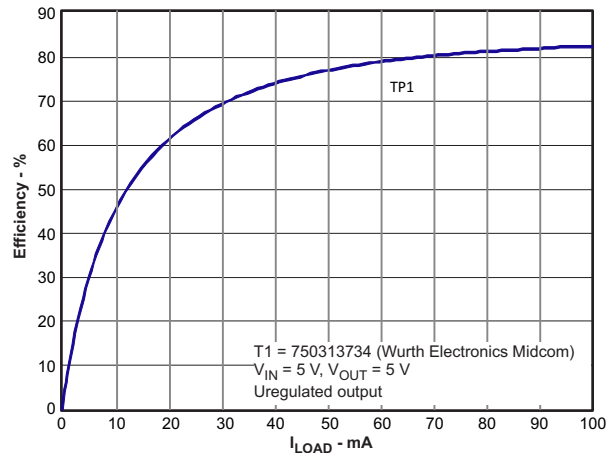


Figure 10. Efficiency vs Load Current

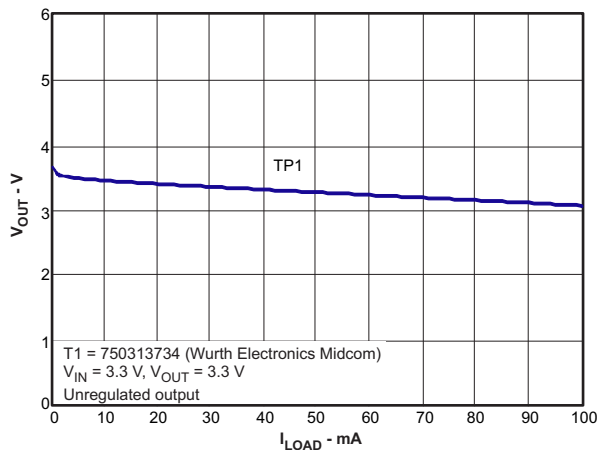


Figure 11. Output Voltage vs Load Current

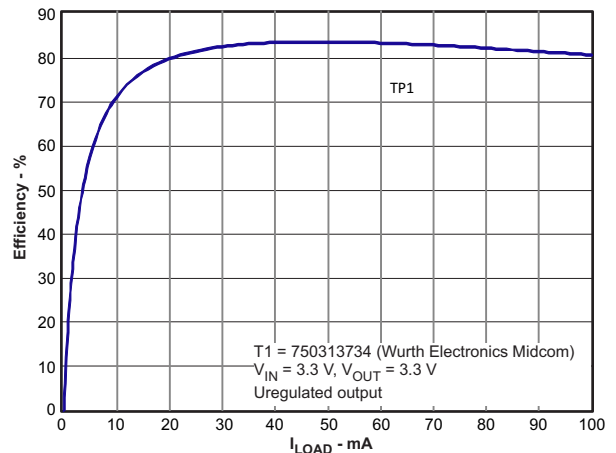


Figure 12. Efficiency vs Load Current

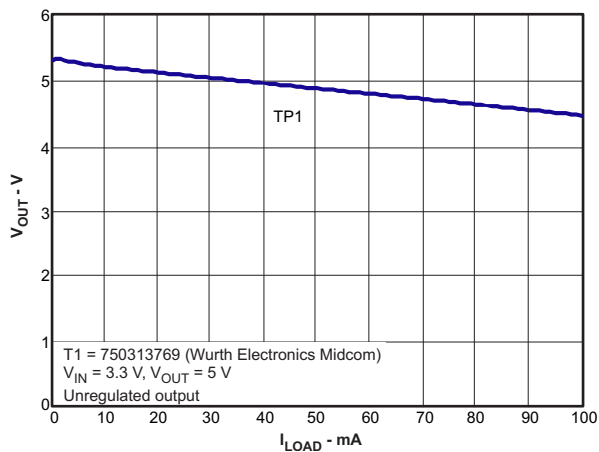


Figure 13. Output Voltage vs Load Current

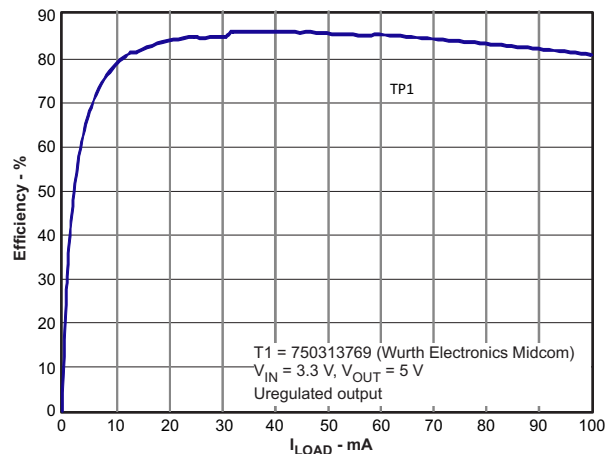


Figure 14. Efficiency vs Load Current

TYPICAL OPERATING CHARACTERISTICS (continued)

Typical Curves in Figure 3 through Figure 14 are measured with Circuit in Figure 67 at TP1; whereas, Typical Curves in Figure 15 through Figure 54 are measured with Circuit in Figure 68 at TP1 and TP2 ($T_A = 25^\circ\text{C}$ unless otherwise noted).

See Table 2 and Table 3 for Transformer Specifications.

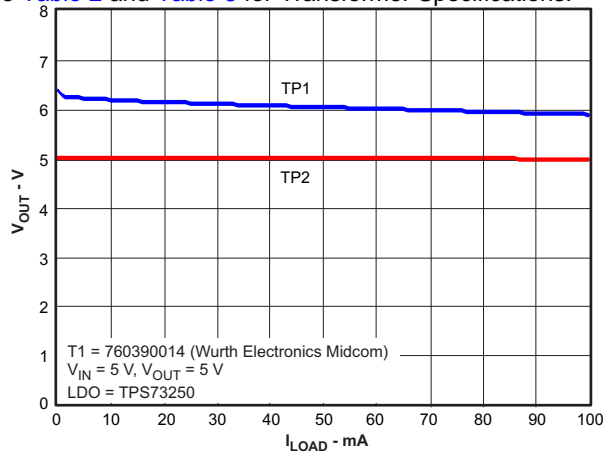


Figure 15. Output Voltage vs Load Current

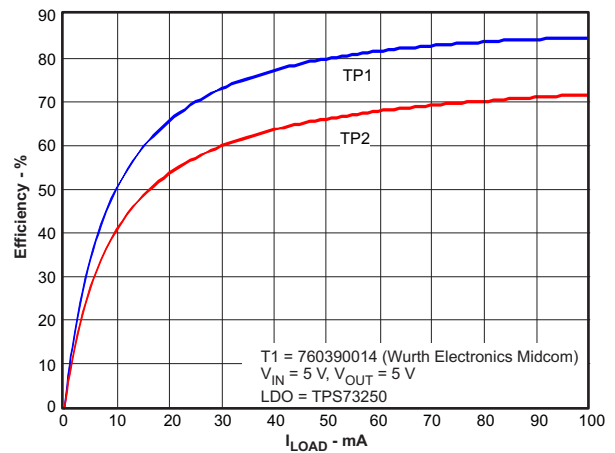


Figure 16. Efficiency vs Load Current

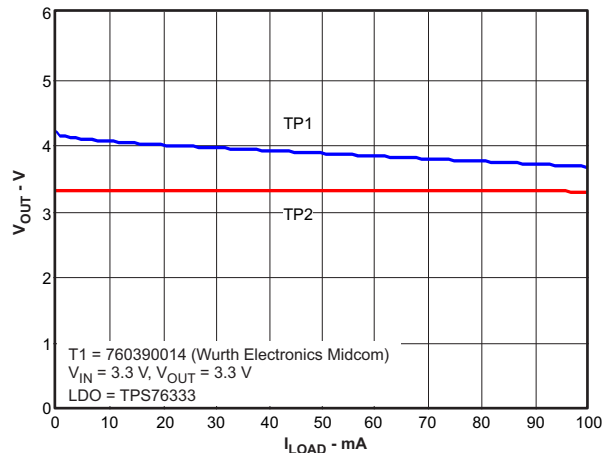


Figure 17. Output Voltage vs Load Current

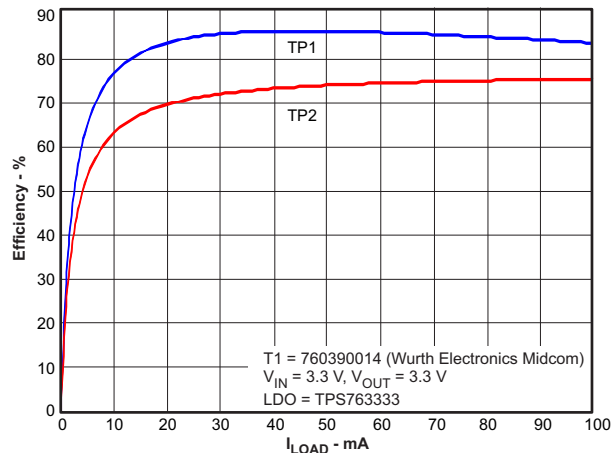


Figure 18. Efficiency vs Load Current

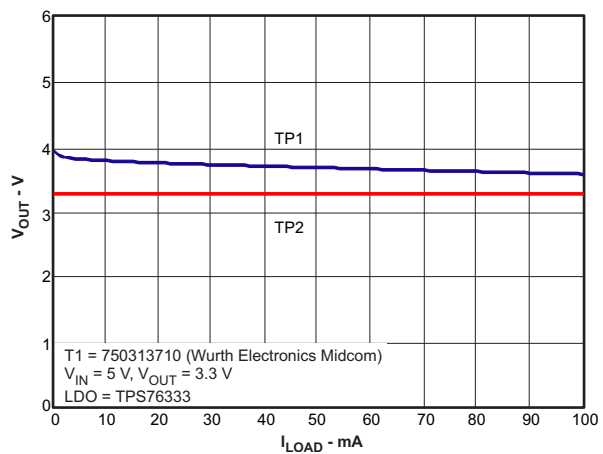


Figure 19. Output Voltage vs Load Current

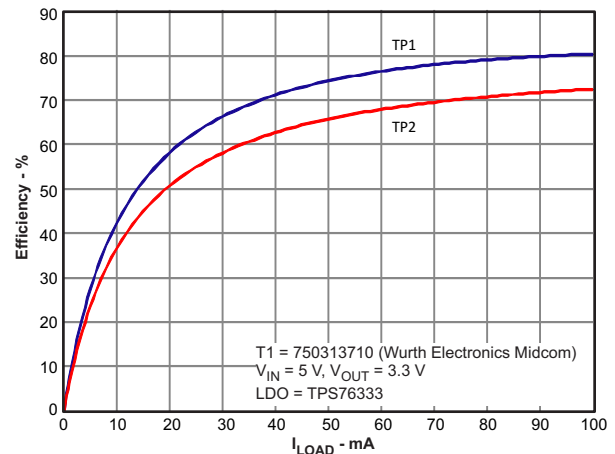


Figure 20. Efficiency vs Load Current

TYPICAL OPERATING CHARACTERISTICS (continued)

Typical Curves in Figure 3 through Figure 14 are measured with Circuit in Figure 67 at TP1; whereas, Typical Curves in Figure 15 through Figure 54 are measured with Circuit in Figure 68 at TP1 and TP2 ($T_A = 25^\circ\text{C}$ unless otherwise noted).

See Table 2 and Table 3 for Transformer Specifications.

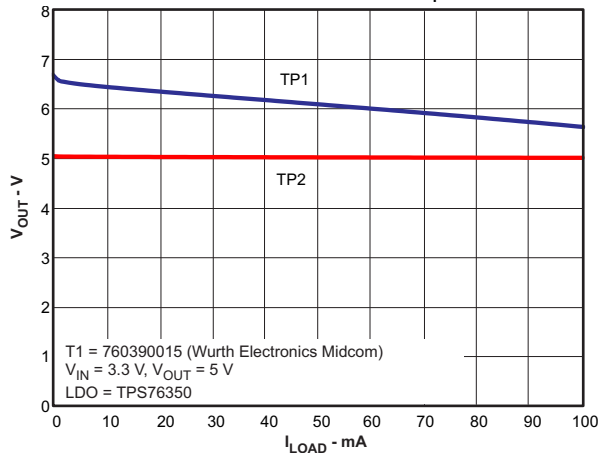


Figure 21. Output Voltage vs Load Current

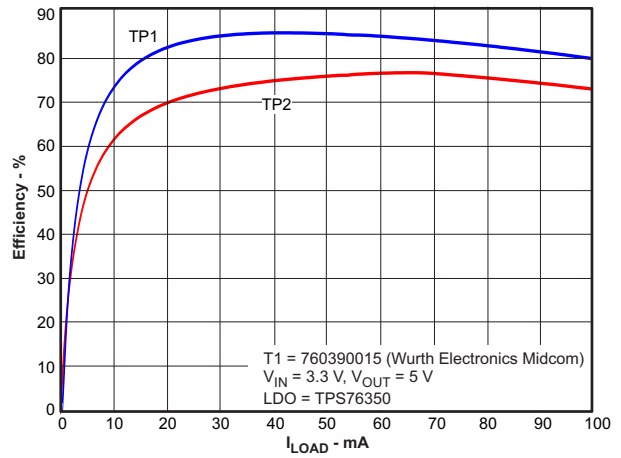


Figure 22. Efficiency vs Load Current

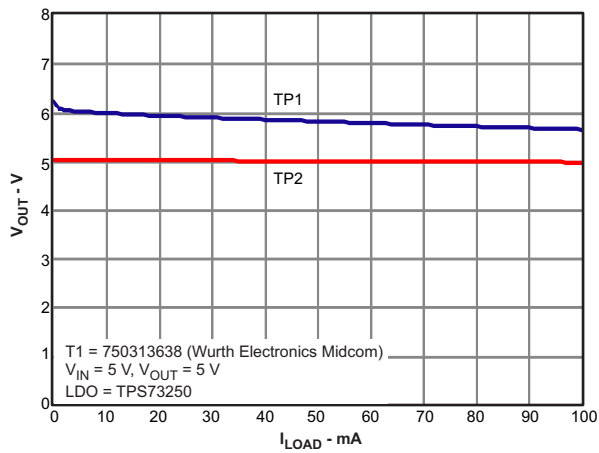


Figure 23. Output Voltage vs Load Current

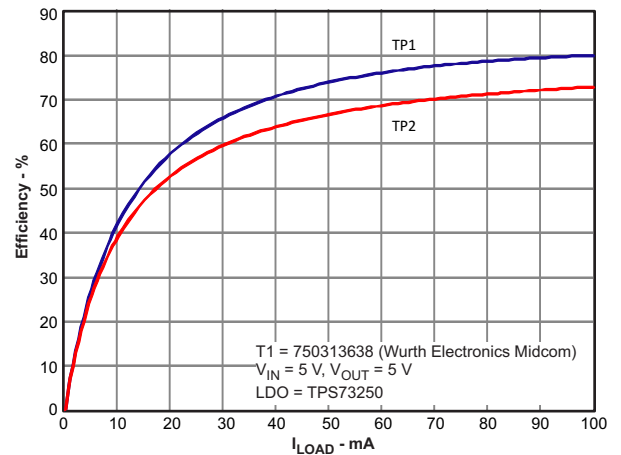


Figure 24. Efficiency vs Load Current

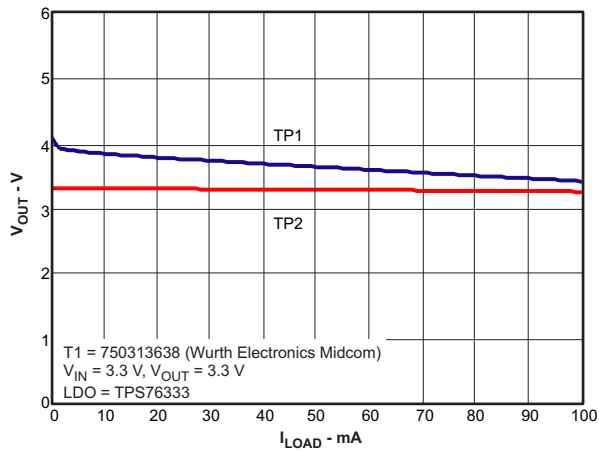


Figure 25. Output Voltage vs Load Current

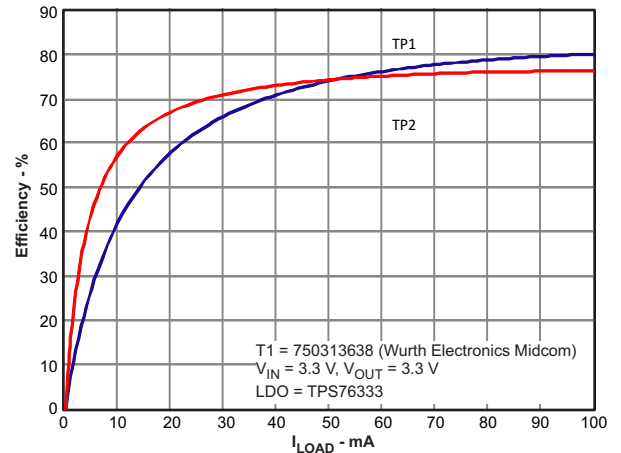


Figure 26. Efficiency vs Load Current

TYPICAL OPERATING CHARACTERISTICS (continued)

Typical Curves in Figure 3 through Figure 14 are measured with Circuit in Figure 67 at TP1; whereas, Typical Curves in Figure 15 through Figure 54 are measured with Circuit in Figure 68 at TP1 and TP2 ($T_A = 25^\circ\text{C}$ unless otherwise noted).

See Table 2 and Table 3 for Transformer Specifications.

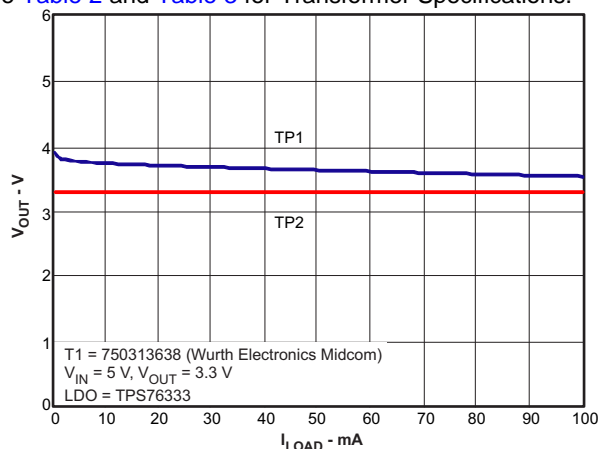


Figure 27. Output Voltage vs Load Current

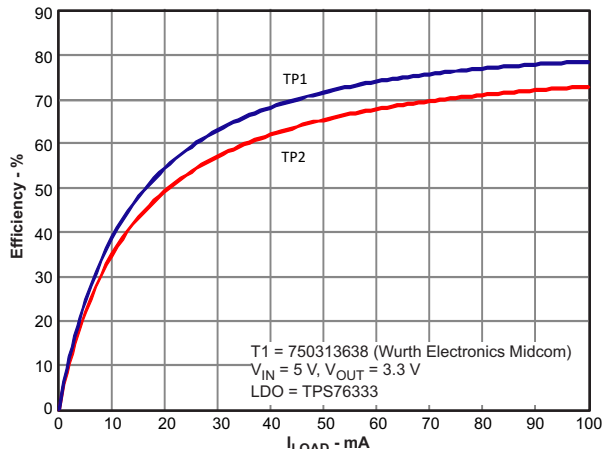


Figure 28. Efficiency vs Load Current

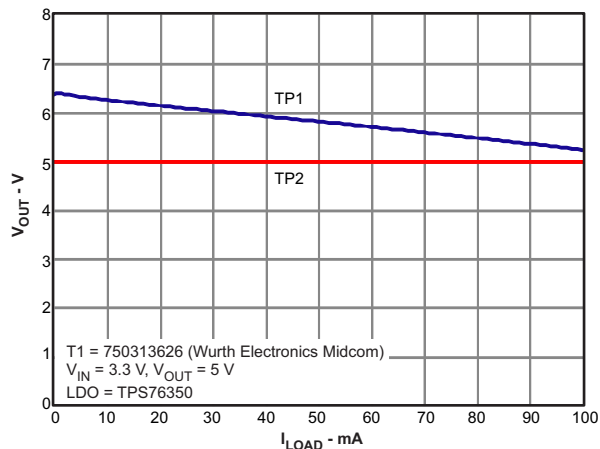


Figure 29. Output Voltage vs Load Current

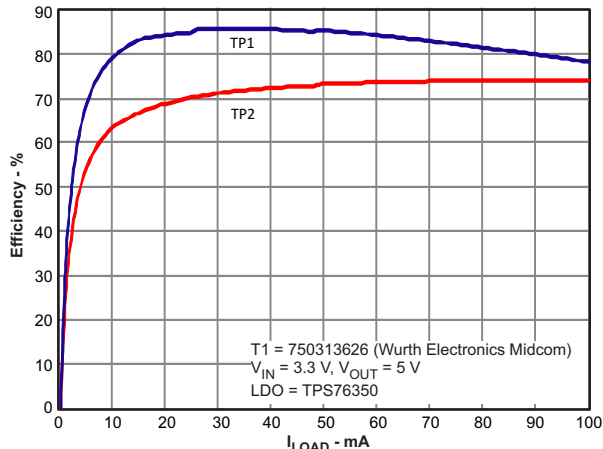


Figure 30. Efficiency vs Load Current

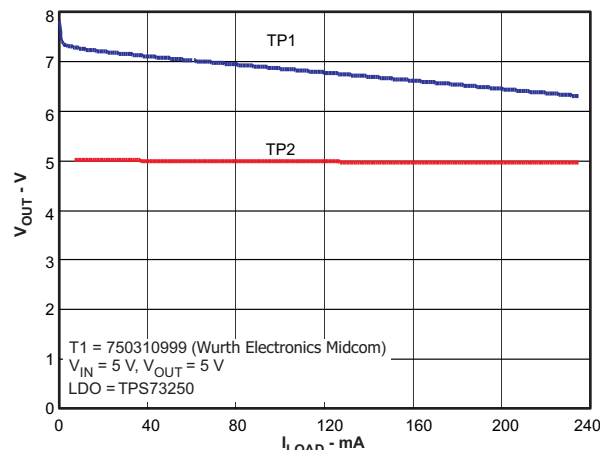


Figure 31. Output Voltage vs Load Current

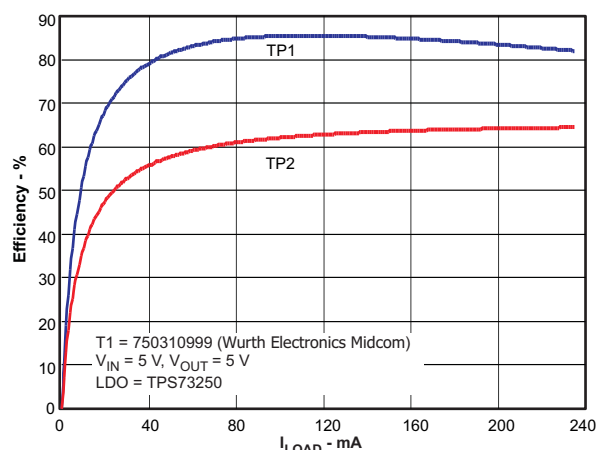


Figure 32. Efficiency vs Load Current

TYPICAL OPERATING CHARACTERISTICS (continued)

Typical Curves in Figure 3 through Figure 14 are measured with Circuit in Figure 67 at TP1; whereas, Typical Curves in Figure 15 through Figure 54 are measured with Circuit in Figure 68 at TP1 and TP2 ($T_A = 25^\circ\text{C}$ unless otherwise noted).

See Table 2 and Table 3 for Transformer Specifications.

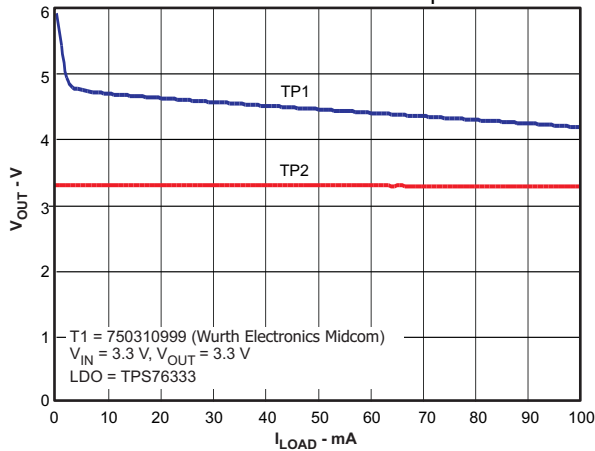


Figure 33. Output Voltage vs Load Current

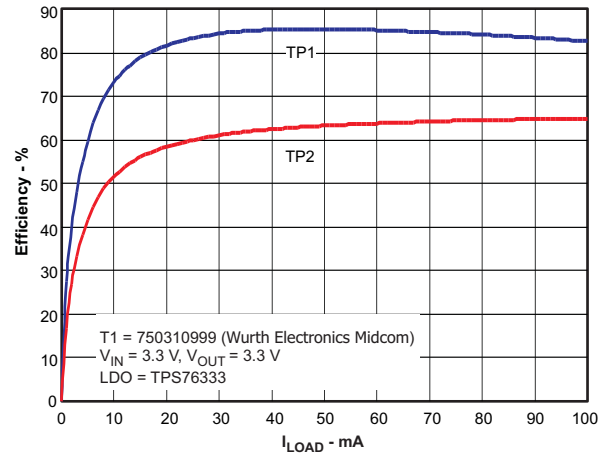


Figure 34. Efficiency vs Load Current

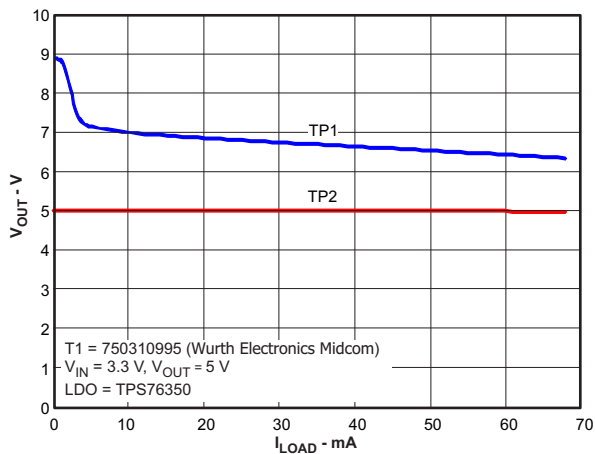


Figure 35. Output Voltage vs Load Current

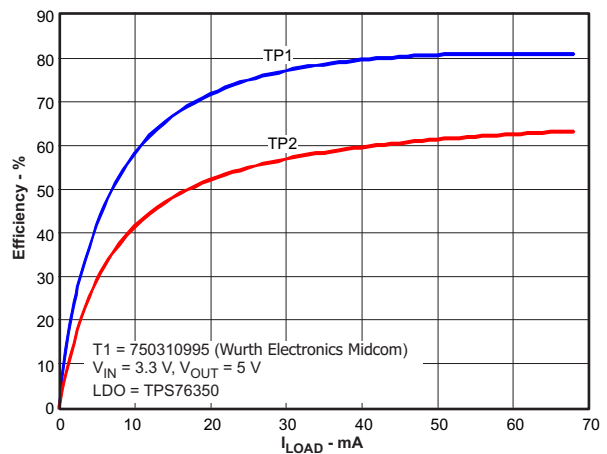


Figure 36. Efficiency vs Load Current

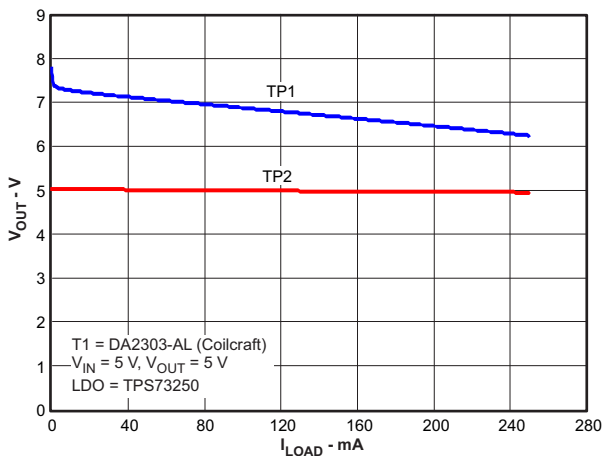


Figure 37. Output Voltage vs Load Current

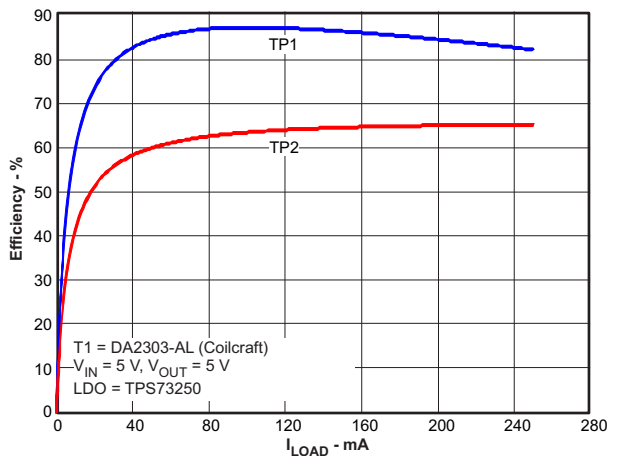


Figure 38. Efficiency vs Load Current

TYPICAL OPERATING CHARACTERISTICS (continued)

Typical Curves in Figure 3 through Figure 14 are measured with Circuit in Figure 67 at TP1; whereas, Typical Curves in Figure 15 through Figure 54 are measured with Circuit in Figure 68 at TP1 and TP2 ($T_A = 25^\circ\text{C}$ unless otherwise noted).

See Table 2 and Table 3 for Transformer Specifications.

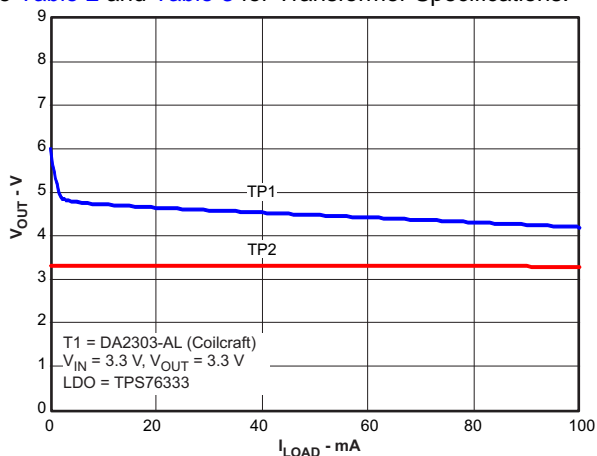


Figure 39. Output Voltage vs Load Current

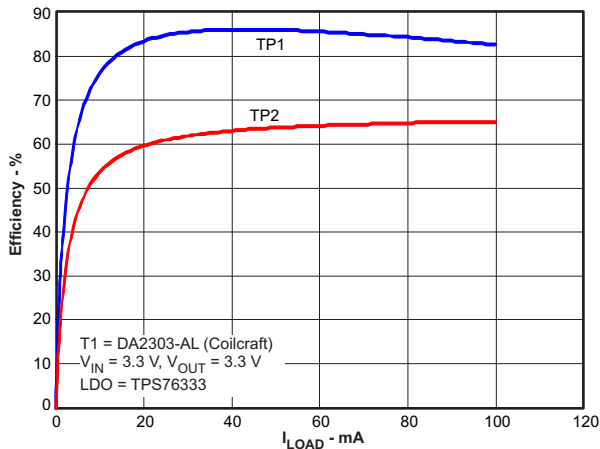


Figure 40. Efficiency vs Load Current

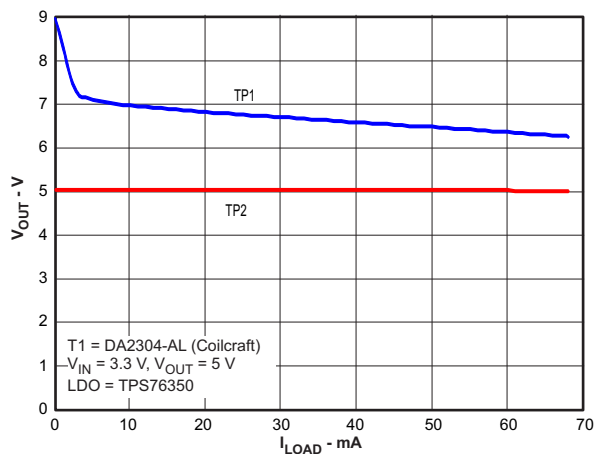


Figure 41. Output Voltage vs Load Current

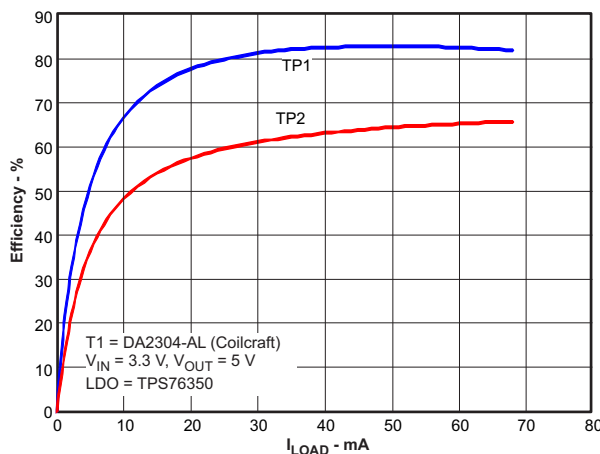


Figure 42. Efficiency vs Load Current

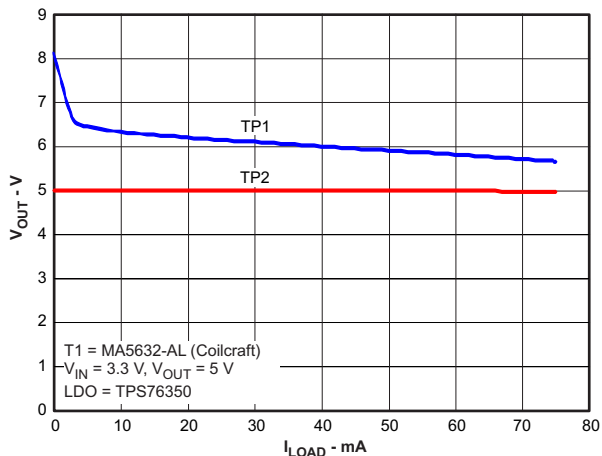


Figure 43. Output Voltage vs Load Current

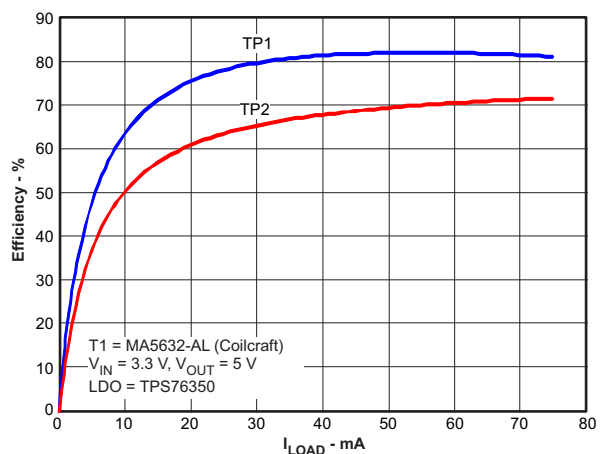


Figure 44. Efficiency vs Load Current

TYPICAL OPERATING CHARACTERISTICS (continued)

Typical Curves in Figure 3 through Figure 14 are measured with Circuit in Figure 67 at TP1; whereas, Typical Curves in Figure 15 through Figure 54 are measured with Circuit in Figure 68 at TP1 and TP2 ($T_A = 25^\circ\text{C}$ unless otherwise noted).

See Table 2 and Table 3 for Transformer Specifications.

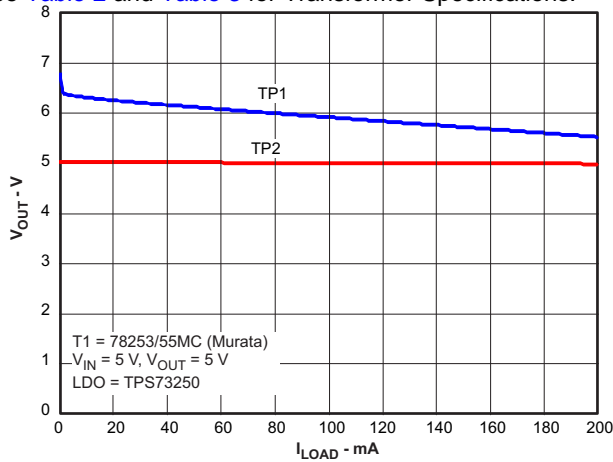


Figure 45. Output Voltage vs Load Current

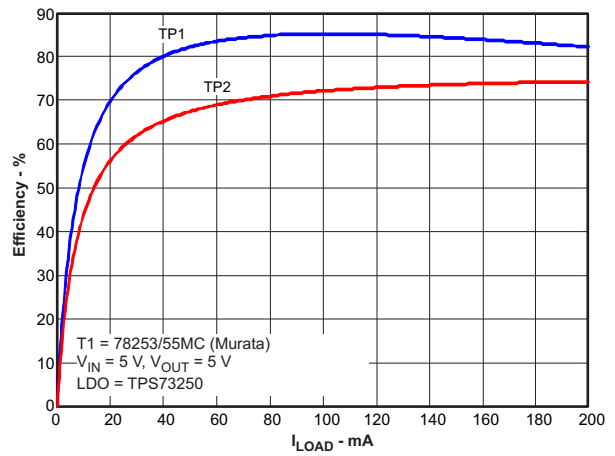


Figure 46. Efficiency vs Load Current

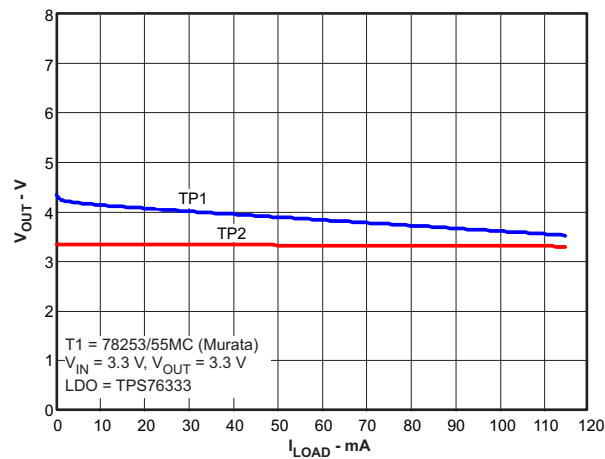


Figure 47. Output Voltage vs Load Current

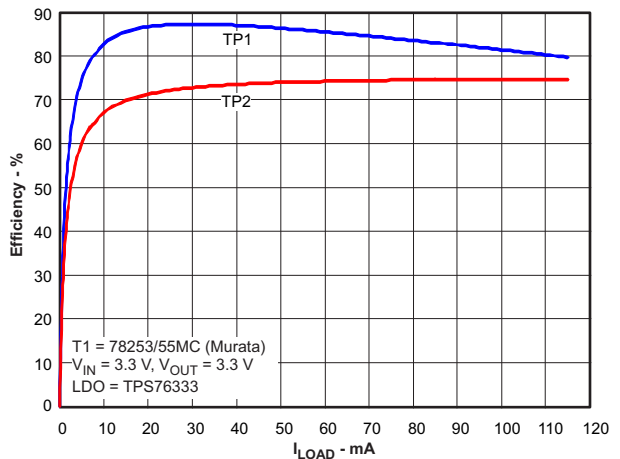


Figure 48. Efficiency vs Load Current

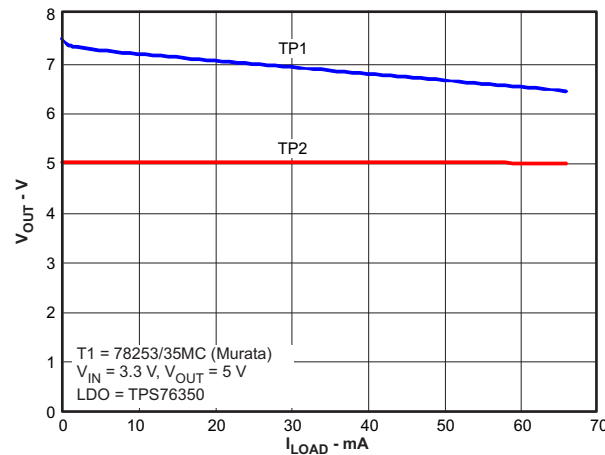


Figure 49. Output Voltage vs Load Current

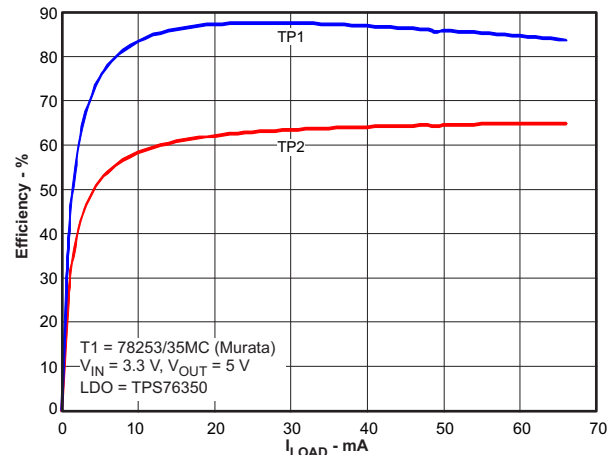


Figure 50. Efficiency vs Load Current

TYPICAL OPERATING CHARACTERISTICS (continued)

Typical Curves in Figure 3 through Figure 14 are measured with Circuit in Figure 67 at TP1; whereas, Typical Curves in Figure 15 through Figure 54 are measured with Circuit in Figure 68 at TP1 and TP2 ($T_A = 25^\circ\text{C}$ unless otherwise noted).

See Table 2 and Table 3 for Transformer Specifications.

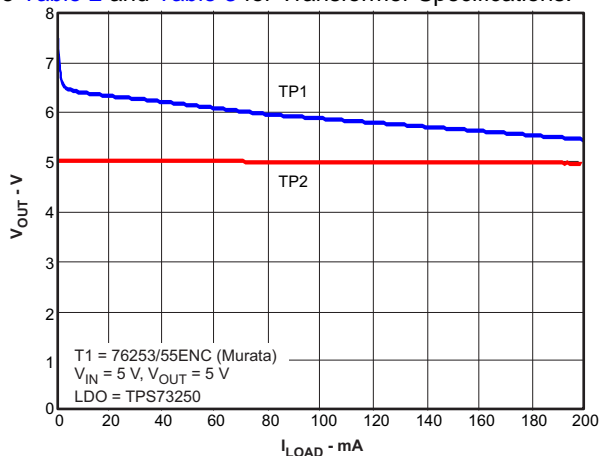


Figure 51. Output Voltage vs Load Current

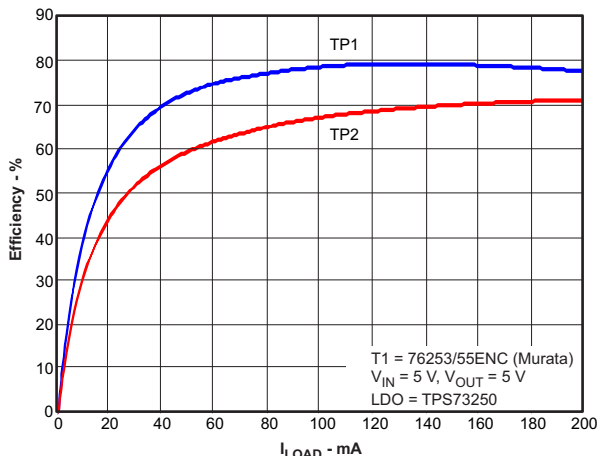


Figure 52. Efficiency vs Load Current

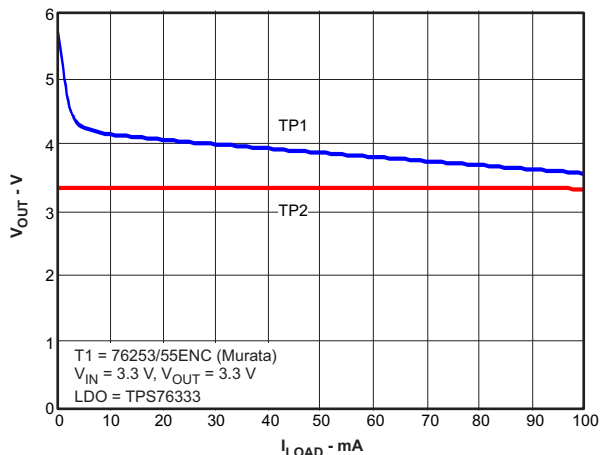


Figure 53. Output Voltage vs Load Current

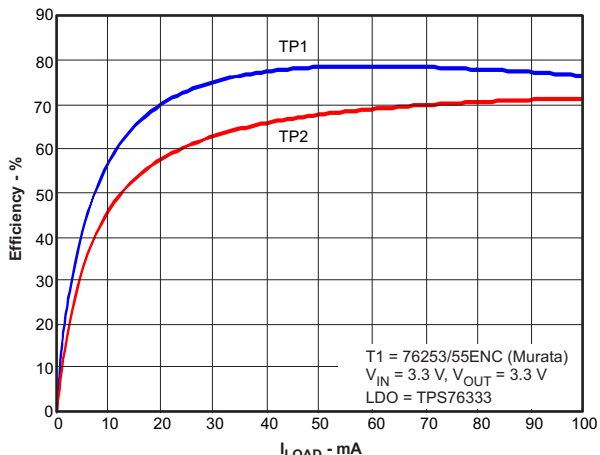


Figure 54. Efficiency vs Load Current

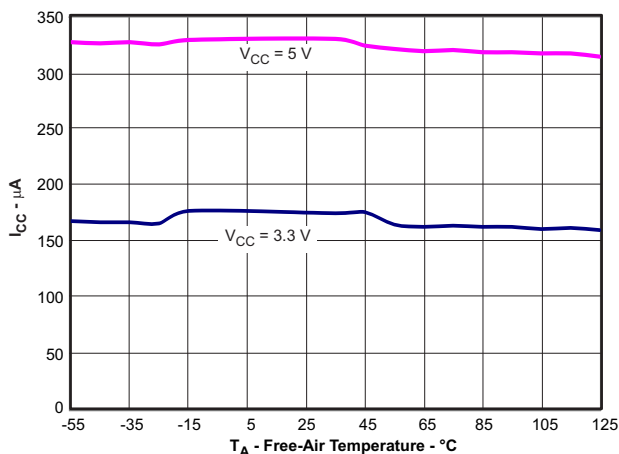


Figure 55. Average Supply Current vs Free-Air Temperature

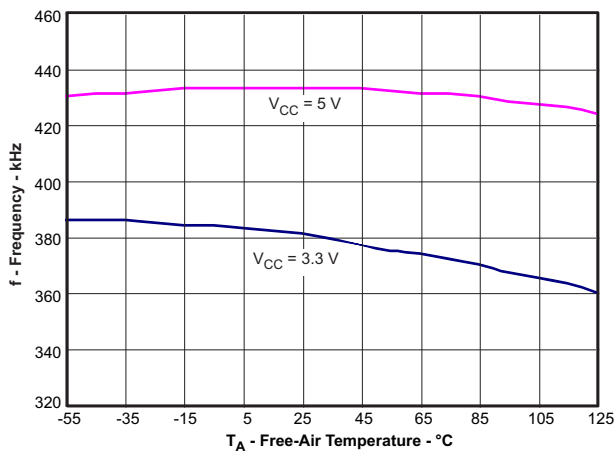


Figure 56. D1, D2 Switching Frequency vs Free-Air Temperature

TYPICAL OPERATING CHARACTERISTICS (continued)

Typical Curves in Figure 3 through Figure 14 are measured with Circuit in Figure 67 at TP1; whereas, Typical Curves in Figure 15 through Figure 54 are measured with Circuit in Figure 68 at TP1 and TP2 ($T_A = 25^\circ\text{C}$ unless otherwise noted).

See Table 2 and Table 3 for Transformer Specifications.

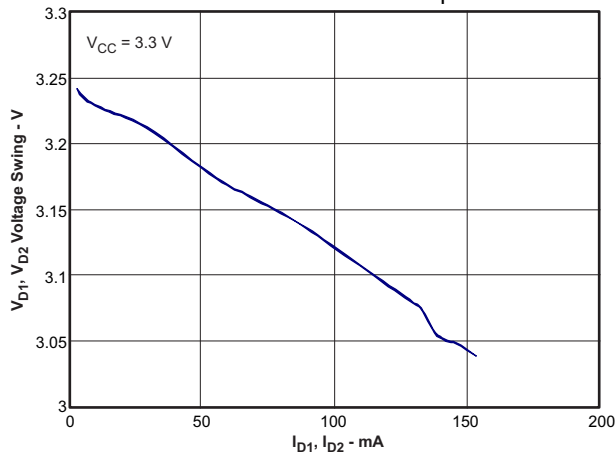


Figure 57. D1, D2 Primary-side Output Switch Voltage Swing vs Current

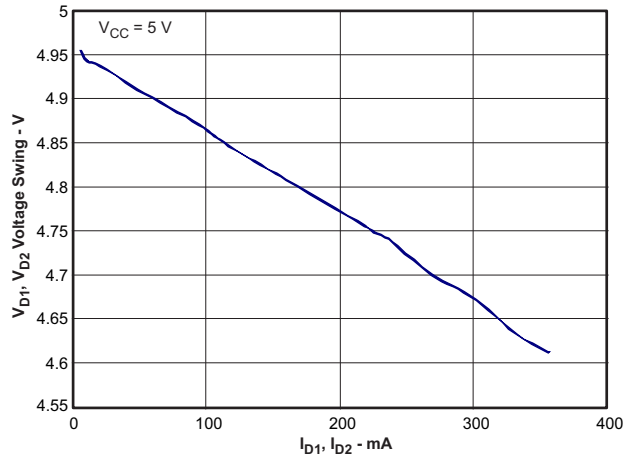


Figure 58. D1, D2 Primary-side Output Switch Voltage Swing vs Current

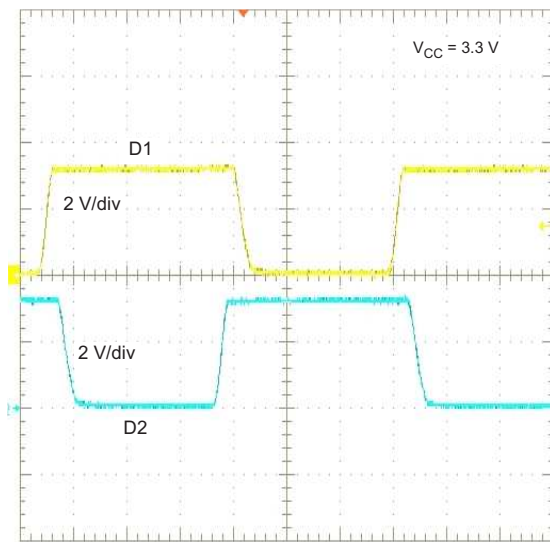


Figure 59. D1, D2 Switching Waveforms

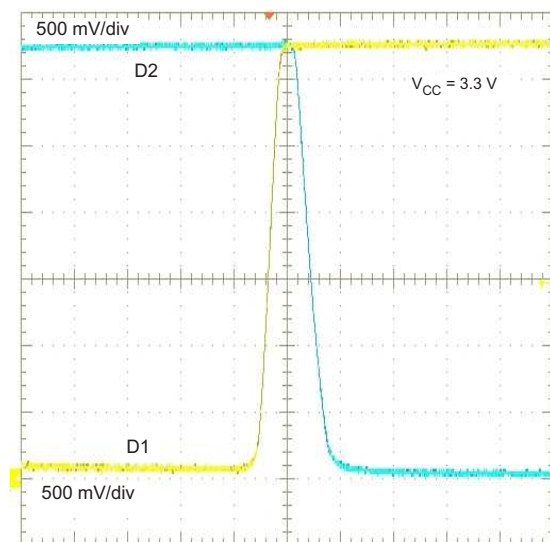


Figure 60. D1, D2 Break-Before-Make Waveform

APPLICATION INFORMATION

The SN6501 is a transformer driver designed for low-cost, small form-factor, isolated DC-DC converters utilizing the push-pull topology. The device includes an oscillator that feeds a gate-drive circuit. The gate-drive, comprising a frequency divider and a break-before-make (BBM) logic, provides two complementary output signals which alternately turn the two output transistors on and off.

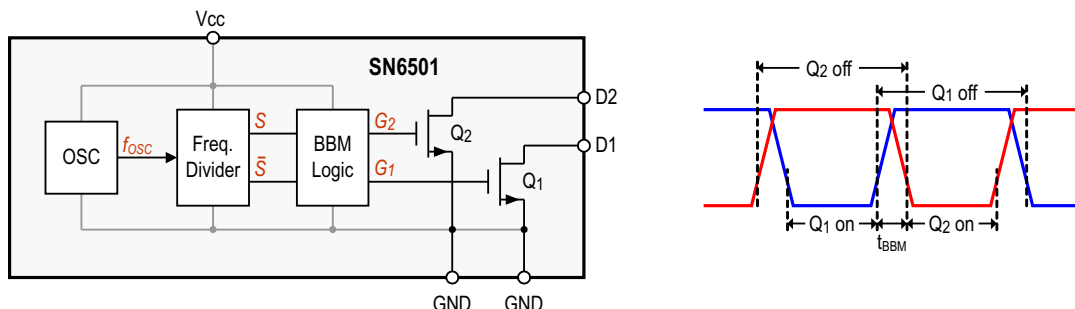


Figure 61. SN6501 Block Diagram and Output Timing with Break-Before-Make Action

The output frequency of the oscillator is divided down by an asynchronous divider that provides two complementary output signals, S and \bar{S} , with a 50% duty cycle. A subsequent break-before-make logic inserts a dead-time between the high-pulses of the two signals. The resulting output signals, G₁ and G₂, present the gate-drive signals for the output transistors Q₁ and Q₂. As shown in Figure 62, before either one of the gates can assume logic high, there must be a short time period during which both signals are low and both transistors are high-impedance. This short period, known as break-before-make time, is required to avoid shorting out both ends of the primary.

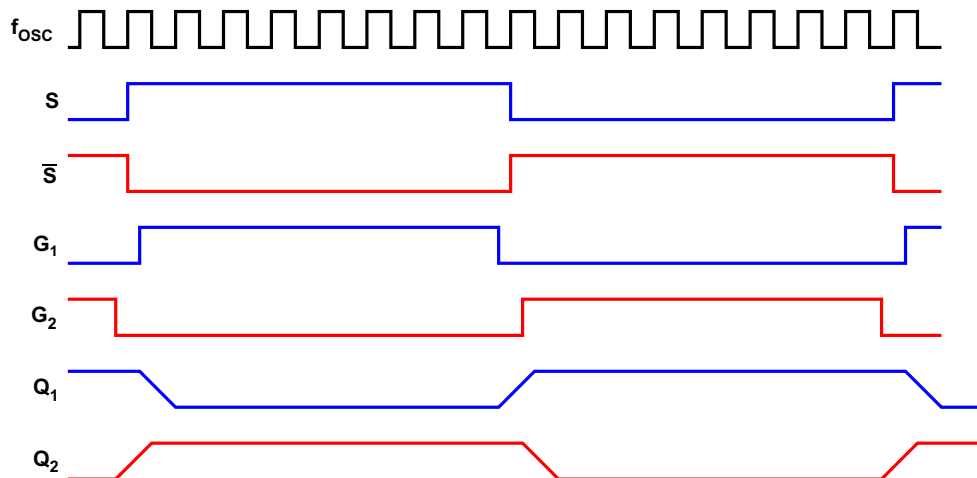
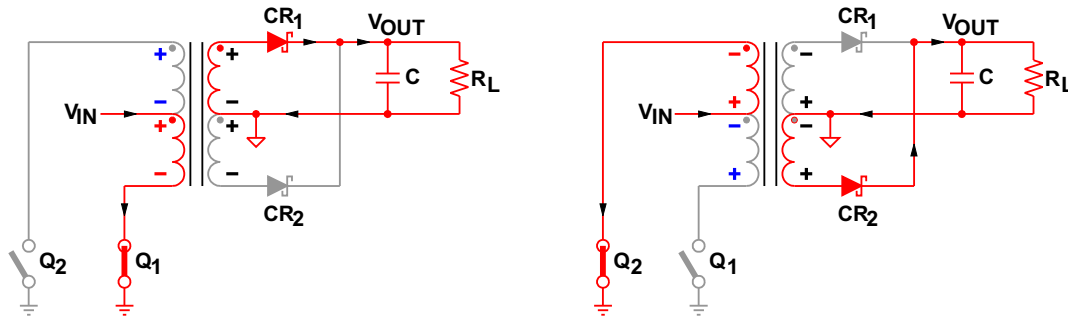


Figure 62. Detailed Output Signal Waveforms

PUSH-PULL CONVERTER

Push-pull converters require transformers with center-taps to transfer power from the primary to the secondary (see Figure 63).


Figure 63. Switching Cycles of a Push-Pull Converter

When Q₁ conducts, V_{IN} drives a current through the lower half of the primary to ground, thus creating a negative voltage potential at the lower primary end with regards to the V_{IN} potential at the center-tap.

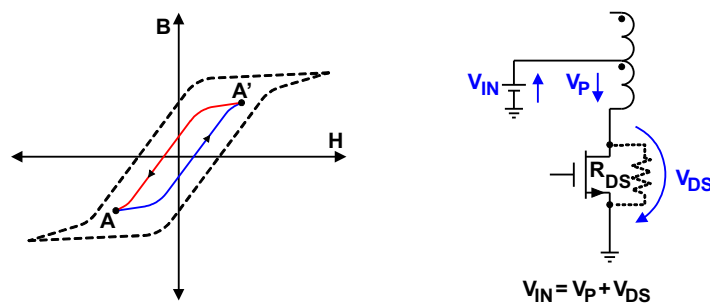
At the same time the voltage across the upper half of the primary is such that the upper primary end is positive with regards to the center-tap in order to maintain the previously established current flow through Q₂, which now has turned high-impedance. The two voltage sources, each of which equaling V_{IN}, appear in series and cause a voltage potential at the open end of the primary of 2×V_{IN} with regards to ground.

Per dot convention the same voltage polarities that occur at the primary also occur at the secondary. The positive potential of the upper secondary end therefore forward biases diode CR₁. The secondary current starting from the upper secondary end flows through CR₁, charges capacitor C, and returns through the load impedance R_L back to the center-tap.

When Q₂ conducts, Q₁ goes high-impedance and the voltage polarities at the primary and secondary reverse. Now the lower end of the primary presents the open end with a 2×V_{IN} potential against ground. In this case CR₂ is forward biased while CR₁ is reverse biased and current flows from the lower secondary end through CR₂, charging the capacitor and returning through the load to the center-tap.

CORE MAGNETIZATION

Figure 64 shows the ideal magnetizing curve for a push-pull converter with B as the magnetic flux density and H as the magnetic field strength. When Q₁ conducts the magnetic flux is pushed from A to A', and when Q₂ conducts the flux is pulled back from A' to A. The difference in flux and thus in flux density is proportional to the product of the primary voltage, V_P, and the time, t_{ON}, it is applied to the primary: $B \approx V_P \times t_{ON}$.


Figure 64. Core Magnetization and Self-Regulation Through Positive Temperature Coefficient of R_{DS(on)}

This volt-seconds (V-t) product is important as it determines the core magnetization during each switching cycle. If the V-t products of both phases are not identical, an imbalance in flux density swing results with an offset from the origin of the B-H curve. If balance is not restored, the offset increases with each following cycle and the transformer slowly creeps toward the saturation region.

Fortunately, due to the positive temperature coefficient of a MOSFET's on-resistance, the output FETs of the SN6501 have a self-correcting effect on V-t imbalance. In the case of a slightly longer on-time, the prolonged current flow through a FET gradually heats the transistor which leads to an increase in R_{DS-on} . The higher resistance then causes the drain-source voltage, V_{DS} , to rise. Because the voltage at the primary is the difference between the constant input voltage, V_{IN} , and the voltage drop across the MOSFET, $V_P = V_{IN} - V_{DS}$, V_P is gradually reduced and V-t balance restored.

CONVERTER DESIGN

The following recommendations on components selection focus on the design of an efficient push-pull converter with high current drive capability. Contrary to popular belief, the output voltage of the unregulated converter output drops significantly over a wide range in load current. The characteristic curve in [Figure 41](#) for example shows that the difference between V_{OUT} at minimum load and V_{OUT} at maximum load exceeds a transceiver's supply range. Therefore, in order to provide a stable, load independent supply while maintaining maximum possible efficiency the implementation of a low dropout regulator (LDO) is strongly advised.

The final converter circuit is shown in [Figure 68](#). The measured V_{OUT} and efficiency characteristics for the regulated and unregulated outputs are shown in [Figure 37](#) to [Figure 36](#).

SN6501 DRIVE CAPABILITY

The SN6501 transformer driver is designed for low-power push-pull converters with input and output voltages in the range of 3 V to 5.5 V. While converter designs with higher output voltages are possible, care must be taken that higher turns ratios don't lead to primary currents that exceed the SN6501 specified current limits.

LDO SELECTION

The minimum requirements for a suitable low dropout regulator are:

- Its current drive capability should slightly exceed the specified load current of the application to prevent the LDO from dropping out of regulation. Therefore for a load current of 100 mA, choose a 100 mA to 150 mA LDO. While regulators with higher drive capabilities are acceptable, they also usually possess higher dropout voltages that will reduce overall converter efficiency.
- The internal dropout voltage, V_{DO} , at the specified load current should be as low as possible to maintain efficiency. For a low-cost 150 mA LDO, a V_{DO} of 150 mV at 100 mA is common. Be aware however, that this lower value is usually specified at room temperature and can increase by a factor of 2 over temperature, which in turn will raise the required minimum input voltage.
- The required minimum input voltage preventing the regulator from dropping out of line regulation is given with:

$$V_{I-min} = V_{DO-max} + V_{O-max}$$

This means in order to determine V_I for worst-case condition, the user must take the maximum values for V_{DO} and V_O specified in the LDO data sheet for rated output current (i.e., 100 mA) and add them together. Also specify that the output voltage of the push-pull rectifier at the specified load current is equal or higher than V_{I-min} . If it is not, the LDO will lose line-regulation and any variations at the input will pass straight through to the output. Hence below V_{I-min} the output voltage will follow the input and the regulator behaves like a simple conductor.

- The maximum regulator input voltage must be higher than the rectifier output under no-load. Under this condition there is no secondary current reflected back to the primary, thus making the voltage drop across R_{DS-on} negligible and allowing the entire converter input voltage to drop across the primary. At this point the secondary reaches its maximum voltage of

$$V_{S-max} = V_{IN-max} \times n$$

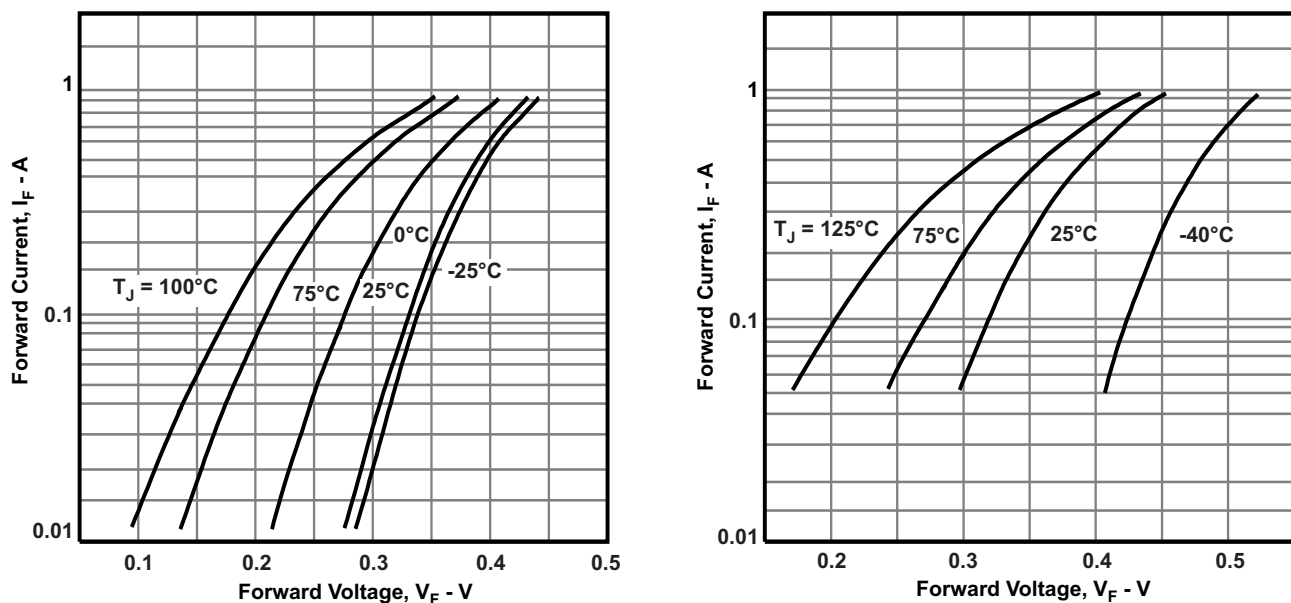
with V_{IN-max} as the maximum converter input voltage and n as the transformer turns ratio. Thus to prevent the LDO from damage the maximum regulator input voltage must be higher than V_{S-max} . [Table 1](#) lists the maximum secondary voltages for various turns ratios commonly applied in push-pull converters with 100 mA output drive.

Table 1. Required maximum LDO Input Voltages for Various Push-pull Configurations

PUSH-PULL CONVERTER				LDO
CONFIGURATION	V_{IN-max} [V]	TURNS-RATIO	V_{S-max} [V]	V_{I-max} [V]
$3.3 V_{IN}$ to $3.3 V_{OUT}$	3.6	$1.5 \pm 3\%$	5.6	6 to 10
$3.3 V_{IN}$ to $5 V_{OUT}$	3.6	$2.2 \pm 3\%$	8.2	10
$5 V_{IN}$ to $5 V_{OUT}$	5.5	$1.5 \pm 3\%$	8.5	10

DIODE SELECTION

A rectifier diode should always possess low-forward voltage to provide as much voltage to the converter output as possible. When used in high-frequency switching applications, such as the SN6501 however, the diode must also possess a short recovery time. Schottky diodes meet both requirements and are therefore strongly recommended in push-pull converter designs. An excellent choice for low-volt applications is the MBR0520L with a typical forward voltage of 275 mV at 100 mA forward current. For higher output voltages such as ± 10 V and above use the MBR0530 which provides a higher DC blocking voltage of 30 V.


Figure 65. Diode Forward Characteristics for MBR0520L (left) and MBR0530 (right)

CAPACITOR SELECTION

The capacitors in the converter circuit in [Figure 68](#) are multi-layer ceramic chip (MLCC) capacitors.

As with all high speed CMOS ICs, the SN6501 requires a bypass capacitor in the range of 10 nF to 100 nF.

The input bulk capacitor at the center-tap of the primary supports large currents into the primary during the fast switching transients. For minimum ripple make this capacitor 10 μ F to 22 μ F. In a 2-layer PCB design with a dedicated ground plane, place this capacitor close to the primary center-tap to minimize trace inductance. In a 4-layer board design with low-inductance reference planes for ground and V_{IN} , the capacitor can be placed at the supply entrance of the board. To ensure low-inductance paths use two vias in parallel for each connection to a reference plane or to the primary center-tap.

The bulk capacitor at the rectifier output smoothes the output voltage. Make this capacitor 10 μ F to 22 μ F.

The small capacitor at the regulator input is not necessarily required. However, good analog design practice suggests, using a small value of 47 nF to 100 nF improves the regulator's transient response and noise rejection.

The LDO output capacitor buffers the regulated output for the subsequent isolator and transceiver circuitry. The choice of output capacitor depends on the LDO stability requirements specified in the data sheet. However, in most cases, a low-ESR ceramic capacitor in the range of 4.7 μ F to 10 μ F will satisfy these requirements.

TRANSFORMER SELECTION

V-t Product Calculation

To prevent a transformer from saturation its V-t product must be greater than the maximum V-t product applied by the SN6501. The maximum voltage delivered by the SN6501 is the nominal converter input plus 10%. The maximum time this voltage is applied to the primary is half the period of the lowest frequency at the specified input voltage. Therefore, the transformer's minimum V-t product is determined through:

$$Vt_{\min} \geq V_{IN-\max} \times \frac{T_{\max}}{2} = \frac{V_{IN-\max}}{2 \times f_{\min}} \quad (1)$$

Inserting the numeric values from the data sheet into the equation above yields the minimum V-t products of

$$Vt_{\min} \geq \frac{3.6 \text{ V}}{2 \times 250 \text{ kHz}} = 7.2 \text{ V}\mu\text{s} \quad \text{for 3.3 V, and}$$

$$Vt_{\min} \geq \frac{5.5 \text{ V}}{2 \times 300 \text{ kHz}} = 9.1 \text{ V}\mu\text{s} \quad \text{for 5 V applications.} \quad (2)$$

Common V-t values for low-power center-tapped transformers range from 22 Vμs to 150 Vμs with typical footprints of 10 mm x 12 mm. However, transformers specifically designed for PCMCIA applications provide as little as 11 Vμs and come with a significantly reduced footprint of 6 mm x 6 mm only.

While Vt-wise all of these transformers can be driven by the SN6501, other important factors such as isolation voltage, transformer wattage, and turns ratio must be considered before making the final decision.

Turns Ratio Estimate

Assume the rectifier diodes and linear regulator has been selected. Also, it has been determined that the transformer chosen must have a V-t product of at least 11 Vμs. However, before searching the manufacturer websites for a suitable transformer, the user still needs to know its minimum turns ratio that allows the push-pull converter to operate flawlessly over the specified current and temperature range. This minimum transformation ratio is expressed through the ratio of minimum secondary to minimum primary voltage multiplied by a correction factor that takes the transformer's typical efficiency of 97% into account:

$$V_{P-\min} = V_{IN-\min} - V_{DS-\max} \quad (3)$$

$V_{S-\min}$ must be large enough to allow for a maximum voltage drop, $V_{F-\max}$, across the rectifier diode and still provide sufficient input voltage for the regulator to remain in regulation. From the LDO SELECTION section, this minimum input voltage is known and by adding $V_{F-\max}$ gives the minimum secondary voltage with:

$$V_{S-\min} = V_{F-\max} + V_{DO-\max} + V_{O-\max} \quad (4)$$

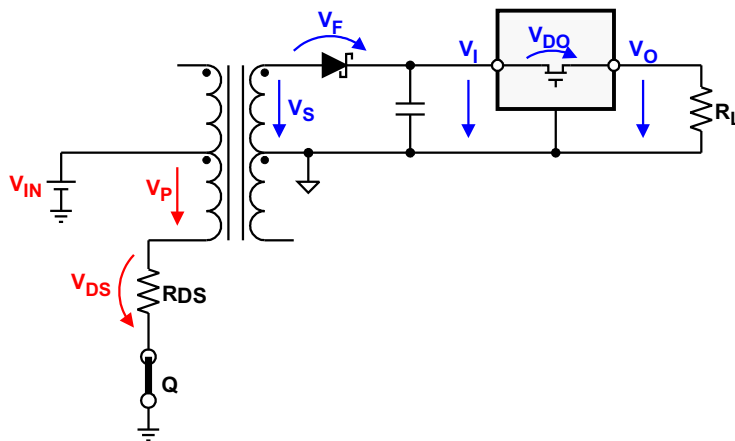


Figure 66. Establishing the Required Minimum Turns Ratio Through $n_{\min} = 1.031 \times V_{S-\min} / V_{P-\min}$

SN6501

SLLS0A0F – FEBRUARY 2012 – REVISED AUGUST 2013

www.ti.com

Then calculating the available minimum primary voltage, V_{P-min} , involves subtracting the maximum possible drain-source voltage of the SN6501, V_{DS-max} , from the minimum converter input voltage V_{IN-min} :

$$V_{P-min} = V_{IN-min} - V_{DS-max} \tag{5}$$

V_{DS-max} however, is the product of the maximum $R_{DS(on)}$ and I_D values for a given supply specified in the SN6501 data sheet:

$$V_{DS-max} = R_{DS-max} \times I_{Dmax} \tag{6}$$

Then inserting Equation 6 into Equation 5 yields:

$$V_{P-min} = V_{IN-min} - R_{DS-max} \times I_{Dmax} \tag{7}$$

and inserting Equation 7 and Equation 4 into Equation 3 provides the minimum turns ration with:

$$n_{min} = 1.031 \times \frac{V_{F-max} + V_{DO-max} + V_{O-max}}{V_{IN-min} - R_{DS-max} \times I_{D-max}} \tag{8}$$

Example:

For a 3.3 V_{IN} to 5 V_{OUT} converter using the rectifier diode MBR0520L and the 5 V LDO TPS76350, the data sheet values taken for a load current of 100 mA and a maximum temperature of 85°C are $V_{F-max} = 0.2$ V, $V_{DO-max} = 0.2$ V, and $V_{O-max} = 5.175$ V.

Then assuming that the converter input voltage is taken from a 3.3 V controller supply with a maximum $\pm 2\%$ accuracy makes $V_{IN-min} = 3.234$ V. Finally the maximum values for drain-source resistance and drain current at 3.3 V are taken from the SN6501 data sheet with $R_{DS-max} = 3 \Omega$ and $I_{D-max} = 150$ mA.

Inserting the values above into Equation 8 yields a minimum turns ratio of:

$$n_{min} = 1.031 \times \frac{0.2V + 0.2V + 5.175 V}{3.234 V - 3 \Omega \times 150 mA} = 2 \tag{9}$$

Most commercially available transformers for 3-to-5 V push-pull converters offer turns ratios between 2.0 and 2.3 with a common tolerance of $\pm 3\%$.

Recommended Transformers

Depending on the application, use the minimum configuration in Figure 67 or standard configuration in Figure 68.

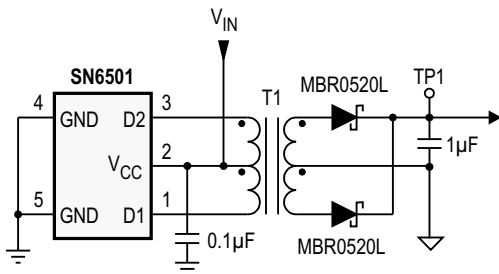


Figure 67. Unregulated Output for Low-Current Loads with Wide Supply Range

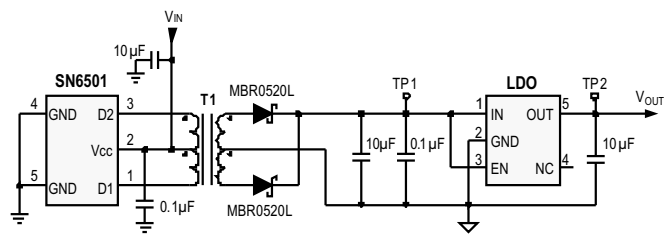


Figure 68. Regulated Output for Stable Supplies and High Current Loads

The Würth Electronics Midcom isolation transformers in Table 2 are optimized designs for the SN6501, providing high efficiency and small form factor at low-cost.

The 1:1.1 and 1:1.7 turns-ratios are designed for logic applications with wide supply rails and low load currents. These applications operate without LDO, thus achieving further cost-reduction.

Table 2. Recommended Isolation Transformers Optimized for SN6501

Turns Ratio	V x T (V μ s)	Isolation (V _{RMS})	Dimensions (mm)	Application	LDO	Figures	Order No.	Manufacturer
1:1.1	11	2500	6.73 x 10.05 x 4.19	5V → 5V	No	Figure 3 Figure 4	760390012	Wurth Electronics Midcom
1:1.1	7	2500	6.73 x 10.05 x 4.19	3.3V → 3.3V	No	Figure 5 Figure 6	760390011	
1:1.7	11	2500	6.73 x 10.05 x 4.19	3.3V → 5V	No	Figure 7 Figure 8	760390013	
1:1.1	11	5000	9.14 x 12.7 x 7.37	5V → 5V 3.3V → 3.3V	No	Figure 9 Figure 10 Figure 11 Figure 12	750313734	
1:1.7	11	5000	9.14 x 12.7 x 7.37	3.3V → 5V	No	Figure 13 Figure 14	750313769	
1:1.3	11	2500	6.73 x 10.05 x 4.19	5V → 5V 3.3V → 3.3V	Yes	Figure 15 Figure 16 Figure 17 Figure 18	760390014	
1:23:1	11	2500	6.73 x 10.05 x 4.19	5V → 3.3V	Yes	Figure 19 Figure 20	750313710	
1:2.0	11	2500	6.73 x 10.05 x 4.19	3.3V → 5V	Yes	Figure 21 Figure 22	760390015	
1:1.3	11	5000	9.14 x 12.7 x 7.37	5V → 5V 3.3V → 3.3V	Yes	Figure 23 Figure 24 Figure 25 Figure 26 Figure 27 Figure 28	750313638	
1.3:1				5V → 3.3V				
1:2	11	5000	9.14 x 12.7 x 7.37	3.3V → 5V	Yes	Figure 29 Figure 30	750313626	

Other isolation transformers that have been tested with SN6501 are listed in [Table 3](#).

Table 3. Standard Isolation Transformers Tested With SN6501

Turns Ratio	V x T (V μ s)	Isolation (V) ⁽¹⁾	Dimensions (mm)	Application	LDO	Figures	Order No.	Manufacturer
1:1.5	11	2500	10 x 12.07 x 5.97	5V → 5V 3.3V → 3.3V	Yes	Figure 31 Figure 32 Figure 33 Figure 34	750310999	Wurth Electronics Midcom
1:2.2	11	2500	10 x 12.07 x 5.97	3.3V → 5V	Yes	Figure 35 Figure 36	750310995	
1:1.5	34.4	2500	10 x 12.7 x 5.97	5V → 5V 3.3V → 3.3V	Yes	Figure 37 Figure 38 Figure 39 Figure 40	DA2303-AL	Coilcraft
1:2.2	21.5	2500	10 x 12.7 x 5.97	3.3V → 5V	Yes	Figure 41 Figure 42	DA2304-AL	
1:2.0	10.2	2500	10 x 12.7 x 5.97	3.3V → 5V	Yes	Figure 43 Figure 44	MA5632-AL	
1:1.31	50	1500	9 x 12.7 x 6.35	5V → 5V 3.3V → 3.3V	Yes	Figure 45 Figure 46 Figure 47 Figure 48	78253/55MC	Murata
1:2.27	35	1500	9 x 12.7 x 6.35	3.3V → 5V	Yes	Figure 49 Figure 50	78253/35MC	
1:1.33	50	6000	15 x 15.0 x 12.5	5V → 5V 3.3V → 3.3V	Yes	Figure 51 Figure 52 Figure 53 Figure 54	76253/55ENC	

(1) Wurth Electronics Midcom and Coilcraft Transformer Isolation ratings are specified in V_{RMS} while Murata Transformers ratings are given in V_{DC}.

HIGHER OUTPUT VOLTAGE DESIGNS

The SN6501 can drive push-pull converters that provide high output voltages of up to 30 V, or bipolar outputs of up to ± 15 V. Using commercially available center-tapped transformers, with their rather low turns ratios of 0.8 to 5, requires different rectifier topologies to achieve high output voltages. Figure 69 to Figure 72 show some of these topologies together with their respective open-circuit output voltages.

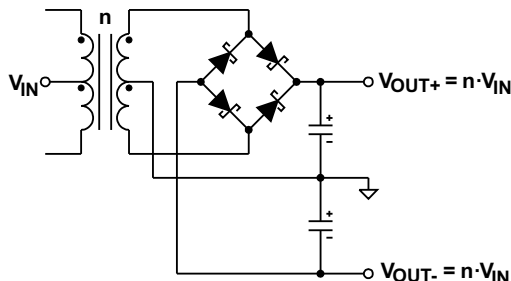


Figure 69. Bridge Rectifier with Center-Tapped Secondary Enables Bipolar Outputs

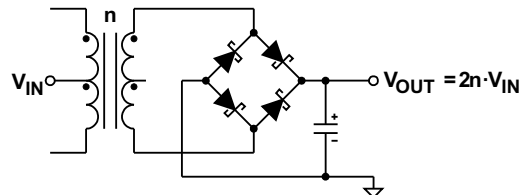


Figure 70. Bridge Rectifier Without Center-Tapped Secondary Performs Voltage Doubling

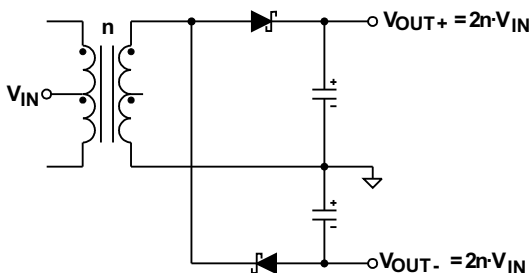


Figure 71. Half-wave Rectifier Without Center-tapped Secondary Performs Voltage Doubling, Centered Ground provides Bipolar Outputs

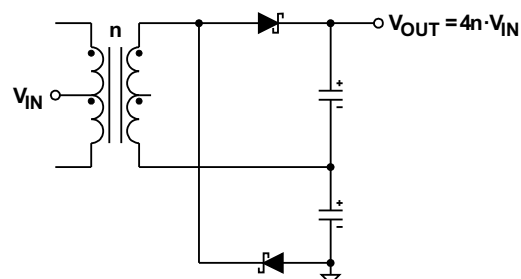


Figure 72. Half-wave Rectifier Without Centered Ground and Center-tapped Secondary Performs Voltage Doubling Twice, Hence Quadrupling V_{IN}

APPLICATION CIRCUITS

The following application circuits are shown for a 3.3 V input supply commonly taken from the local, regulated micro-controller supply. For 5 V input voltages requiring different turn ratios refer to the transformer manufacturers and their websites listed in Table 4.

Table 4. Transformer Manufacturers

Coilcraft Inc.	http://www.coilcraft.com
Halo-Electronics Inc.	http://www.haloelectronics.com
Murata Power Solutions	http://www.murata-ps.com
Würth Electronics Midcom Inc	http://www.midcom-inc.com

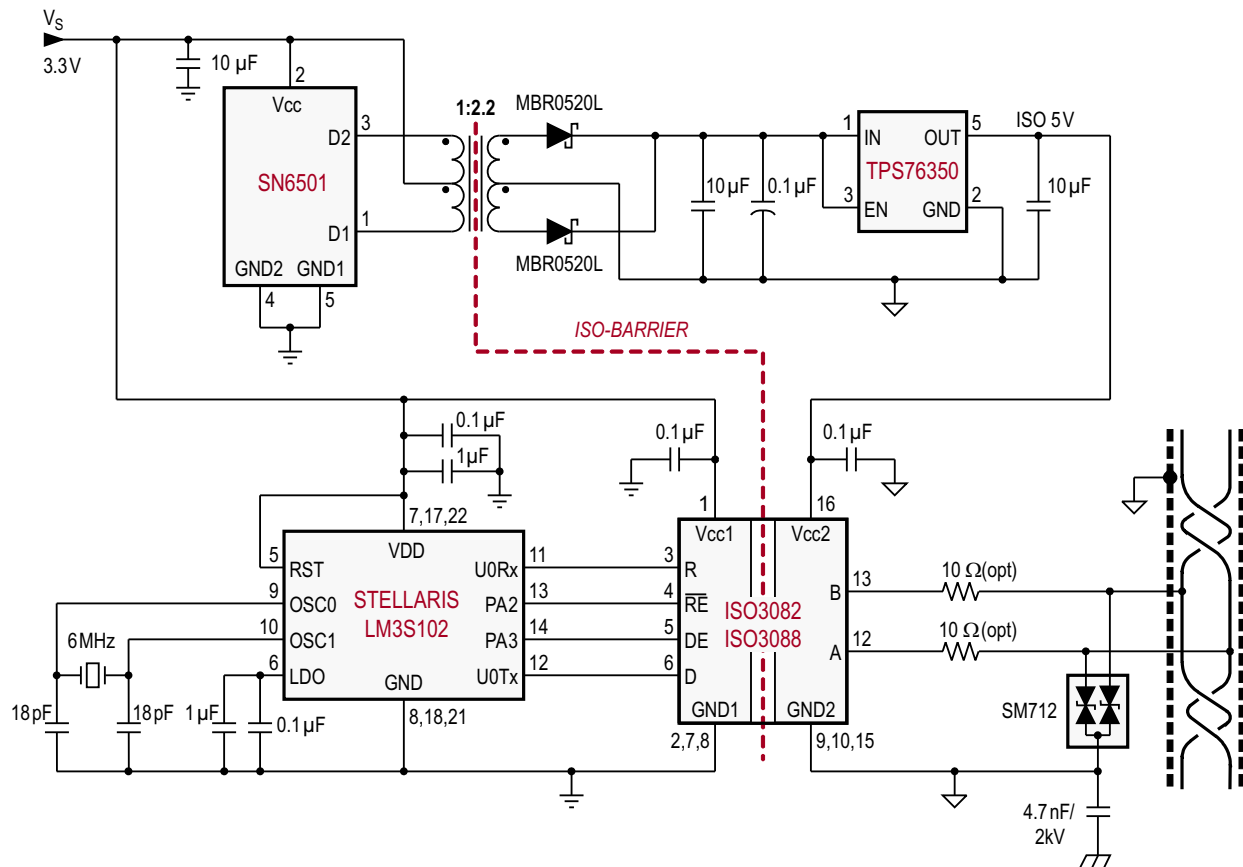


Figure 73. Isolated RS-485 Interface

SN6501

SLLSEA0F – FEBRUARY 2012 – REVISED AUGUST 2013

www.ti.com

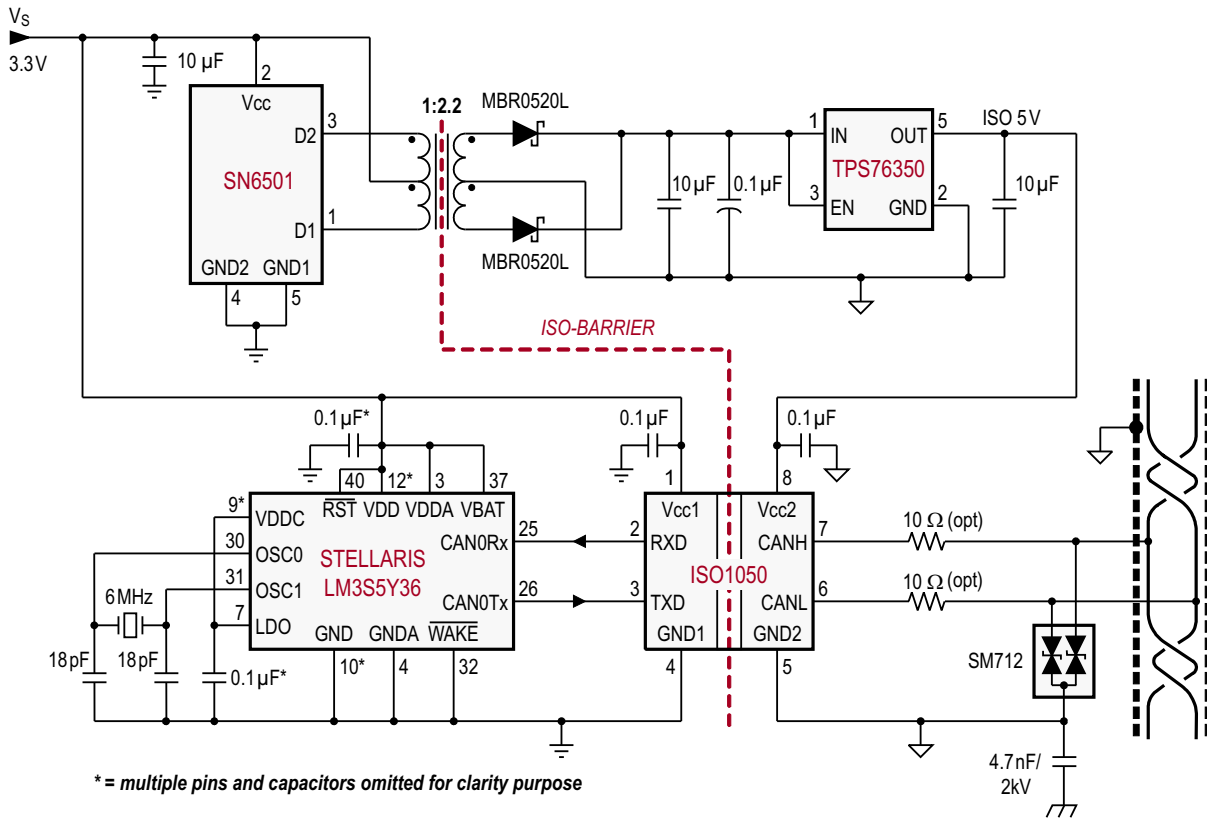


Figure 74. Isolated CAN Interface

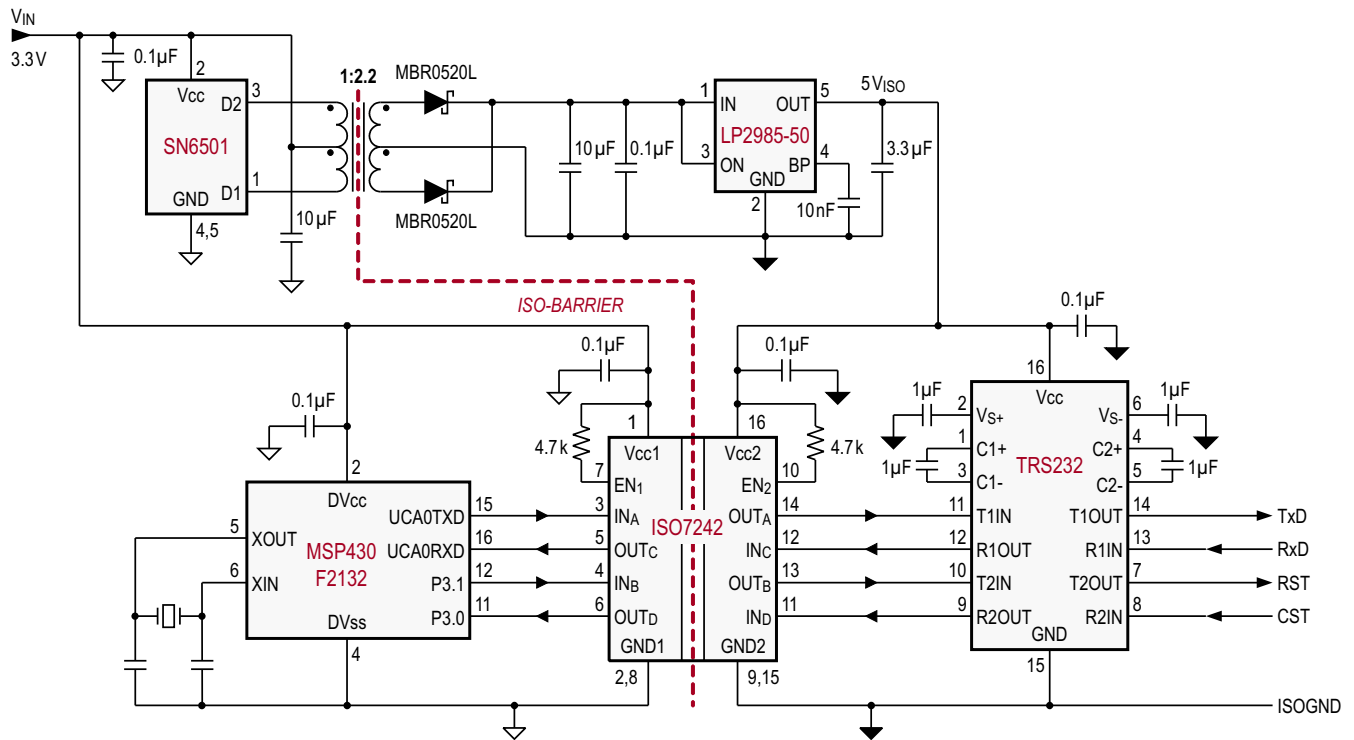


Figure 75. Isolated RS-232 Interface

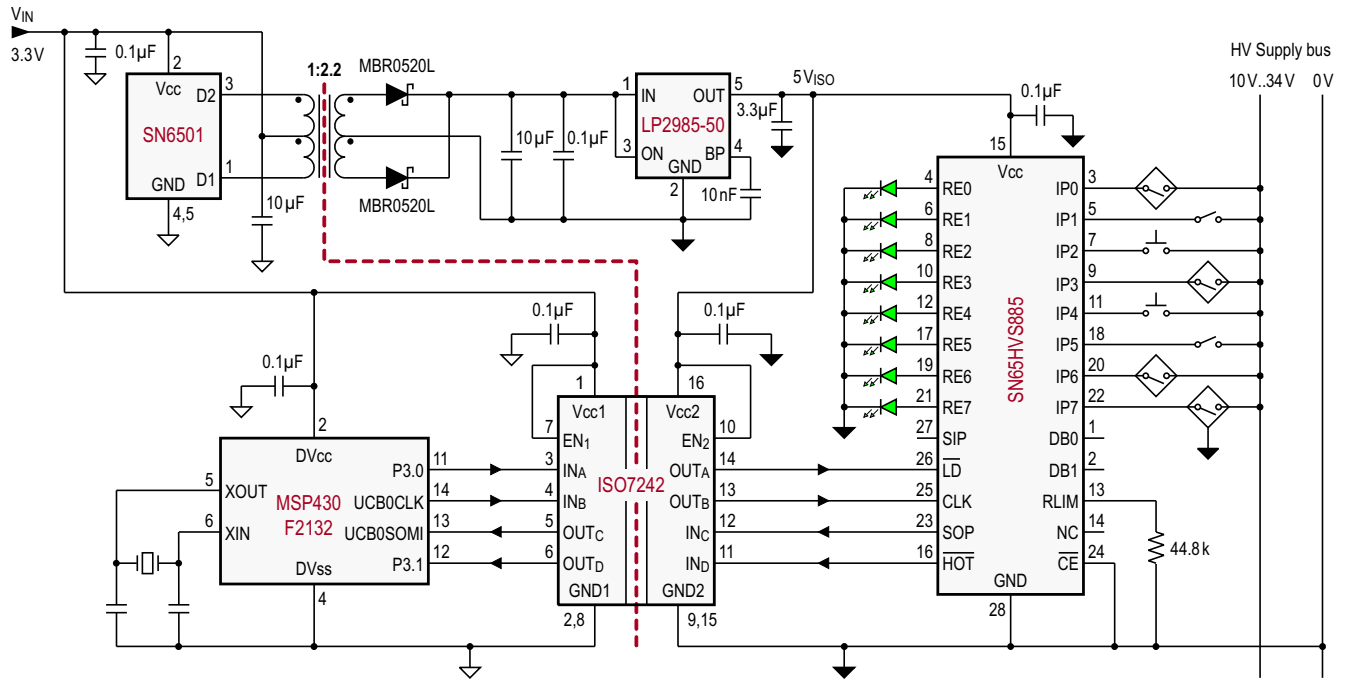


Figure 76. Isolated Digital Input Module

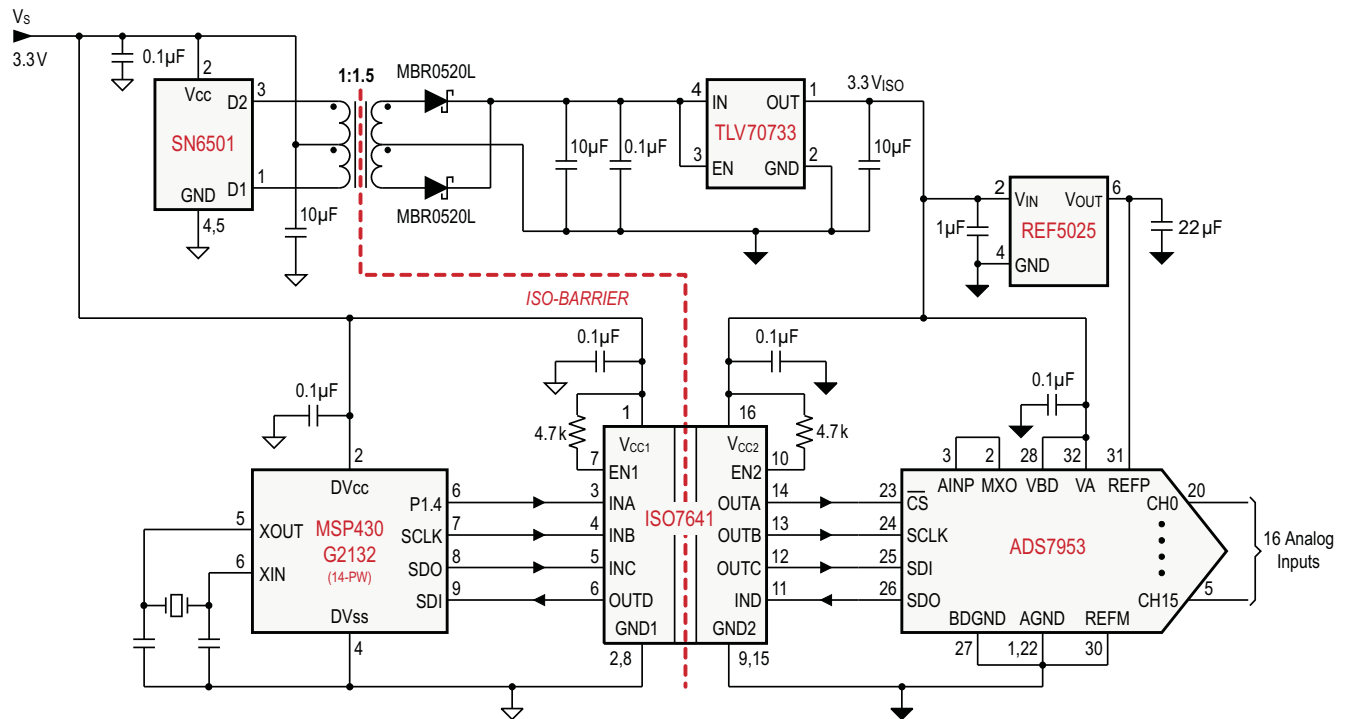


Figure 77. Isolated SPI Interface for an Analog Input Module with 16 Inputs

SN6501

SLLSEA0F – FEBRUARY 2012 – REVISED AUGUST 2013

www.ti.com

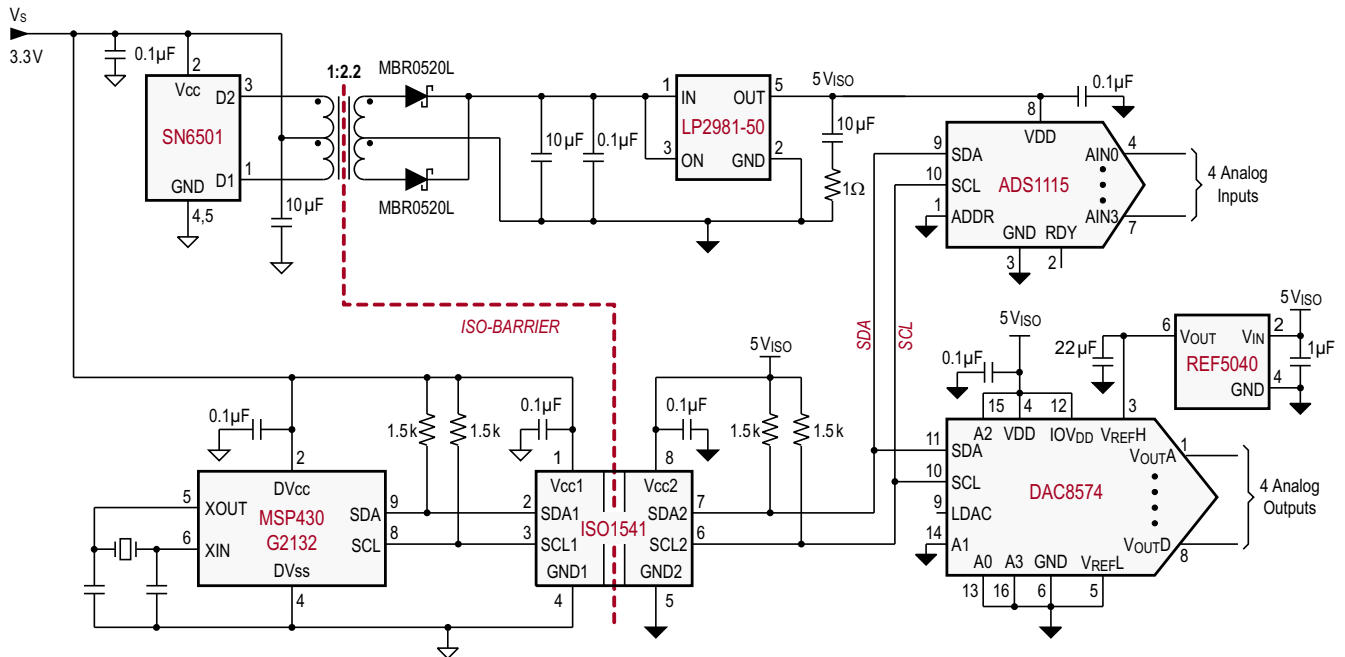


Figure 78. Isolated I2C Interface for an Analog Data Acquisition System with 4 Inputs and 4 Outputs

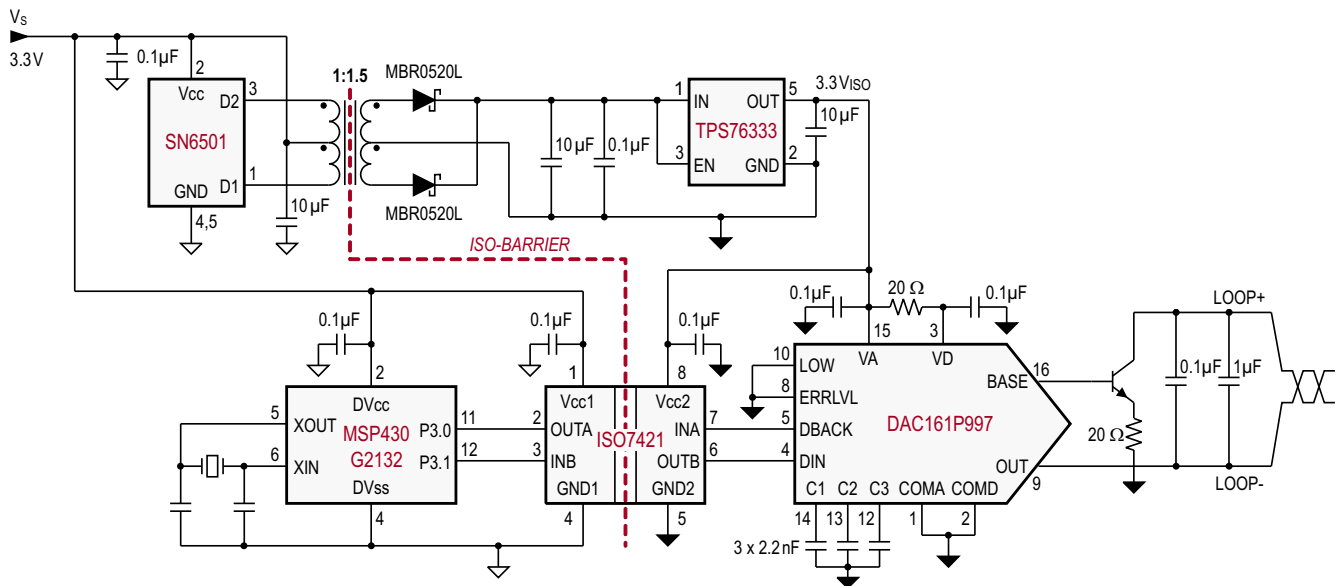


Figure 79. Isolated 4-20mA Current Loop

REVISION HISTORY

Changes from Original (February 2012) to Revision A	Page
• Changed the device From: Product Preview To: Production	1
• Added Figure 31 through Figure 34	9
• Changed Equation 8	20
• Changed Equation 9	20
• Changed Table 4 , From: Wuerth-Elektronik / Midcom To: Wurth Electronics Midcom Inc	22
• Changed Figure 77	25

Changes from Revision A (March 2012) to Revision B	Page
• Changed Feature From: Small 5-pin DBV Package To: Small 5-pin SOT23 Package	1
• Changed Figure 68 title	20

Changes from Revision B (March 2012) to Revision C	Page
• Changed the f_{OSC} Oscillator frequency values	4
• Changed Equation 2	19

Changes from Revision C (March 2012) to Revision D	Page
• Changed f_{OSC} , Oscillator frequency To: f_{SW} , D1, D2 Switching frequency	4
• Added graphs Figure 3 through Figure 8	5
• Added Figure 51 through Figure 54	12
• Changed the title of Figure 56 From: D1, D2 Oscillator Frequency vs Free-Air Temperature To: D1, D2 Switching Frequency vs Free-Air Temperature	13
• Added section: Recommended Transformers	20
• Changed the location and title of Figure 68	20

Changes from Revision D (September 2012) to Revision E	Page
• Changed Figure 22	7

Changes from Revision E (January 2013) to Revision F	Page
• Added Figure 9 through Figure 14	5
• Added Figure 19 and Figure 20	7
• Added Figure 23 through Figure 30	8
• Changed Table 2 - Recommended Isolation Transformers Optimized for SN6501	21

PACKAGING INFORMATION

Orderable Device	Status (1)	Package Type	Package Drawing	Pins	Package Qty	Eco Plan (2)	Lead/Ball Finish	MSL Peak Temp (3)	Op Temp (°C)	Device Marking (4/5)	Samples
SN6501DBVR	ACTIVE	SOT-23	DBV	5	3000	Green (RoHS & no Sb/Br)	CU NIPDAU	Level-1-260C-UNLIM	-40 to 125	6501	Samples
SN6501DBVT	ACTIVE	SOT-23	DBV	5	250	Green (RoHS & no Sb/Br)	CU NIPDAU	Level-1-260C-UNLIM	-40 to 125	6501	Samples

(1) The marketing status values are defined as follows:

ACTIVE: Product device recommended for new designs.

LIFEBUY: TI has announced that the device will be discontinued, and a lifetime-buy period is in effect.

NRND: Not recommended for new designs. Device is in production to support existing customers, but TI does not recommend using this part in a new design.

PREVIEW: Device has been announced but is not in production. Samples may or may not be available.

OBSELETE: TI has discontinued the production of the device.

(2) Eco Plan - The planned eco-friendly classification: Pb-Free (RoHS), Pb-Free (RoHS Exempt), or Green (RoHS & no Sb/Br) - please check <http://www.ti.com/productcontent> for the latest availability information and additional product content details.

TBD: The Pb-Free/Green conversion plan has not been defined.

Pb-Free (RoHS): TI's terms "Lead-Free" or "Pb-Free" mean semiconductor products that are compatible with the current RoHS requirements for all 6 substances, including the requirement that lead not exceed 0.1% by weight in homogeneous materials. Where designed to be soldered at high temperatures, TI Pb-Free products are suitable for use in specified lead-free processes.

Pb-Free (RoHS Exempt): This component has a RoHS exemption for either 1) lead-based flip-chip solder bumps used between the die and package, or 2) lead-based die adhesive used between the die and leadframe. The component is otherwise considered Pb-Free (RoHS compatible) as defined above.

Green (RoHS & no Sb/Br): TI defines "Green" to mean Pb-Free (RoHS compatible), and free of Bromine (Br) and Antimony (Sb) based flame retardants (Br or Sb do not exceed 0.1% by weight in homogeneous material)

(3) MSL, Peak Temp. -- The Moisture Sensitivity Level rating according to the JEDEC industry standard classifications, and peak solder temperature.

(4) There may be additional marking, which relates to the logo, the lot trace code information, or the environmental category on the device.

(5) Multiple Device Markings will be inside parentheses. Only one Device Marking contained in parentheses and separated by a "~" will appear on a device. If a line is indented then it is a continuation of the previous line and the two combined represent the entire Device Marking for that device.

Important Information and Disclaimer:The information provided on this page represents TI's knowledge and belief as of the date that it is provided. TI bases its knowledge and belief on information provided by third parties, and makes no representation or warranty as to the accuracy of such information. Efforts are underway to better integrate information from third parties. TI has taken and continues to take reasonable steps to provide representative and accurate information but may not have conducted destructive testing or chemical analysis on incoming materials and chemicals. TI and TI suppliers consider certain information to be proprietary, and thus CAS numbers and other limited information may not be available for release.

In no event shall TI's liability arising out of such information exceed the total purchase price of the TI part(s) at issue in this document sold by TI to Customer on an annual basis.

OTHER QUALIFIED VERSIONS OF SN6501 :

- Automotive: [SN6501-Q1](#)

NOTE: Qualified Version Definitions:

- Automotive - Q100 devices qualified for high-reliability automotive applications targeting zero defects

TAPE AND REEL INFORMATION



QUADRANT ASSIGNMENTS FOR PIN 1 ORIENTATION IN TAPE



*All dimensions are nominal

Device	Package Type	Package Drawing	Pins	SPQ	Reel Diameter (mm)	Reel Width W1 (mm)	A0 (mm)	B0 (mm)	K0 (mm)	P1 (mm)	W (mm)	Pin1 Quadrant
SN6501DBVR	SOT-23	DBV	5	3000	178.0	9.0	3.23	3.17	1.37	4.0	8.0	Q3
SN6501DBVT	SOT-23	DBV	5	250	178.0	9.0	3.23	3.17	1.37	4.0	8.0	Q3

TAPE AND REEL BOX DIMENSIONS


*All dimensions are nominal

Device	Package Type	Package Drawing	Pins	SPQ	Length (mm)	Width (mm)	Height (mm)
SN6501DBVR	SOT-23	DBV	5	3000	180.0	180.0	18.0
SN6501DBVT	SOT-23	DBV	5	250	180.0	180.0	18.0

DBV (R-PDSO-G5)

PLASTIC SMALL-OUTLINE PACKAGE



- NOTES:
- A. All linear dimensions are in millimeters.
 - B. This drawing is subject to change without notice.
 - C. Body dimensions do not include mold flash or protrusion. Mold flash and protrusion shall not exceed 0.15 per side.
 - D. Falls within JEDEC MO-178 Variation AA.

DBV (R-PDSO-G5)

PLASTIC SMALL OUTLINE



- NOTES:
- A. All linear dimensions are in millimeters.
 - B. This drawing is subject to change without notice.
 - C. Customers should place a note on the circuit board fabrication drawing not to alter the center solder mask defined pad.
 - D. Publication IPC-7351 is recommended for alternate designs.
 - E. Laser cutting apertures with trapezoidal walls and also rounding corners will offer better paste release. Customers should contact their board assembly site for stencil design recommendations. Example stencil design based on a 50% volumetric metal load solder paste. Refer to IPC-7525 for other stencil recommendations.

IMPORTANT NOTICE

Texas Instruments Incorporated and its subsidiaries (TI) reserve the right to make corrections, enhancements, improvements and other changes to its semiconductor products and services per JESD46, latest issue, and to discontinue any product or service per JESD48, latest issue. Buyers should obtain the latest relevant information before placing orders and should verify that such information is current and complete. All semiconductor products (also referred to herein as "components") are sold subject to TI's terms and conditions of sale supplied at the time of order acknowledgment.

TI warrants performance of its components to the specifications applicable at the time of sale, in accordance with the warranty in TI's terms and conditions of sale of semiconductor products. Testing and other quality control techniques are used to the extent TI deems necessary to support this warranty. Except where mandated by applicable law, testing of all parameters of each component is not necessarily performed.

TI assumes no liability for applications assistance or the design of Buyers' products. Buyers are responsible for their products and applications using TI components. To minimize the risks associated with Buyers' products and applications, Buyers should provide adequate design and operating safeguards.

TI does not warrant or represent that any license, either express or implied, is granted under any patent right, copyright, mask work right, or other intellectual property right relating to any combination, machine, or process in which TI components or services are used. Information published by TI regarding third-party products or services does not constitute a license to use such products or services or a warranty or endorsement thereof. Use of such information may require a license from a third party under the patents or other intellectual property of the third party, or a license from TI under the patents or other intellectual property of TI.

Reproduction of significant portions of TI information in TI data books or data sheets is permissible only if reproduction is without alteration and is accompanied by all associated warranties, conditions, limitations, and notices. TI is not responsible or liable for such altered documentation. Information of third parties may be subject to additional restrictions.

Resale of TI components or services with statements different from or beyond the parameters stated by TI for that component or service voids all express and any implied warranties for the associated TI component or service and is an unfair and deceptive business practice. TI is not responsible or liable for any such statements.

Buyer acknowledges and agrees that it is solely responsible for compliance with all legal, regulatory and safety-related requirements concerning its products, and any use of TI components in its applications, notwithstanding any applications-related information or support that may be provided by TI. Buyer represents and agrees that it has all the necessary expertise to create and implement safeguards which anticipate dangerous consequences of failures, monitor failures and their consequences, lessen the likelihood of failures that might cause harm and take appropriate remedial actions. Buyer will fully indemnify TI and its representatives against any damages arising out of the use of any TI components in safety-critical applications.

In some cases, TI components may be promoted specifically to facilitate safety-related applications. With such components, TI's goal is to help enable customers to design and create their own end-product solutions that meet applicable functional safety standards and requirements. Nonetheless, such components are subject to these terms.

No TI components are authorized for use in FDA Class III (or similar life-critical medical equipment) unless authorized officers of the parties have executed a special agreement specifically governing such use.

Only those TI components which TI has specifically designated as military grade or "enhanced plastic" are designed and intended for use in military/aerospace applications or environments. Buyer acknowledges and agrees that any military or aerospace use of TI components which have **not** been so designated is solely at the Buyer's risk, and that Buyer is solely responsible for compliance with all legal and regulatory requirements in connection with such use.

TI has specifically designated certain components as meeting ISO/TS16949 requirements, mainly for automotive use. In any case of use of non-designated products, TI will not be responsible for any failure to meet ISO/TS16949.

Products

Audio	www.ti.com/audio
Amplifiers	amplifier.ti.com
Data Converters	dataconverter.ti.com
DLP® Products	www.dlp.com
DSP	dsp.ti.com
Clocks and Timers	www.ti.com/clocks
Interface	interface.ti.com
Logic	logic.ti.com
Power Mgmt	power.ti.com
Microcontrollers	microcontroller.ti.com
RFID	www.ti-rfid.com
OMAP Applications Processors	www.ti.com/omap
Wireless Connectivity	www.ti.com/wirelessconnectivity

Applications

Automotive and Transportation	www.ti.com/automotive
Communications and Telecom	www.ti.com/communications
Computers and Peripherals	www.ti.com/computers
Consumer Electronics	www.ti.com/consumer-apps
Energy and Lighting	www.ti.com/energy
Industrial	www.ti.com/industrial
Medical	www.ti.com/medical
Security	www.ti.com/security
Space, Avionics and Defense	www.ti.com/space-avionics-defense
Video and Imaging	www.ti.com/video

TI E2E Community

e2e.ti.com