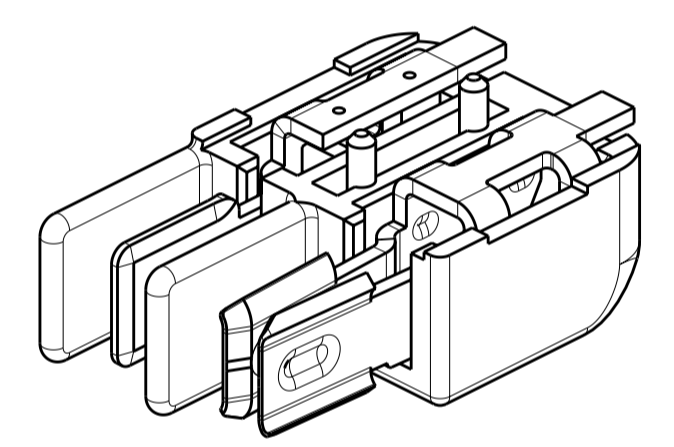
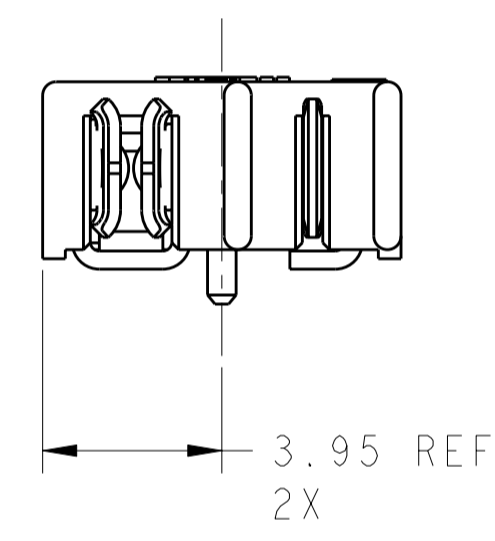
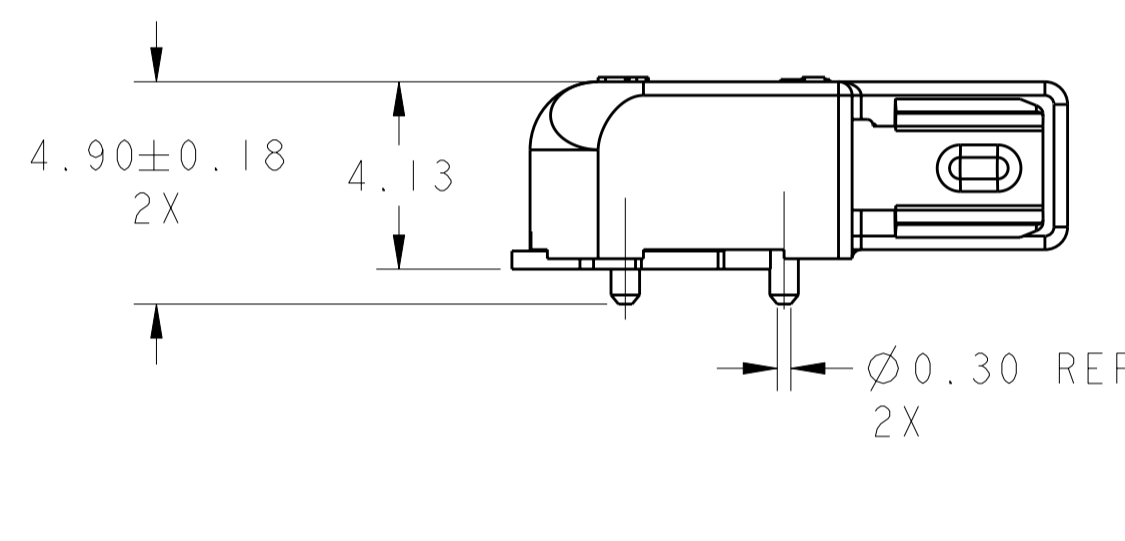
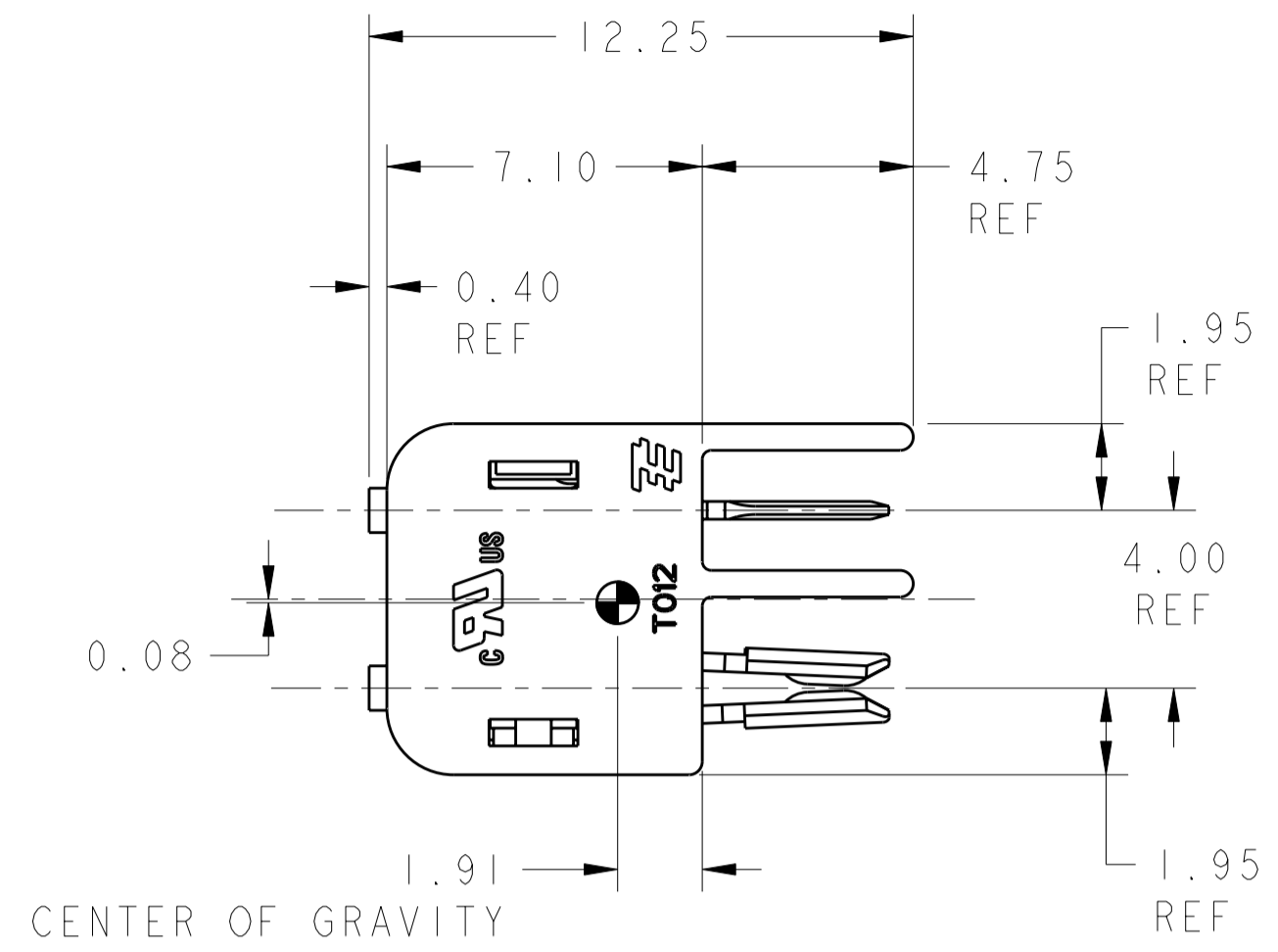


THIS DRAWING IS UNPUBLISHED. RELEASED FOR PUBLICATION 20
 © COPYRIGHT 20 ALL RIGHTS RESERVED.

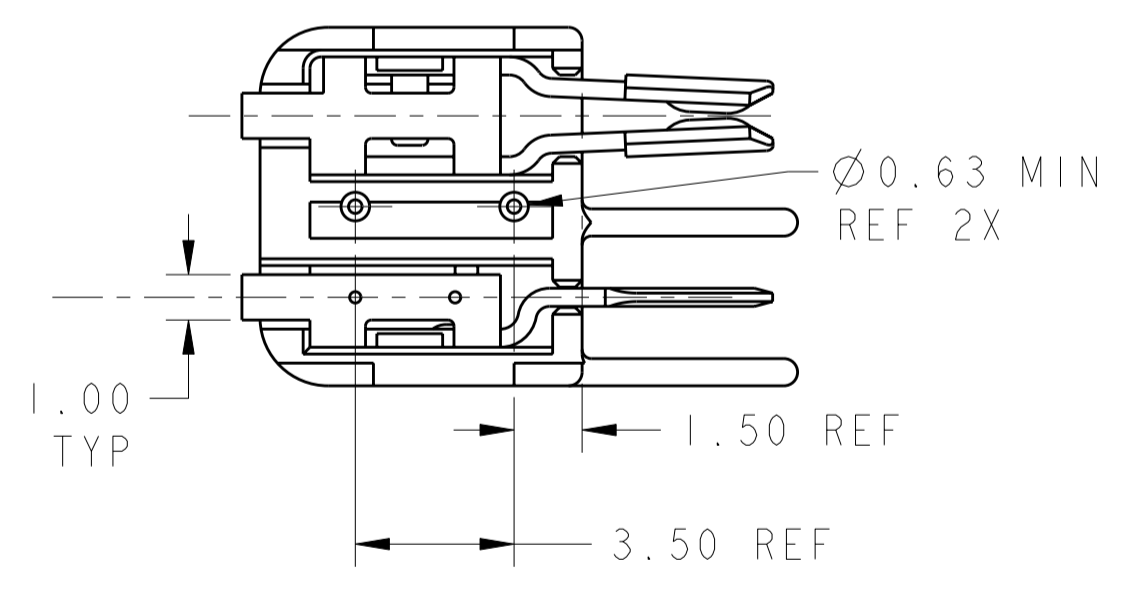
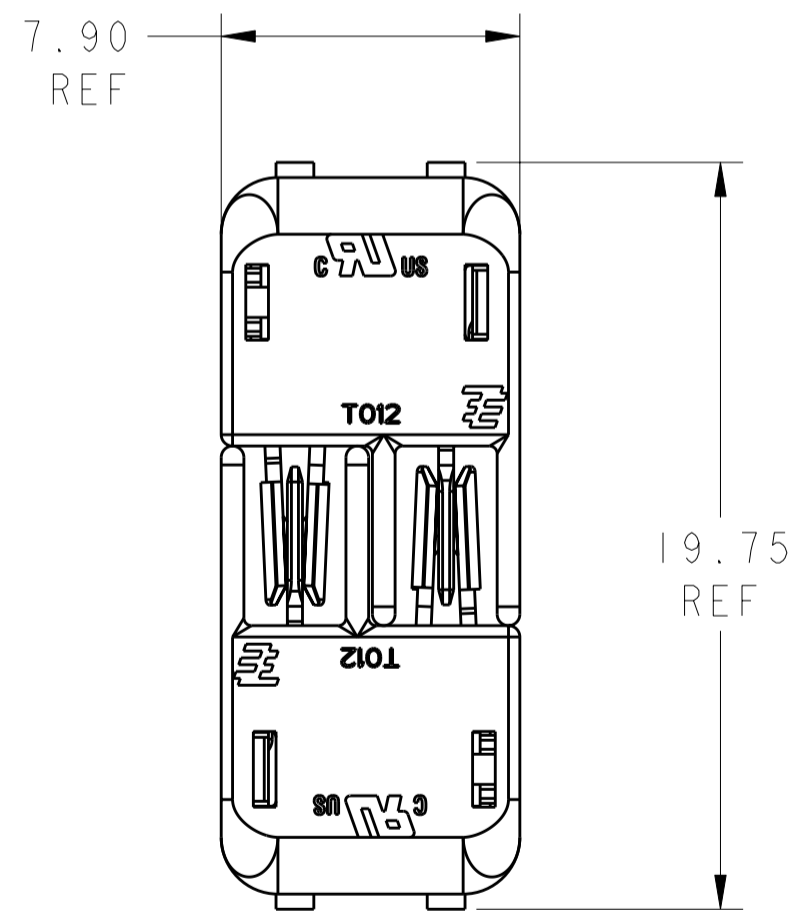
LOC		DIST		REVISIONS			
P	LTR	DESCRIPTION	DATE	DWN	APVD		
A1		REVISED PER ECR-10-015938	04AUG2010	HMR	DD		
A2		REVISED PER ECR-11-005777	23MAR2011	SK	DD		

NOTES:

- 1 MATERIALS AND FINISH
 - HOUSING: LCP
 - CONTACTS: COPPER ALLOY, FINISH: TIN
- 2 PRODUCT TO COMPLY WITH DIRECTIVE 2002/95/EC (ROHS)
- 3 PACKAGED IN TAPE AND REEL PER EIA-481 SPECIFICATION



2106212-1 SHOWN



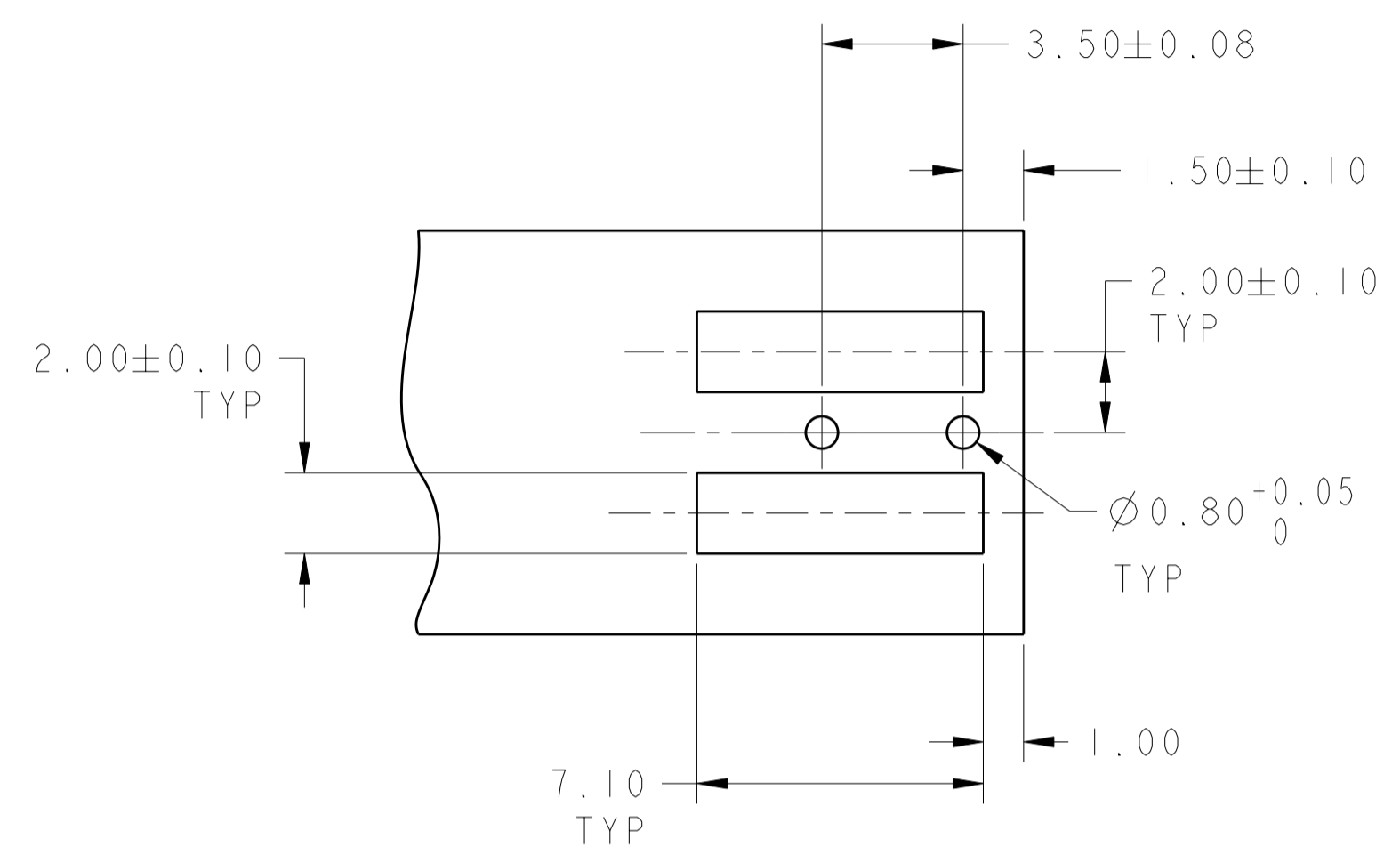
MATED PAIR SHOWN FOR REFERENCE

BLACK	2106212-2
NATURAL	2106212-1
COLOR	PART NO.

THIS DRAWING IS A CONTROLLED DOCUMENT.		DWN R_NARANG 12FEB2009	STE TE Connectivity	
		CHK R_NARANG 12FEB2009		
DIMENSIONS: mm		APVD -	NAME HERMAPHRODITIC BLADE AND RECEPTACLE CONNECTOR ASSEMBLY, WITH BOSS	
TOLERANCES UNLESS OTHERWISE SPECIFIED:		PRODUCT SPEC 108-2342	APPLICATION SPEC 114-13225	
0 PLC ±		APVD -	RESTRICTED TO	
1 PLC ±		WEIGHT -	SIZE A2	CAGE CODE 00779
2 PLC ±0.13		DRAWING NO. 2106212		
3 PLC ±0.013		SCALE 2:1		
4 PLC ±		SHEET 1 OF 2		
ANGLES ±°		REV A2		
FINISH		CUSTOMER DRAWING		

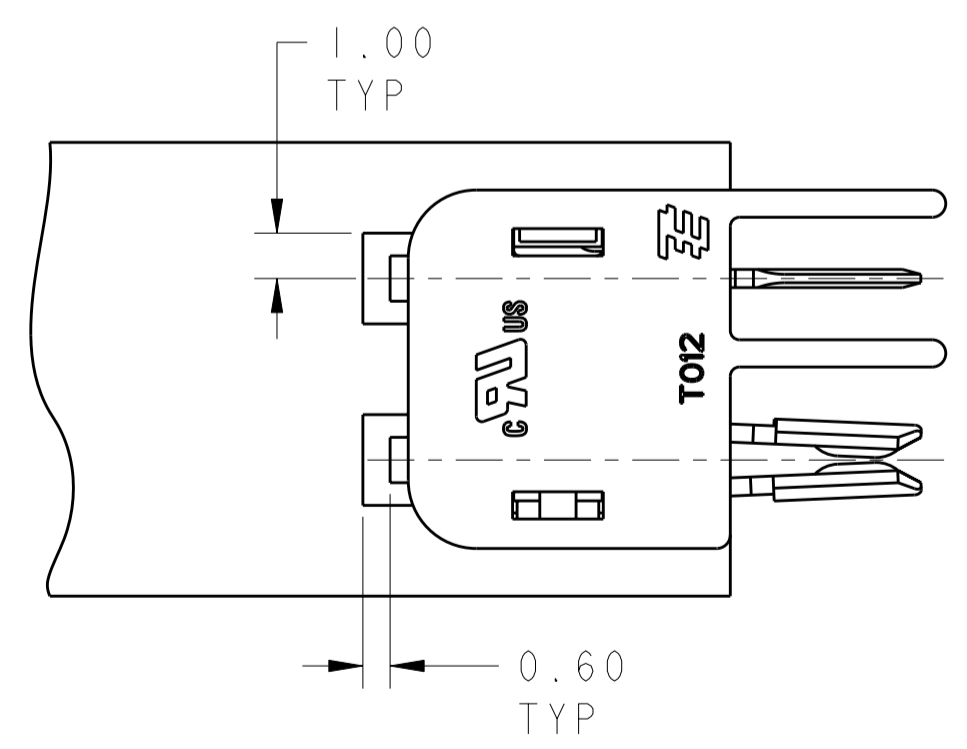
THIS DRAWING IS UNPUBLISHED. RELEASED FOR PUBLICATION 20
 © COPYRIGHT 20 ALL RIGHTS RESERVED.

LOC		DIST		REVISIONS			
P	LTR	DESCRIPTION	DATE	DWN	APVD		
-	-	SEE SHEET 1	-	-	-		

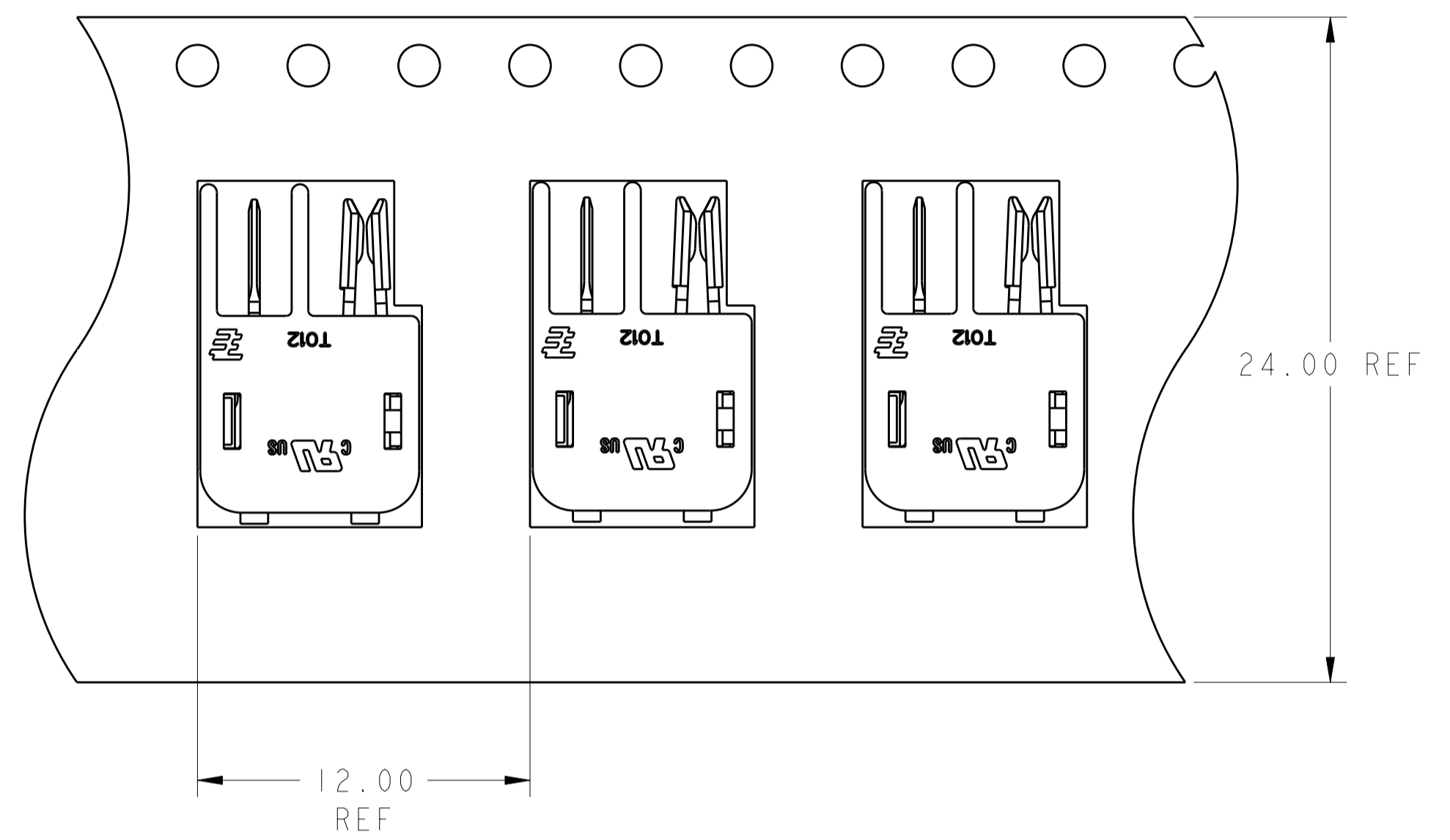


SCALE 6:1

RECOMMENDED PCB LAYOUT



SCALE 6:1



SCALE 5:1

PACKAGING OF 2106212-1

THIS DRAWING IS A CONTROLLED DOCUMENT.		DWN R. NARANG 12FEB2009	STE TE Connectivity	
		CHK R. NARANG 12FEB2009		
DIMENSIONS: mm		TOLERANCES UNLESS OTHERWISE SPECIFIED:		NAME HERMAPHRODITIC BLADE AND RECEPTACLE CONNECTOR ASSEMBLY, WITH BOSS
0 PLC ±		1 PLC ±		PRODUCT SPEC 108-2342
1 PLC ±		2 PLC ±0.13		APPLICATION SPEC 114-13225
2 PLC ±0.13		3 PLC ±		SIZE A200779
3 PLC ±0.013		4 PLC ±		CAGE CODE C-2106212
4 PLC ±		ANGLES ±°		DRAWING NO -
FINISH		WEIGHT		RESTRICTED TO -
-		-		SCALE 2:1
-		CUSTOMER DRAWING		SHEET 2 OF 2
-		-		REV A2