

GSM 850/900/1800/1900/2100MHz 2dBi FOR SMA MALE R/A



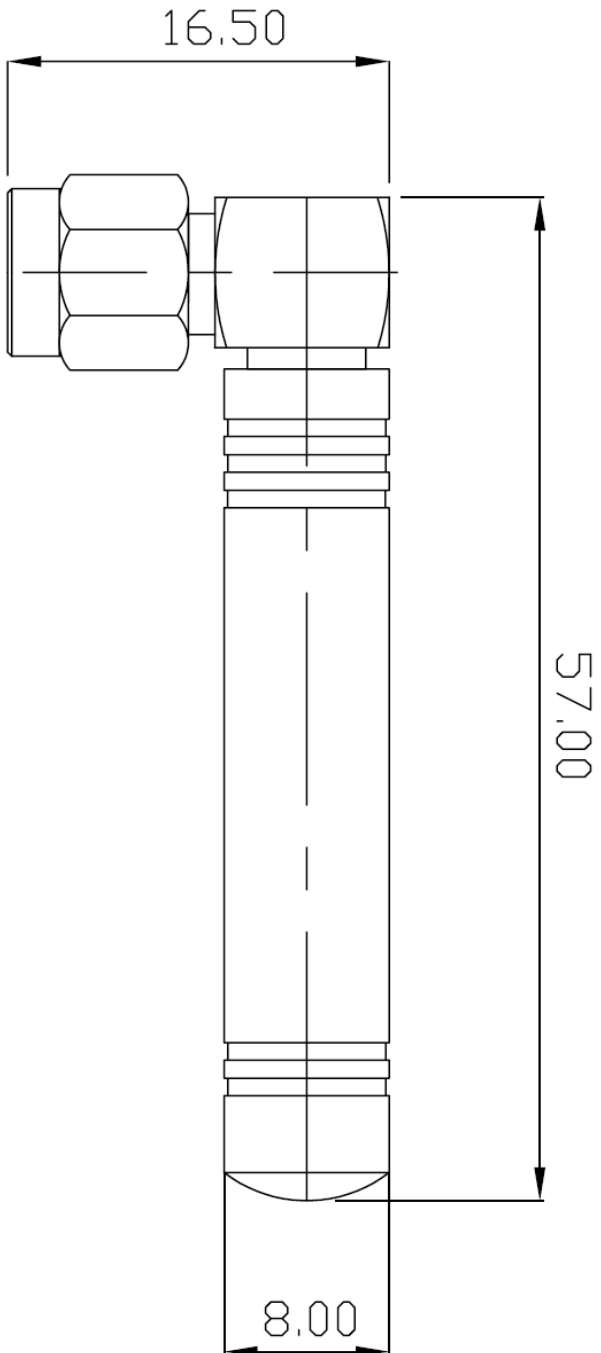
Specifications/Special Features :

Global System for Mobile Communication
850/900/1800/1900/2100 MHz phone antenna,
Broadband design for GSM/UMTS/WCDMA
systems.

Specification	
Model No.	GSM-02-SMRA
Frequency	850/900/1800/1900/2100 MHz
Gain	2 dBi
V.S.W.R	<=2:1
Polarization	Vertical
Connector	SMA Male Right Angle (Option)
Impedance	50Ω
Operation temperature	-20°C ~+60°C
Storage temperature	-30°C ~+75°C
Dimensions	L57 x W16.5 x H8 mm

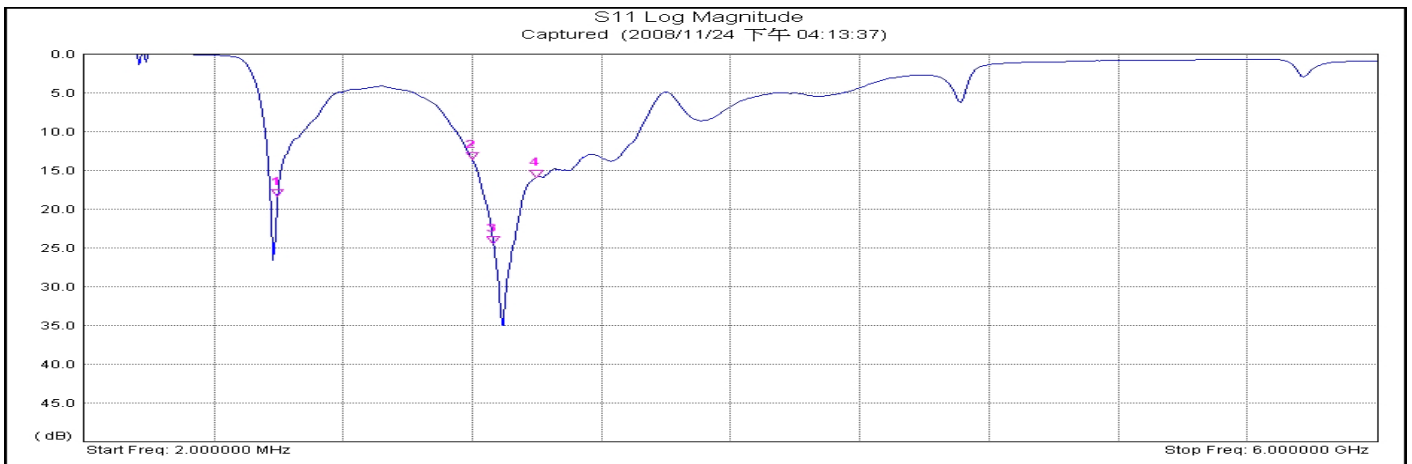
GSM-02-SMRA

850/900/1800/1900/2100MHz 2dBi FOR SMA MALE R/A



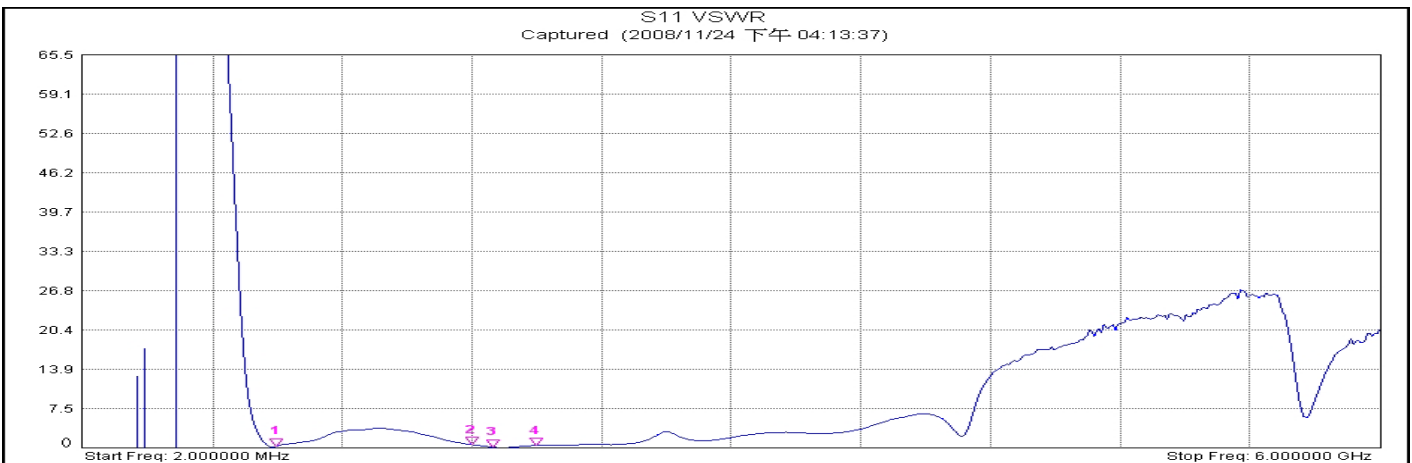
SMA MALE RIGHT ANGLE

1	FREQUENCY : 850/900/1800/1900/2100 MHz	6	IMPEDANCE : 50 Ω
2	GAIN : 2dBi	7	
3	V.S.W.R : <=2:1	8	
4	LENGTH : 57 mm	9	
5	CONNECTOR : SMA MALE R/A (Option)	10	



Mkr	Ref	Delta	Ref Freq	Ref Amp	Delta Freq	Delta Amp
1	<input type="checkbox"/>	<input type="checkbox"/>	896.2473 MHz	18.38 dB	--	--
2	<input type="checkbox"/>	<input type="checkbox"/>	1.8014 GHz	13.60 dB	--	--
3	<input type="checkbox"/>	<input type="checkbox"/>	1.8995 GHz	24.43 dB	--	--
4	<input type="checkbox"/>	<input type="checkbox"/>	2.0958 GHz	15.93 dB	--	--
5	<input type="checkbox"/>	<input type="checkbox"/>	--	--	--	--
6	<input type="checkbox"/>	<input type="checkbox"/>	--	--	--	--

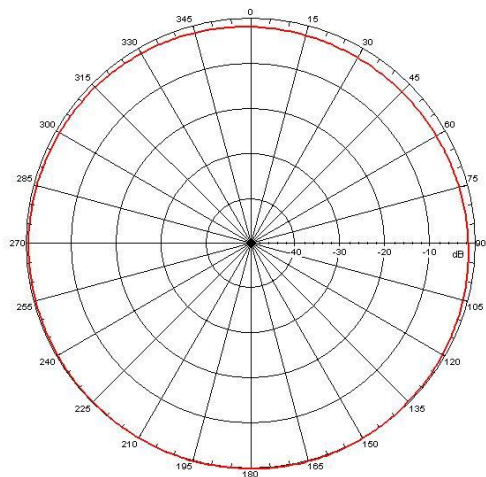
Measurement Parameters			
Calibration Status	On	Ref. Plane Leng	0
Cal Mode	Standard	Serial Number	651009
Data Points	551	Base Ver.	V1.48
Output Power	High	App Ver.	V1.48
Start Frequency	2.000000 MHz	Date	11/24/2008 4:13:37 PM
Stop Frequency	6.000000 GHz	Device Name	
Smoothing %	0		



Mkr	Ref	Delta	Ref Freq	Ref Amp	Delta Freq	Delta Amp
1	<input type="checkbox"/>	<input type="checkbox"/>	896.2473 MHz	1.27	--	--
2	<input type="checkbox"/>	<input type="checkbox"/>	1.8014 GHz	1.53	--	--
3	<input type="checkbox"/>	<input type="checkbox"/>	1.8995 GHz	1.13	--	--
4	<input type="checkbox"/>	<input type="checkbox"/>	2.0958 GHz	1.38	--	--
5	<input type="checkbox"/>	<input type="checkbox"/>	--	--	--	--
6	<input type="checkbox"/>	<input type="checkbox"/>	--	--	--	--

Measurement Parameters			
Calibration Status	On	Ref. Plane Leng	0
Cal Mode	Standard	Serial Number	651009
Data Points	551	Base Ver.	V1.48
Output Power	High	App Ver.	V1.48
Start Frequency	2.000000 MHz	Date	11/24/2008 4:13:37 PM
Stop Frequency	6.000000 GHz	Device Name	
Smoothing %	0		

H-PLANE



E-PLANE

