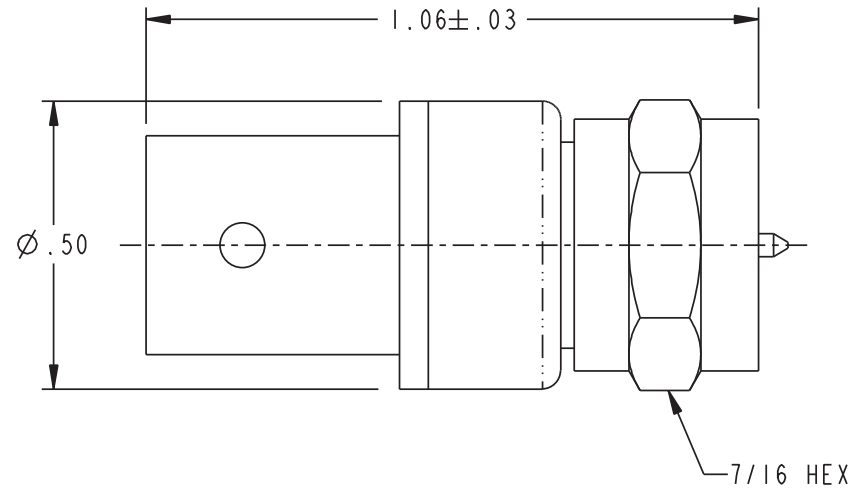
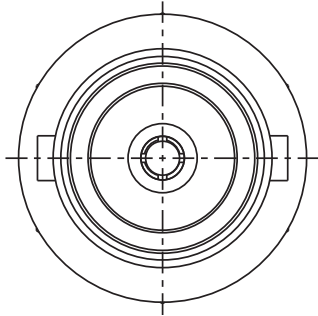
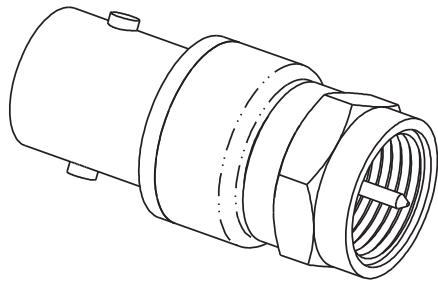


DATA CONTAINED IN THIS DOCUMENT IS PROPRIETARY TO EMERSON CONNECTIVITY SOLUTIONS AND SHALL NOT BE DISCLOSED, COPIED OR USED FOR PROCUREMENT OR MANUFACTURE WITHOUT EXPRESS WRITTEN PERMISSION

**REVISIONS**


REV	DESCRIPTIONS	DATE	APPROVED
B	REVISED PER ECO 14453	3/12/02	



2. FINISH  
HOUSING: TFS-1A (NICKEL)  
CONTACT: TFS-1B (GOLD)

1. BETWEEN SERIES 75Ω COAXIAL FEMALE BNC TO MALE 'F' ADAPTER

NOTES: UNLESS OTHERWISE SPECIFIED.

INTERPRET DRAWING PER MIL-STD-100. DIMENSIONS ARE IN INCHES AND INCLUDE FINISH THICKNESS UNLESS OTHERWISE SPECIFIED.		TOL: UNLESS SPECIFIED. .XX ± .02 .XXX ± .010 ANGLE ± 1°		 Cinch Connectivity Solutions 299 Johnson Ave. Ste. 100 Waseca, MN 56093 1-800-247-8256	
DRN JCM	3/5/02	MATERIAL:	TITLE:  AD1300		
CHK		FINISH:	SIZE <b>A</b>	CAGE CODE <b>14949</b>	DRAWING NO. C_1-0612
QUALITY			SCALE 3/1	DATE 11/6/01	REV. B
MANUF		DO NOT SCALE DWG	SHEET 1 OF 2		
APPROVED					
SURFACE AREA	PROJ FILE NO. 1-0612				