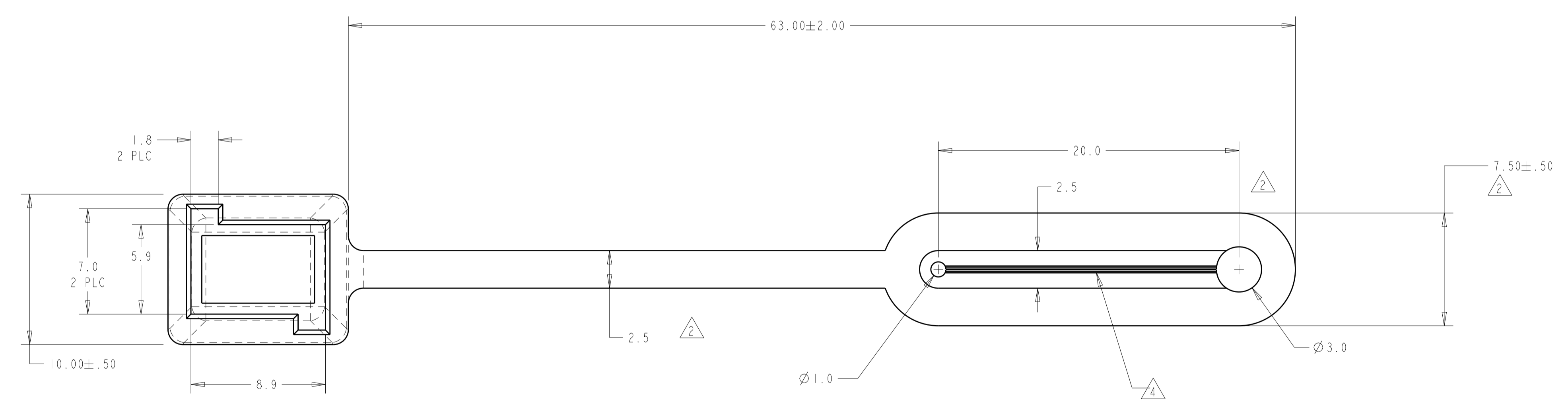
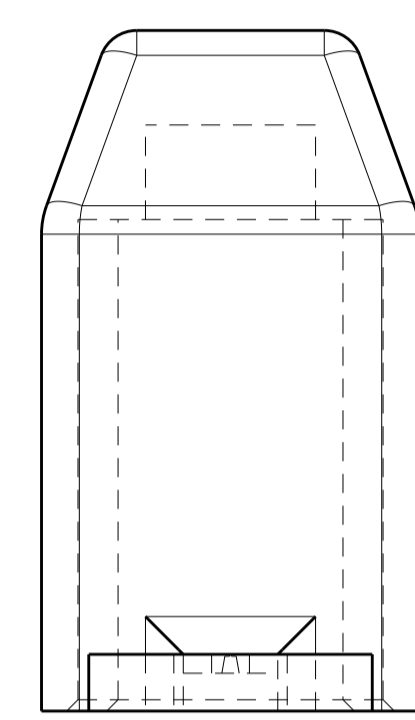


| LOC | DIST | REVISIONS | | | | | |
|-----|------|-----------|-----|---------------------------|-----------|-----|------|
| | | P. | LTN | DESCRIPTION | DATE | DWN | APVD |
| CE | 16 | B | | REV PER ECN DA00-0050-99 | 17JUL99 | SH | LB |
| | | BI | | REVISED PER ECO-09-025699 | 22DEC09 | KK | AEG |
| | | C | | REV PER ECO-012-013722 | 07AUG2012 | EH | DB |



- 1 MATERIAL: THERMOPLASTIC ELASTOMER
- 2 492577-1, -5, -9, -13 HAS NO STRAP. DIMENSIONS APPLY TO -2, -6, -10, -14 ONLY.
- 3 BULK PACKAGE 25 PCS.
- 4 SLOT TO OPEN UP TO FIT OVER MPX CONNECTOR
- 5. RETENTION FORCE WHEN MATED= 1/2 LB MIN
- 6 OBSOLETE PARTS: OBSOLETE CIS STREAMLINING PER D.RENAUD/D.SINISI

| OBsolete | COLOR | STRAP | PART NUMBER |
|----------|------------------|-------|-------------|
| | RED | YES | 1-492577-4 |
| | RED | NO 2 | 1-492577-3 |
| | BLUE | YES | 1-492577-0 |
| | BLUE | NO 2 | 492577-9 |
| | GREEN | YES | 492577-6 |
| | GREEN | NO 2 | 492577-5 |
| 3 | BLACK OR NATURAL | YES | 492577-2 |
| 3 | BLACK OR NATURAL | NO 2 | 492577-1 |

| | | | | | | | |
|------------------------------|--|--|--|--|--|--|--|
| DIMENSIONS: mm [INCHES] | | TOLERANCES UNLESS OTHERWISE SPECIFIED: 0 PLC ±.5 1 PLC ±.13 2 PLC ±.13 3 PLC ±.0001 4 PLC ±.0001 ANGLES ±.0001 | | DWN S. HILKER 17JUL99 CHK L. BARKUS 17JUL99 APVD K. MONROE 17JUL99 | | Tyco Electronics Harrisburg, PA 17105-3608 | |
| MATERIAL: - FINISH: - | | WEIGHT: - CUSTOMER DRAWING | | NAME: DUST COVER, MPX PLUG PRODUCT SPEC: - APPLICATION SPEC: - | | SIZE: A1 CAGE CODE: 00779 DRAWING NO: 492577 | |
| SCALE: 5:1 | | | | SHEET: 1 OF 1 | | REV: C | |